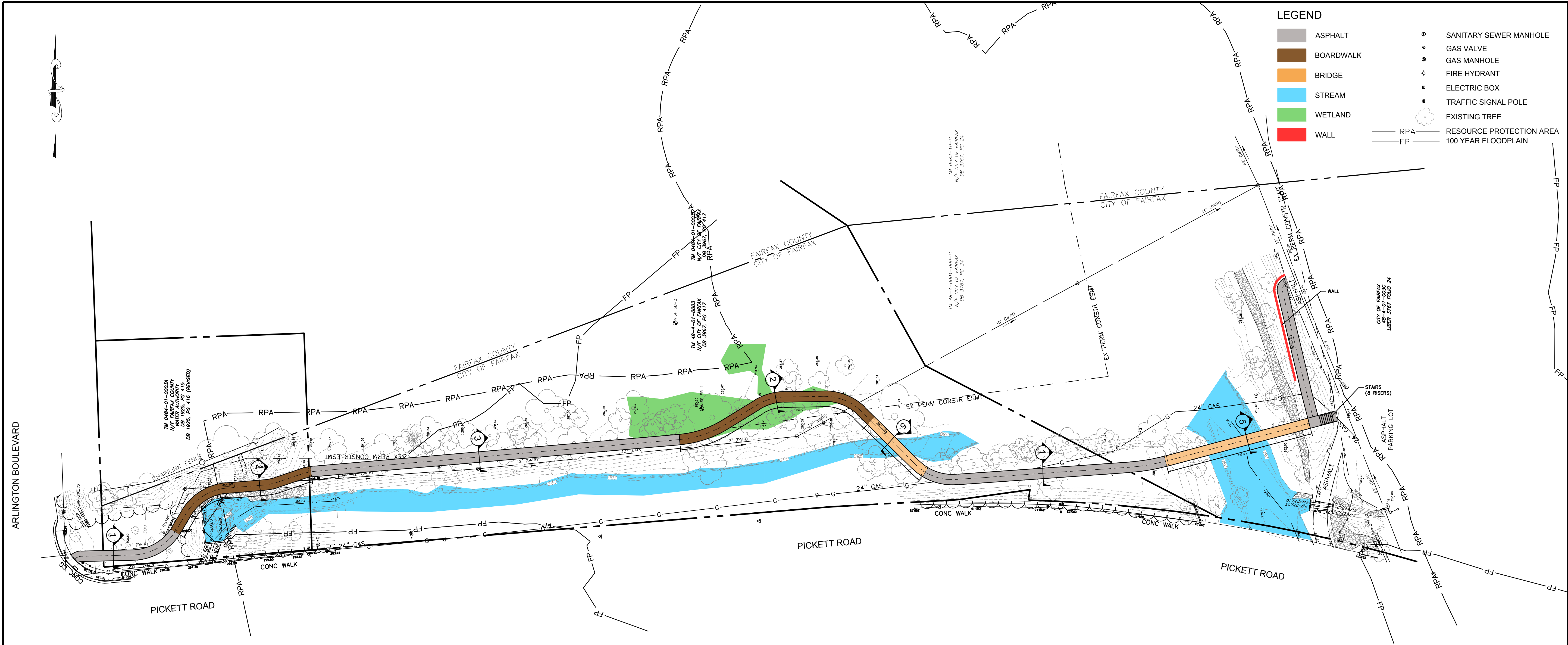




**PICKETT ROAD  
CONNECTOR TRAIL**  
CITY OF FAIRFAX, VA

**SCHEMATIC DESIGN**  
NOT FOR CONSTRUCTION



**LEGEND**

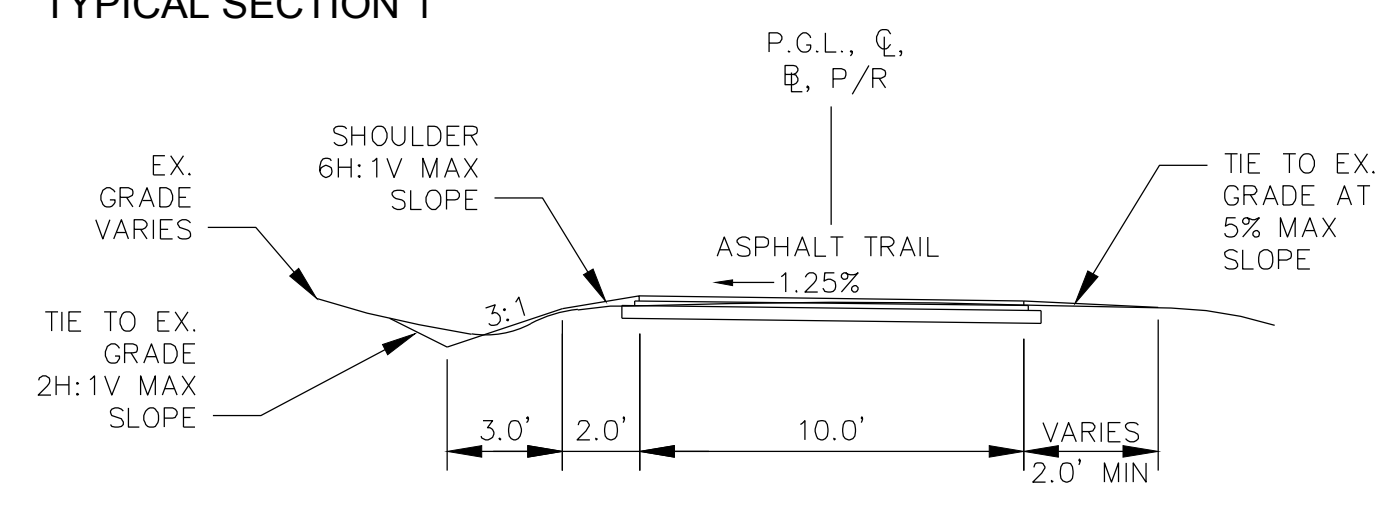
- ASPHALT
- BOARDWALK
- BRIDGE
- STREAM
- WETLAND
- WALL
- SANITARY SEWER MANHOLE
- GAS VALVE
- GAS MANHOLE
- FIRE HYDRANT
- ELECTRIC BOX
- TRAFFIC SIGNAL POLE
- EXISTING TREE
- RPA
- FP
- RESOURCE PROTECTION AREA
- 100 YEAR FLOODPLAIN

ARLINGTON BOULEVARD

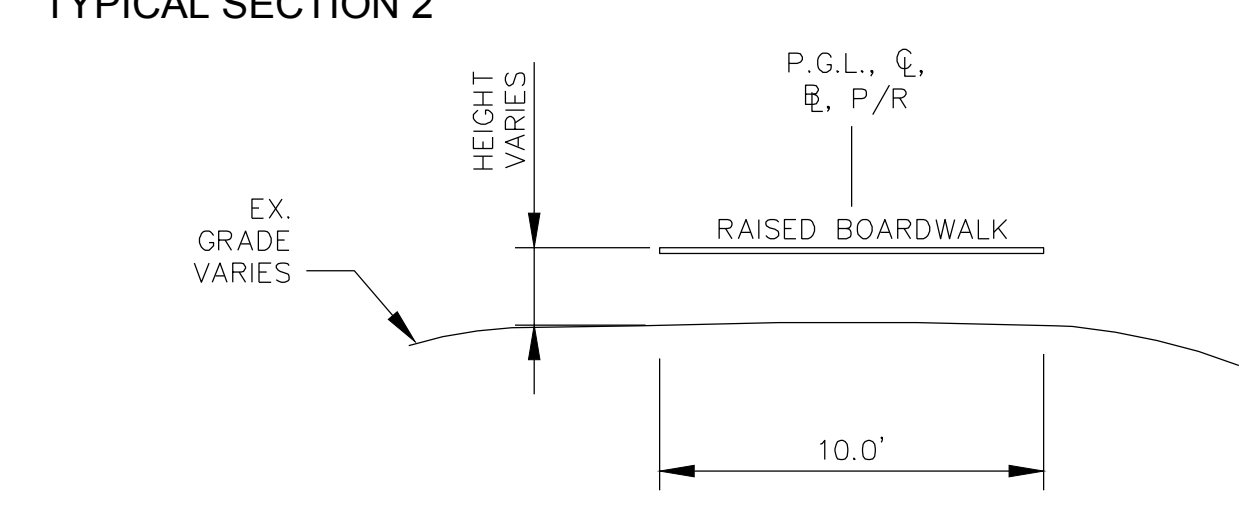
PICKETT ROAD

PICKETT ROAD

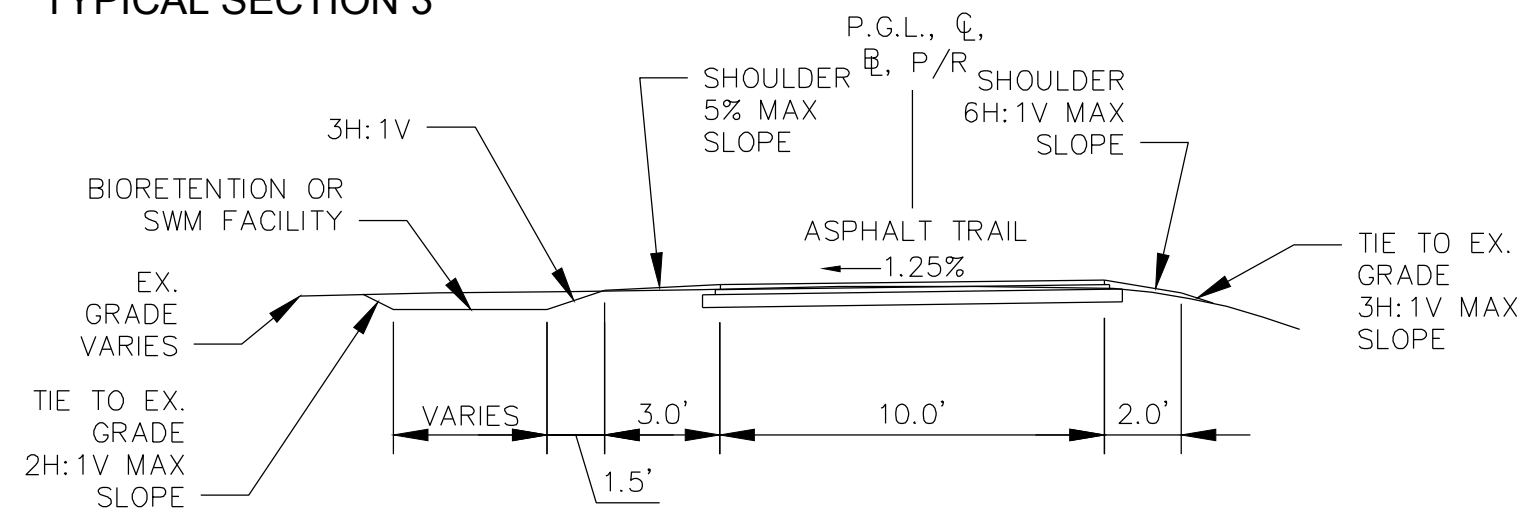
**TYPICAL SECTION 1**



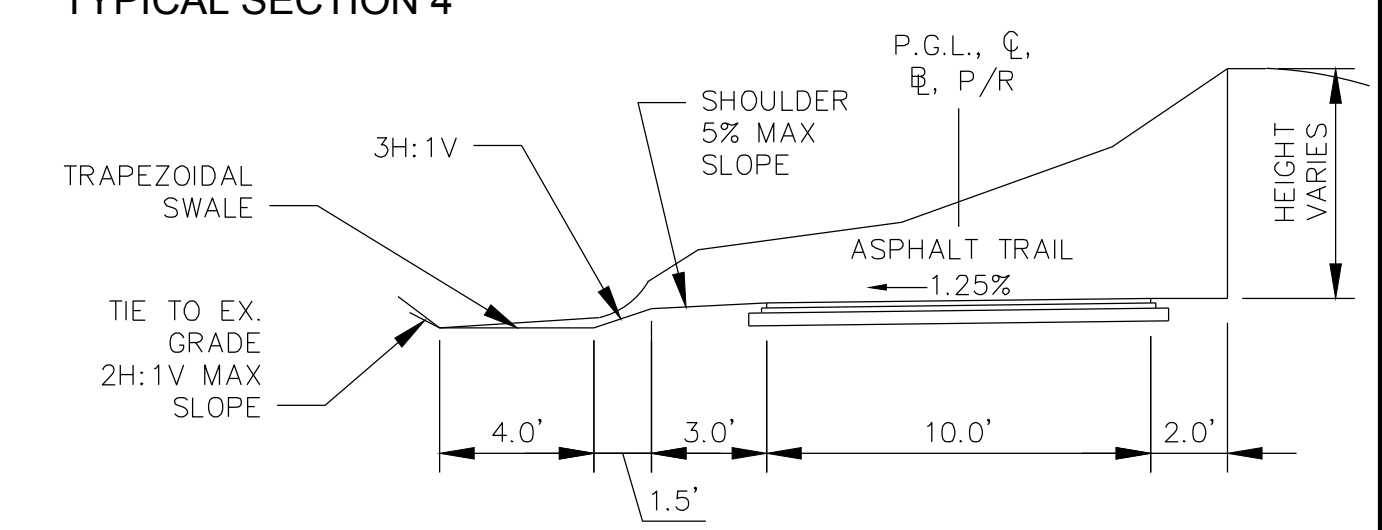
**TYPICAL SECTION 2**



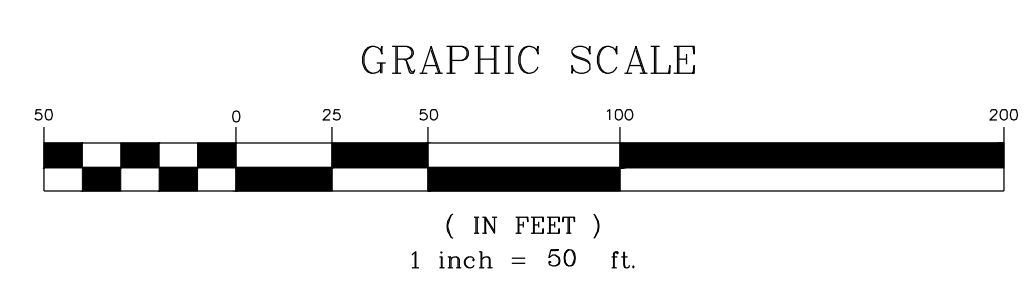
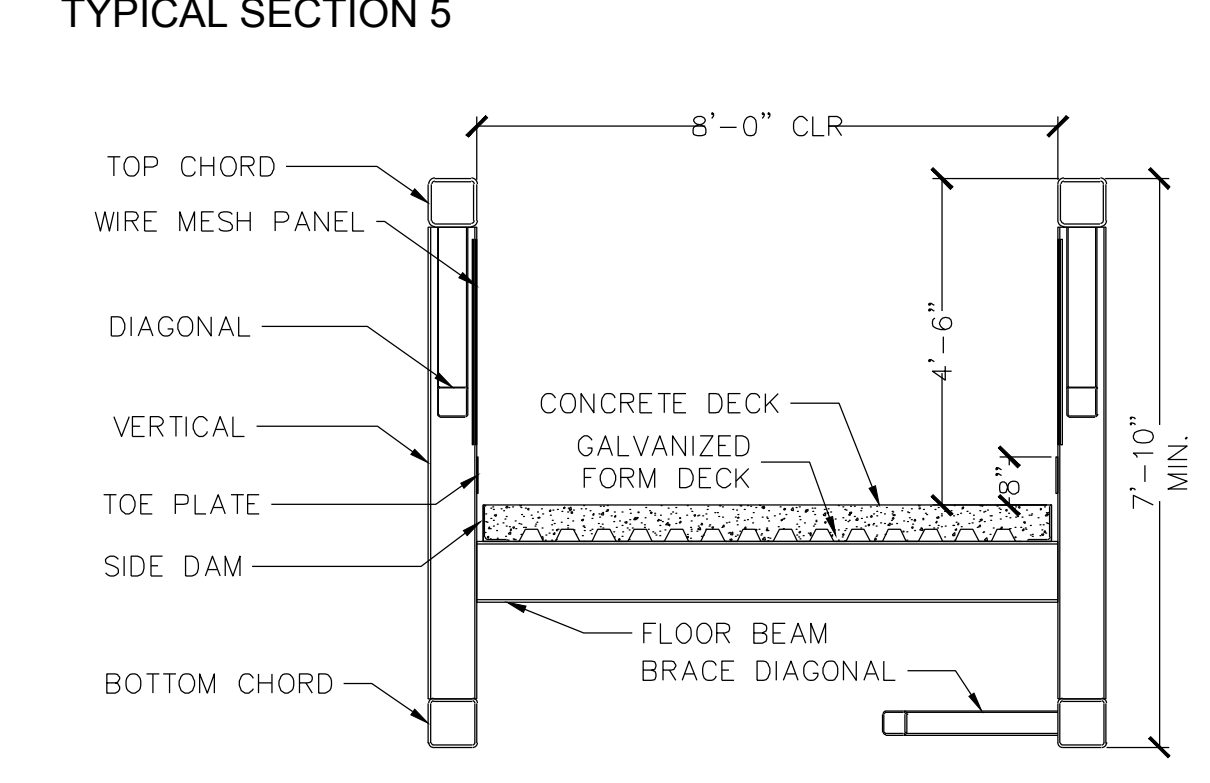
**TYPICAL SECTION 3**



**TYPICAL SECTION 4**



**TYPICAL SECTION 5**



PERMATRAK CONCRETE BOARDWALK



BRIDGE OVER STREAM

MARK	DATE	DESCRIPTION

PROJECT NO:	18-0290.001
SCALE:	1" = 50'
DESIGNED BY:	AMT
DRAWN BY:	AMT
CHECKED BY:	AMT
SHEET TITLE:	TRAIL ALIGNMENT