



# Cutoff Acorn

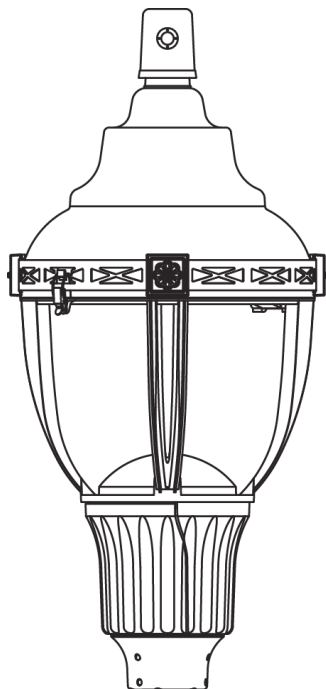
These Cutoff luminaire options are a dark-skies friendly alternative to various fixture styles.

Comparable HID Wattage	Finish Color	Initial Lamp Lumens	Lighting Pattern	Correlated Color Temperature (CCT)	Input Wattage	Billing Tier	Basic / Premium	Recommended Mounting Height (ft.)	BUG Rating	Luminaire Stock #	WMIS CU Code
70	Black	3551	Type III	3000K	47	2	Premium	10 - 12	1-0-1	42315978	LEDACCO0333BXXX
100	Black	5063	Type III	3000K	70	3	Premium	12 - 16	1-0-1	42315866	LEDACCO0533BXXX
150	Black	6513	Type III	3000K	95	4	Premium	12 - 16	2-0-2	42315977	LEDACCO0733BXXX

Catalog Number	
Notes	Type

## WFCL2

Utility Washington Series Luminaire  
Full Cutoff LED2



### Mechanical

- Heavy grade A360 cast aluminum (<1% copper)
- Tool-less access with a spring-loaded latch
- Hidden hinge door allowing the door to swing open and remain open
- Optional internal or external NEMA twist lock photocontrol receptacle. Housing contains a tempered glass window to allow light to reach the cell for internal versions.
- Mount to slip-fitter that will accept 3" high by 2-7/8" to 3-1/8" O.D. pole tenon
- Decorative top cover contains stainless steel hinge which secures entry the LED optical chamber
- Polyester power coat paint to ensure maximum durability
- Finish meets 5,000-hour salt spray testing
- HoloPhane and RAL Classic finishes.

### Electrical

- All surge protection meets ANSI/IEEE C62.41.2 10kV/10kA.
- Standard SPD meets 10kV/5kA per ANSI C136.2-2015.
- 20KV Option meets 20kV/10kA per ANSI C136.2-2015.
- Quick disconnect connectors for ease of installation and maintenance.
- Three pole terminal block is standard, with optional prewired leads for ease of installation
- LLED drivers meet maximum total harmonic distortion (THD) of 20%, >0.90 Power Factor and are ROHS compliant. Minimum operating temperature is -40C. Electronic driver has an estimated minimum life of 100,000 hours at 25°C.

### Optical

- IP65 rated optical compartment
- LED circuit board located in the top cover
- Asymmetric or Symmetric full cutoff distributions
- 2700K, 3000K, 4000K, and 5000K CCT
- 70CRI Standard

### Control Options

- Field Adjustable Output (AO) module - Onboard device that adjusts the light output and input wattage to meet site specific requirements. The AO module is preset at the factory to position number 8 (see chart).
- Wireless remote control for monitoring performance and/or maintenance of the system – ROAM
- Factory Programmed Driver (FPDxx) - Customize lumen output prior to manufacturing and still enables control leads so other options can also be used
- Long Life Photocontrols (PCLL) - 20 Year Life
- 3 and 7 pin photocontrol receptacles internally (P3, P7) or externally (P3E, P7E) mounted
- Part-night dimming (PND) enables luminaire to monitor and adjust 50% lumens based on season and geographic location, 8-day rolling average

### Testing/Compliance

- UL 1598 - Wet Locations Safety Listing
- Suitable for ambient temperatures -40°C to 40°C
- DesignLights Consortium® (DLC) qualified product. Not all versions of this product may be DLC qualified. Please check with the DLC Qualified Products List at [www.designlights.org/QPL](http://www.designlights.org/QPL) for updated list

### Manufacturing

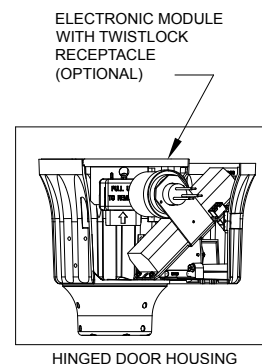
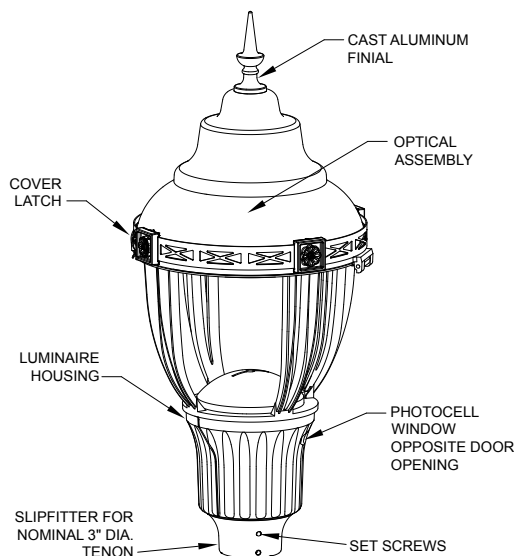
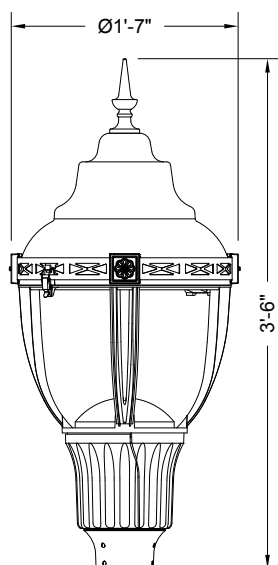
- Manufactured in Crawfordsville, Indiana, ARRA compliant
- 100% electrical testing on all luminaires before shipment
- Ten (10) years minimum experience in manufacturing LED based products

### Warranty

5-year limited warranty. Complete warranty terms located at: [www.acuitybrands.com/CustomerResources/Terms\\_and\\_Conditions.aspx](http://www.acuitybrands.com/CustomerResources/Terms_and_Conditions.aspx).

**Note:** Actual performance may differ as a result of end-user environment and application. All values are design or typical values, measured under laboratory conditions at 25°C. Specifications subject to change without notice.

## DIMENSIONAL DATA



Maximum Weight - 57 lbs  
Maximum Effective Projected Area - 1.72 sq. ft.

**ORDERING INFORMATION**

**Example:** WFCL2 P20 30K AS GN L2 N P73

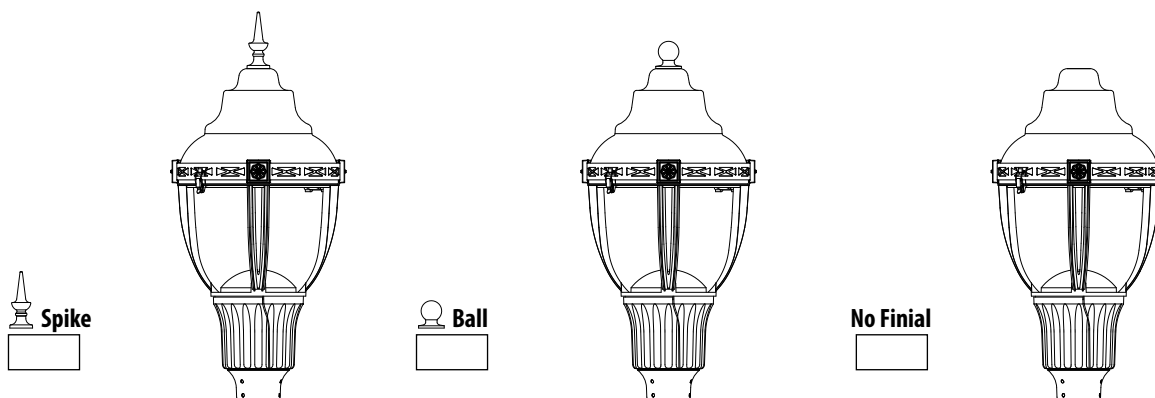
Series	Led performance package	LED Color temperature	Voltage	Housing color	Optics	Finial
WFCL2 Utility Washington LED FCO	P10 1,500 nominal lumens (amber only)	AM True amber 27K 2700K CCT	AS Auto-sensing voltage (120 thru 277) 50/60 HZ	BK Black GR Gray GH Graphite GN Green PP Prime paint WH White BZ Bronze TDC RAL Color color (RAL**) CMC Custom color match	L2 Type 2 distribution full cutoff	N None
	P20 4,500 nominal lumens	30K 3000K CCT			AH Auto-sensing voltage (347 thru 480) 50/60 HZ	L3 Type 3 distribution full cutoff
	P30 6,500 nominal lumens	40K 4000K CCT			L4 Type 4 distribution full cutoff	S Spike
	P40 8,500 nominal lumens	50K 5000K CCT			L5 Type 5 distribution full cutoff	
	P50 11,500 nominal lumens					

Options: Option Compatibility Matrix on page 3 of 4						
A0	Field Adjustable Output		P3E	NEMA Twist Lock Dimming Photocontrol Receptacle - 3 PIN. Externally mounted		L1H 1.5 ft prewired leads
DE	ROAM Hardware DecoNode and DCM Factory Installed		P7E	NEMA Twist Lock Dimming Photocontrol Receptacle - 7 PIN. Externally mounted		L03 3ft prewired leads
FPDxx	Factory Programmed Driver		RME	ROAM Node (External)		L10 10 ft prewired leads
P3	NEMA Twist Lock photocontrol receptacle - 3 PIN receptacle only.		RME3	347V ROAM NODE (External)		L20 20 ft prewired leads
P7	NEMA Twist Lock Dimming photocontrol receptacle - 7 PIN receptacle only.		RME4	480V ROAM NODE (External)		L25 25 ft prewired leads
PCS	DTL twistoff photocontrol for solid-state lighting 120-277V		PSC	Shorting cap		L30 30 ft prewired leads
PCLL	DTL long life twistlock photocontrol for solid-state AS		HSS	House side shield		NL1X1 NEMA Label 1" X 1"
P34	DTL long life twistlock photocontrol for solid-state 347V					NL2X2 NEMA Label 2" X 2"
P48	DTL long life twistlock photocontrol for solid-state 480V					20KV 20kV/10kA surge protection
PND	Part night dimming - down to 50%					

Accessories: Order as separate catalog number.	
XXCL2HSS1	Field Accessory - Louvered house side shield (Qty 1)
XXCL2HSSJ50	Field Accessory - Louvered house side shield (Bulk Qty 50)
XXCL2SPD10KAS	10kV/5kA Extreme surge 120-277V
XXCL2SPD10KAH	10kV/5kA Extreme surge 480V
XXCL2SPD20KAS	20kV/10kA Extreme surge 120-277VV
XXCL2SPD20KAH	20kV/10kA Extreme surge 480V

**FINIAL INFORMATION**

Mark Appropriate Box for Finial Options



**OPTIONS MATRIX**

Mounting		SELECTED OPTION (start here)																
		AO	DE	FPDxx	P3	P3E	P7	P7E	P34	P48	PCLL	PCS	PND	PSC	RME	RME3	RME4	20kV
LED Performance Package	P10	Y	Y	Y	Y	Y	Y	Y	Y	Y	Y	Y	Y	Y	Y	Y	Y	Y
	P20	Y	Y	Y	Y	Y	Y	Y	Y	Y	Y	Y	Y	Y	Y	Y	Y	Y
	P30	Y	Y	Y	Y	Y	Y	Y	Y	Y	Y	Y	Y	Y	Y	Y	Y	Y
	P40	Y	Y	Y	Y	Y	Y	Y	Y	Y	Y	Y	Y	Y	Y	Y	Y	Y
	P50	Y	N	Y	Y	Y	Y	Y	Y	Y	Y	Y	N	Y	Y	Y	Y	N
Voltage	AS	Y	Y	Y	Y	Y	Y	Y	N	N	Y	Y	Y	Y	Y	N	N	Y
	AH	Y	N	Y	Y	Y	Y	Y	Y	Y	Y	N	N	Y	N	Y	Y	Y
Finial	B	Y	Y	Y	Y	N	Y	N	Y	Y	Y	Y	Y	Y	N	N	N	Y
	S	Y	Y	Y	Y	N	Y	N	Y	Y	Y	Y	Y	Y	N	N	N	Y
	N	Y	Y	Y	Y	M	Y	M	Y	Y	Y	Y	Y	Y	M	M	M	Y
Compatible Options	AO		N	Y	Y	Y	F	F	Y	Y	Y	Y	N	Y	N	N	N	Y
	DE	N		Y	Y	N	N	N	N	N	N	N	N	Y	N	N	N	Y
	FPDxx	Y	Y		Y	Y	Y	Y	Y	Y	Y	Y	Y	Y	Y	Y	Y	Y
	P3	F	M	Y	N	N	N	N	Y	Y	Y	Y	M	Y	N	N	N	Y
	P3E	F	N	Y	N		N	N	Y	Y	Y	Y	N	Y	N	N	N	Y
	P7	F	N	Y	N	N		N	Y	Y	Y	Y	N	Y	N	N	N	Y
	P7E	F	N	Y	N	N	N		Y	Y	Y	Y	N	Y	I	I	I	Y
	P34	Y	N	Y	Y	Y	Y	Y		N	N	N	N	N	N	N	N	Y
	P48	Y	N	Y	Y	Y	Y	Y	N		N	N	N	N	N	N	N	Y
	PCLL	Y	N	Y	Y	Y	Y	Y	N	N		N	M	N	N	N	N	Y
	PCS	Y	N	Y	Y	Y	Y	Y	N	N	N		M	N	N	N	N	Y
	PND	N	N	Y	Y	N	N	N	N	N	M	M		Y	N	N	N	Y
	PSC	Y	N	Y	Y	Y	Y	Y	N	N	N	N	Y		N	N	N	Y
	RME	N	N	Y	N	N	N	Y	N	N	N	N	N	N		N	N	Y
	RME3	N	N	Y	N	N	N	Y	N	N	N	N	N	N	N		N	Y
	RME4	N	N	Y	N	N	N	Y	N	N	N	N	N	N	N	N		Y
20kV	Y	Y	Y	Y	Y	Y	Y	Y	Y	Y	Y	Y	Y	Y	Y	Y		

Y = Valid Option Combination

F = Future ready (wired with "AO", but could accept control device with tool-less field wiring)

M = Must have: one of these must be installed for the luminaire to operate

N = Combination Not available

**ROAM OPTION DETAILS**

**DE** = UL listed components without GPS capability, external antenna is black and includes ROAM capable node only, ROAM service package sold separately via Acuity Controls

**RME** = UL listed device without GPS capability, blue housing color, includes ROAM capable node only, ROAM service package sold separately via Acuity Controls and contact Acuity Controls for RME device with GPS capability or non-standard color

**RME3** = UL listed device without GPS capability, green housing color, includes ROAM capable node only, ROAM service package sold separately via Acuity Controls and contact Acuity Controls for RME device with GPS capability or non-standard color

**RME4** = UL listed device without GPS capability, yellow housing color, includes ROAM capable node only, ROAM service package sold separately via Acuity Controls and contact Acuity Controls for RME device with GPS capability or non-standard color

**LUMEN AMBIENT TEMPERATURE (LAT) MULTIPLIERS**

Use the factors to determine relative lumen output for average ambient temperatures from 0-40C (32-104F)

Ambient Temp (degrees C) Lumen Multiplier								
0	5	10	15	20	25	30	35	40
1.05	1.04	1.03	1.02	1.01	1.00	0.99	0.98	0.97

**PROJECTED LED LUMEN MAINTENANCE**

Data references the extrapolated performance projections for the platforms noted in 25C ambient, based on 6,000 hours of IED testing (tested per IESNA LM-80-08 and projected per IESNA TM-21-11). To calculate LLF, use the lumen maintenance factor that corresponds to the desired number of operating hours below. For other lumen maintenance values, contact factory.

Package	Lumen Maintenance						L70 Hrs
	25k hrs	36k hrs	50k hrs	60k hrs	75k hrs	100k hrs	
P20-P40	0.97	0.96	0.95	0.94	0.93	0.91	383,000
P50	0.96	0.94	0.93	0.91	0.90	0.87	267,667

PERFORMANCE DATA

LED Package	Distribution	System Watts	2700K		3000K		4000K		5000K	
			Lumens	LPW	Lumens	LPW	Lumens	LPW	Lumens	LPW
P20	L2	45	4174	93	4265	95	4701	104	4853	108
	L3	45	3756	83	3838	85	4230	94	4357	97
	L4	45	3968	88	4054	90	4468	99	4603	102
	L5	45	4120	92	4210	94	4640	103	4780	106
P30	L2	66	5952	90	6082	92	6703	102	6905	105
	L3	66	5355	81	5472	83	6031	91	6213	94
	L4	66	5657	86	5781	88	6371	97	6563	99
	L5	66	5874	89	6002	91	6615	100	6815	103
P40	L2	89	7656	86	7823	88	8622	97	8882	100
	L3	89	6888	77	7038	79	7757	87	7991	90
	L4	89	7277	82	7436	84	8195	92	8442	95
	L5	89	7667	85	7721	87	8509	96	8766	98
P50	L2	139	11058	80	11300	81	12454	90	12830	92
	L3	139	9959	72	10166	73	11205	81	11543	83
	L4	139	10511	76	10740	77	11837	85	12195	88
	L5	139	10914	79	11152	80	12291	88	12662	91

FPDXX DATA OPTIONS

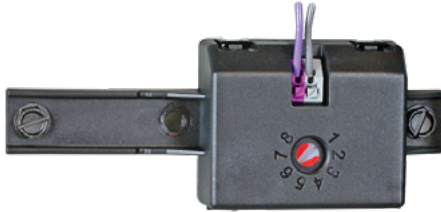
FPDxx Setting	Wattage	P20 27K				P20 30K				P20 40K				P20 50K			
		L2	L3	L4	L5	L2	L3	L4	L5	L2	L3	L4	L5	L2	L3	L4	L5
Standard	45	4174	3756	3968	4120	4265	3838	4054	4210	4701	4230	4468	4640	4843	4357	4603	4780
FPD95	43	3966	3568	3769	3914	4052	3646	3852	3999	4466	4018	4245	4408	4601	4139	4373	4541
FPD90	41	3757	3380	3571	3708	3839	3454	3649	3789	4231	3807	4021	4176	4359	3921	4143	4302
FPD85	38	3548	3192	3372	3502	3626	3262	3446	3578	3996	3595	3798	3944	4117	3704	3913	4063
FPD80	36	3339	3004	3174	3296	3412	3070	3243	3368	3761	3384	3575	3712	3874	3486	3683	3824

FPDxx Setting	Wattage	P30 27K				P30 30K				P30 40K				P30 50K			
		L2	L3	L4	L5	L2	L3	L4	L5	L2	L3	L4	L5	L2	L3	L4	L5
Standard	66	5952	5355	5657	5874	6082	5472	5781	6002	6703	6031	6371	6615	6905	6213	6563	6815
FPD95	63	5654	5087	5374	5580	5778	5198	5492	5702	6368	5729	6053	6285	6560	5902	6235	6474
FPD90	59	5357	4819	5092	5287	5474	4925	5203	5402	6033	5428	5734	5954	6215	5591	5907	6134
FPD85	56	5059	4552	4809	4993	5170	4651	4914	5102	5698	5126	5415	5623	5870	5281	5579	5793
FPD80	53	4762	4284	4526	4699	4865	4377	4625	4802	5362	4825	5097	5292	5524	4970	5251	5452
FPD75	50	4464	4016	4243	4406	4561	4104	4336	4502	5027	4523	4778	4962	5179	4660	4923	5111
FPD70	46	4166	3748	3960	4112	4257	3830	4046	4202	4692	4221	4460	4631	4834	4349	4594	4771

FPDxx Setting	Wattage	P40 27K				P40 30K				P40 40K				P40 50K			
		L2	L3	L4	L5	L2	L3	L4	L5	L2	L3	L4	L5	L2	L3	L4	L5
Standard	89	7656	6888	7277	7556	7823	7038	7436	7721	8622	7757	8195	8509	8882	7991	8442	8766
FPD95	85	7273	6543	6913	7178	7432	6686	7064	7335	8191	7369	7785	8084	8438	7592	8020	8328
FPD90	80	6890	6199	6549	6800	7041	6334	6692	6949	7760	6891	7375	7658	7994	7192	7598	7889
FPD85	76	6507	5855	6185	6422	6649	5982	6320	6562	7329	6593	6966	7233	7550	6792	7176	7451
FPD80	71	6125	5510	5821	6045	6258	5631	5948	6176	6897	6206	6566	6807	7106	6393	6754	7013

FPDxx Setting	Wattage	P50 27K				P50 30K				P50 40K				P50 50K			
		L2	L3	L4	L5	L2	L3	L4	L5	L2	L3	L4	L5	L2	L3	L4	L5
Standard	139	11058	9949	10511	10914	11300	10166	10740	11152	12454	11205	11837	11291	12830	11543	12195	12662
FPD95	132	10506	9452	9985	10368	10735	9658	10203	10594	11831	10644	11245	11677	12188	10966	11585	12029
FPD90	125	9953	8954	9460	9822	10170	9150	9666	10037	11209	10084	10654	11062	11547	10389	10975	11396
FPD85	118	9400	8457	8934	9277	9605	8641	9129	9479	10586	9524	10062	10447	10905	9811	10365	10763
FPD80	111	8847	7959	8409	8731	9040	8133	8592	8922	9963	8964	9470	9833	10264	9234	9756	10130

## COMPONENTS & OPTIONS DATA



**A0**  
Manual field adjustable output dimming device



**RME (External)**  
Remote Asset Management Control Dimming Device  
*(specify with receptacle)*



**DE**  
Remote Asset Management Control Decorative Node  
*(specify with P3 receptacle)*



**20kV**  
Safeguard your investment from extreme voltage spikes with our new Extreme 20kV/10kA SPD



**HSS**  
*Minimize backlight with a louvered house-side-shield. Available as a factory option or field accessory*