



# Shoebox (400W-1000W EQ)

The Shoebox luminaire provides a full cut-off distribution for lighting roadways and parking areas.

Comparable HID Wattage	Finish Color	Initial Lamp Lumens	Lighting Pattern	Correlated Color Temperature (CCT)	Input Wattage	Billing Tier	B-U-G Rating	Recommended Mounting Height (ft.)	Luminaire Stock #	WMIS CU Code
400	Gray	23400	Type III	3000K	204	7	3-0-4	30 - 40	42329993	LEDSBBA2233GXXX
400	Black	23400	Type III	3000K	204	7	3-0-4	30 - 40	42337110	LEDSBBA2233BXXX
400	Gray	23421	Type IV	3000K	204	7	3-0-4	30 - 40	42329994	LEDSBBA2243GXXX
400	Black	23421	Type IV	3000K	204	7	3-0-4	30 - 40	42337111	LEDSBBA2243BXXX
400	Black	25520	Type III	4000K	204	7	3-0-4	30 - 40	42342705	LEDSBBA2234BXXX
400	Gray	25423	Type III	4000K	204	7	3-0-4	30 - 40	42315787	LEDSBBA2234GXXX
400	Black	25520	Type IV	4000K	204	7	3-0-4	30 - 40	42342706	LEDSBBA2244BXXX
400	Gray	25423	Type IV	4000K	204	7	3-0-4	30 - 40	42315788	LEDSBBA2244GXXX
1000	Gray	30230	Type III	3000K	291	10	3-0-5	35 - 40	42329995	LEDSBBA3233GXXX
1000	Black	30230	Type III	3000K	291	10	3-0-5	35 - 40	42337112	LEDSBBA3233BXXX
1000	Gray	30221	Type IV	3000K	291	10	3-0-5	35 - 40	42329996	LEDSBBA3243GXXX
1000	Black	30221	Type IV	3000K	291	10	3-0-5	35 - 40	42337113	LEDSBBA3243BXXX
1000	Black	32709	Type III	4000K	291	10	3-0-5	35 - 40	42342827	LEDSBBA3234BXXX
1000	Gray	32527	Type III	4000K	291	10	3-0-5	35 - 40	42315779	LEDSBBA3234GXXX
1000	Black	32709	Type IV	4000K	291	10	3-0-5	35 - 40	42342828	LEDSBBA3244BXXX
1000	Gray	32527	Type IV	4000K	291	10	3-0-5	35 - 40	42315780	LEDSBBA3244GXXX

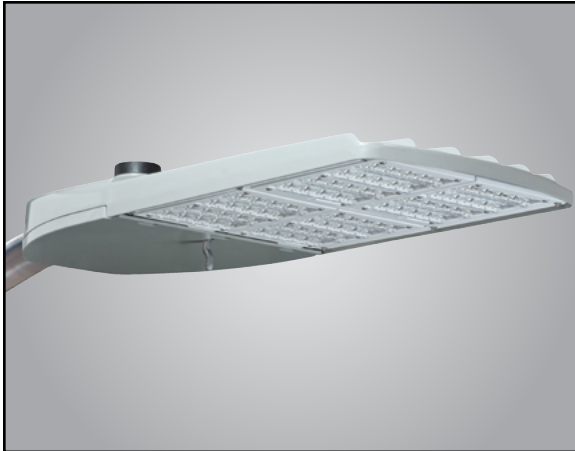


Consistent with LEED® goals & Green Globes™ criteria for light pollution reduction

# Autobahn Series ATB2

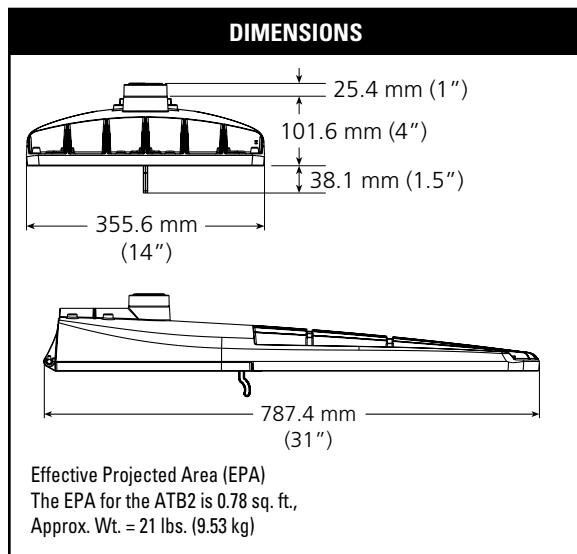
## Roadway Lighting

### PRODUCT OVERVIEW



### Applications:

- Roadways
- Off ramps
- Residential streets
- Parking lots



### STANDARDS

DesignLights Consortium® (DLC) qualified product. Not all versions of this product may be DLC qualified. Please check the DLC Qualified Products List at [www.designlights.org/QPL](http://www.designlights.org/QPL) to confirm which versions are qualified.

Color temperatures of  $\leq 3000\text{K}$  must be specified for International Dark-Sky Association certification.

Rated for  $-40^{\circ}\text{C}$  to  $40^{\circ}\text{C}$  ambient.

CSA Certified to U.S. and Canadian standards  
Complies with ANSI: C136.2, C136.10, C136.14, C136.31, C136.15, C136.37

Note: Specifications subject to change without notice.

Autobahn Series – AEL\_0109\_ATB2

### Features:

#### OPTICAL

**Same Light:** Performance is comparable to 250-400W HPS roadway luminaires.

**White Light:** Correlated color temperature - 4000K, 70 CRI minimum, 3000K, 70CRI minimum or optional 5000K, 70 CRI minimum.

Unique IP66 rated LED light engines provided 0% uplight and restrict backlight to within sidewalk depth, providing optimal application coverage and optimal pole spacing.

Available in Type II, III, IV, & V roadway distributions.

#### ELECTRICAL

**Expected Life:** LED light engines are rated  $>100,000$  hours at  $25^{\circ}\text{C}$ , L70. Electronic driver has an expected life of 100,000 hours at a  $25^{\circ}\text{C}$  ambient.

**Lower Energy:** Saves an average of 40-60% over comparable HPS platforms.

**Robust Surge Protection:** Three different surge protection options provide a minimum of ANSI C136.2 10kV/5kA protection. 20kV/10kA protection is also available.

#### MECHANICAL

**Easy to Maintain:** Includes standard AEL lineman-friendly features such as tool-less entry, 3 station terminal block and quick disconnects. Bubble level located inside the electrical compartment for easy leveling at installation.

Rugged die-cast aluminum housing is polyester powder-coated for durability and corrosion resistance. Rigorous five-stage pre-treating and painting process yields a finish that achieves a scribe creepage rating of 7 (per ASTM D1654) after over 5000 hours exposure to salt fog chamber (operated per ASTM B117).

Four-bolt mast arm mount is adjustable for arms from 1-1/4" to 2" (1-5/8" to 2-3/8" O.D.) diameter and provides a 3G vibration rating per ANSI C136.

Wildlife shield is cast into the housing (not a separate piece).

#### CONTROLS

NEMA 3 Pin photocontrol receptacle is standard, with the Acuity designed ANSI 7 Pin receptacle optionally available.

Premium solid state locking sale photocontrol - PCSS (10 year rated life). Extreme long life sold state locking style photocontrol - PCLL (20 year rated life).

Mult-level dimming available to provide scheduled dimming as specified by the customer.

Optional onboard Adjustable Output module allows the light output and input wattage to be modified to meet site specific requirements, and can also allow a single fixture to be flexibly applied in many different applications.

# Autobahn Series ATB2

## Roadway Lighting

### ORDERING INFORMATION

Example: ATB2 40LEDE70 MVOLT R2

Series	Performance Packages	Voltage	Optics
<b>ATB2</b> Autobahn LED Roadway	<b>40BLEDE70</b> 40B Chips, 700mA Driver <b>40BLEDE10</b> 40B Chips, 1050mA Driver <b>40BLEDE13</b> 40B Chips, 1300mA Driver <b>40BLEDE15</b> 40B Chips, 1500mA Driver <b>60BLEDE70</b> 60B Chips, 700mA Driver <b>60BLEDE85</b> 60B Chips, 850mA Driver <b>60BLEDE10</b> 60B Chips, 1050mA Driver <b>60BLEDE13</b> 60B Chips, 1300mA Driver <b>60BLEDE15</b> 60B Chips, 1500mA Driver <b>80BLEDE70</b> 80B Chips, 700mA Driver <b>80BLEDE85</b> 80B Chips, 850mA Driver <b>80BLEDE10</b> 80B Chips, 1050mA Driver <b>80BLEDE12</b> 80B Chips, 1200mA Driver <b>80BLEDE15</b> 80B Chips, 1500mA Driver	<b>MVOLT</b> Multi-volt, 120-277V <b>347</b> 347V <b>480</b> 480V	<b>R2</b> Roadway Type II <b>R3</b> Roadway Type III <b>R4</b> Roadway Type IV <b>R5</b> Roadway Type V

Options
---------

#### Color Temperature (CCT)

<b>(Blank)</b>	4000K CCT, 70 CRI Min.
<b>3K</b>	3000K CCT, 70 CRI Min.
<b>5K</b>	5000K CCT, 70 CRI Min.

#### Paint

<b>(Blank)</b>	Gray (Standard)
<b>BK</b>	Black
<b>BZ</b>	Bronze
<b>DDB</b>	Dark Bronze
<b>GI</b>	Graphite
<b>WH</b>	White

#### Surge Protection

<b>(Blank)</b>	Standard 10kV/5kA SPD
<b>20</b>	20kV/10KA SPD
<b>MP<sup>1</sup></b>	MOV Pack
<b>IL<sup>1</sup></b>	SPD with Indicator Light

#### Terminal Block

<b>(Blank)</b>	Terminal Block (Standard)
<b>T2</b>	Wired to L1 & L2 Positions

#### Misc.

<b>BL</b>	External Bubble Level
<b>HS</b>	House-Side Shield
<b>NL</b>	Nema Label
<b>XL</b>	Not CSA Certified
<b>HK</b>	Hingekeepers

#### Misc. (continued)

<b>UMR-XX</b>	8" Horizontal Arm for Round Pole, Painted to match Fixture
<b>UMS-XX</b>	8" Horizontal Arm for Square Pole, Painted to match Fixture
<b>UMR-GALV</b>	8" Horizontal Arm for Round Pole, Galvanized
<b>UMS-GALV</b>	8" Horizontal Arm for Square Pole, Galvanized

#### Controls

<b>(Blank)</b>	3 Pin NEMA Photocontrol Receptacle (Standard)
<b>P7<sup>2</sup></b>	7 Pin Photocontrol Receptacle (Dimmable Driver Included)
<b>NR</b>	No Photocontrol Receptacle
<b>AO<sup>2</sup></b>	Field Adjustable Output
<b>DM</b>	0V-10V Dimmable Driver (Controls by others)
<b>ML<sup>3,4</sup></b>	Multi-Level Dimming
<b>PCSS<sup>1</sup></b>	Solid State Lighting Photocontrol (120-277V)
<b>PCLL</b>	Solid State Long Life Photocontrol
<b>SH</b>	Shorting Cap

#### Packaging

<b>(Blank)</b>	Single Unit (Standard)
<b>JP</b>	Job Pack (24/Pallet)

#### Notes

1. Not available in 347 or 480V.
2. Not available with DM or ML options.
3. Not available with AO, DM or P7 options.
4. Dimming schedule and light level information required from the customer in order to configure product. Contact Infrastructure Technical Support to proceed.



AEL Headquarters, 3825 Columbus Road, Granville, OH 43023  
 www.americanelectricalighting.com

© 2014-2017 Acuity Brands Lighting, Inc. All Rights Reserved. ATB2 07/24/17

**Warranty** Five-year limited warranty. Complete warranty terms located at: [www.acuitybrands.com/CustomerResources/Terms\\_and\\_conditions.aspx](http://www.acuitybrands.com/CustomerResources/Terms_and_conditions.aspx)  
 Actual performance may differ as a result of end-user environment and application. All values are design or typical values, measured under laboratory conditions at 25 °C. Specifications subject to change without notice.

*Please contact your sales representative for the latest product information.*

# Autobahn Series ATB2

## Roadway Lighting

### PERFORMANCE PACKAGE

Performance Package	Drive Current (mA)	Input Watts	Optic	4000K CCT		LLD @ 25°C		
				Delivered Lumens	Efficacy (LPW)	50k Hours	75k Hours	100k Hours
40B	700	88	R2	11607	132	0.97	0.97	0.96
	1000	133		16360	123	0.95	0.93	0.92
	1300	171		19544	114	0.93	0.90	0.87
	1500	198		21384	108	0.93	0.90	0.87
	700	88	R3	11552	131	0.97	0.97	0.96
	1000	133		16249	122	0.95	0.93	0.92
	1300	171		19462	114	0.93	0.90	0.87
	1500	198		21331	108	0.93	0.90	0.87
	700	88	R4	11768	134	0.97	0.97	0.96
	1000	133		16593	125	0.95	0.93	0.92
	1300	171		19877	116	0.93	0.90	0.87
	1500	198		21799	110	0.93	0.90	0.87
	700	88	R5	12388	141	0.97	0.97	0.96
	1000	133		17499	132	0.95	0.93	0.92
	1300	171		20795	122	0.93	0.90	0.87
1500	198	22828		115	0.93	0.90	0.87	
60B	700	130	R2	18193	140	0.97	0.97	0.96
	850	165		21436	130	0.95	0.93	0.92
	1000	204		24940	122	0.95	0.93	0.92
	1300	254		29357	116	0.93	0.90	0.87
	1500	291		32052	110	0.93	0.90	0.87
	700	130	R3	17714	136	0.97	0.97	0.96
	850	165		21351	129	0.95	0.93	0.92
	1000	204		25520	125	0.95	0.93	0.92
	1300	254		29991	118	0.93	0.90	0.87
	1500	291		32709	112	0.93	0.90	0.87
	700	130	R4	17984	138	0.97	0.97	0.96
	850	165		21446	130	0.95	0.93	0.92
	1000	204		25423	125	0.95	0.93	0.92
	1300	254		29898	118	0.93	0.90	0.87
	1500	291		32527	112	0.93	0.90	0.87
	700	130	R5	18561	143	0.97	0.97	0.96
	850	165		22402	136	0.95	0.93	0.92
	1000	204		26128	128	0.95	0.93	0.92
1300	254	30964		122	0.93	0.90	0.87	
1500	291	33922		117	0.93	0.90	0.87	
80B	700	177	R2	23037	130	0.97	0.97	0.96
	850	214		27086	127	0.95	0.93	0.92
	1000	268		31920	119	0.95	0.93	0.92
	1200	330		36826	112	0.93	0.90	0.88
	1500	388		40326	104	0.91	0.87	0.83
	700	177	R3	23934	135	0.97	0.97	0.96
	850	214		26879	126	0.95	0.93	0.92
	1000	268		32416	121	0.95	0.93	0.92
	1200	330		37042	112	0.93	0.90	0.88
	1500	388		41858	108	0.91	0.87	0.83
	700	177	R4	23230	131	0.97	0.97	0.96
	850	214		27263	127	0.95	0.93	0.92
	1000	268		32329	121	0.95	0.93	0.92
	1200	330		37293	113	0.93	0.90	0.88
	1500	388		41611	107	0.91	0.87	0.83
	700	177	R5	24776	140	0.97	0.97	0.96
	850	214		28865	135	0.95	0.93	0.92
	1000	268		34319	128	0.95	0.93	0.92
1200	330	39552		120	0.93	0.9	0.88	
1500	388	44747		115	0.91	0.87	0.83	

**Note:** Information shown above is based on 4000K nominal system data. To calculate 3000K lumen values, multiply the 4000K lumens by .93. Individual fixture performance may vary. Specifications subject to change without notice.

ATB2 LLD Multiplier	15°C	20°C	25°C	30°C	35°C	40°C
	1.02	1.01	1	0.99	0.97	0.96

To calculate the LLD for a temperature other than 25°C, multiply the LLD @ 25°C (shown in the performance package table) by the LLD multiplier for the selected temperature.



AEL Headquarters, 3825 Columbus Road, Granville, OH 43023  
 www.americanelectricalighting.com  
 © 2014-2017 Acuity Brands Lighting, Inc. All Rights Reserved. ATB2 07/24/17

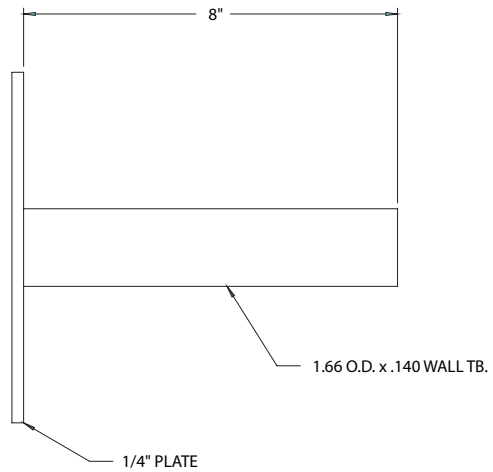
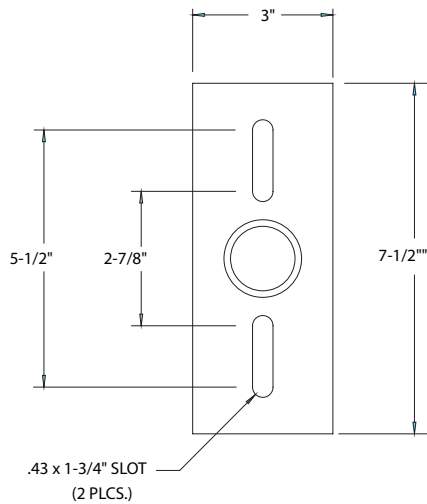
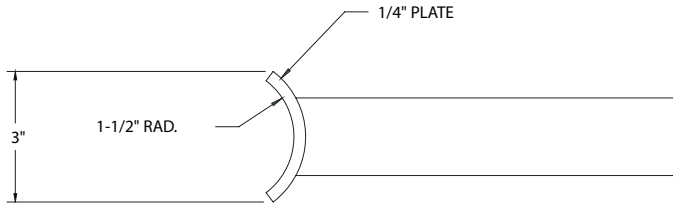
**Warranty** Five-year limited warranty. Complete warranty terms located at: [www.acuitybrands.com/CustomerResources/Terms\\_and\\_conditions.aspx](http://www.acuitybrands.com/CustomerResources/Terms_and_conditions.aspx)  
 Actual performance may differ as a result of end-user environment and application. All values are design or typical values, measured under laboratory conditions at 25 °C. Specifications subject to change without notice.

*Please contact your sales representative for the latest product information.*

# Autobahn Series ATB2 Roadway Lighting

## UMR POLE ADAPTOR

RECOMMENDED FOR USE WITH POLES OF 4" DIAMETER OR SMALLER



## UMS POLE ADAPTOR



AEL Headquarters, 3825 Columbus Road, Granville, OH 43023  
www.americanelectriclighting.com

© 2014-2017 Acuity Brands Lighting, Inc. All Rights Reserved. ATB2 07/24/17

**Warranty** Five-year limited warranty. Complete warranty terms located at:  
[www.acuitybrands.com/CustomerResources/Terms\\_and\\_conditions.aspx](http://www.acuitybrands.com/CustomerResources/Terms_and_conditions.aspx)  
Actual performance may differ as a result of end-user environment and application.  
All values are design or typical values, measured under laboratory conditions at 25 °C.  
Specifications subject to change without notice.

**Please contact your sales representative for the latest product information.**