
10460 – STREET LIGHTING

(Last Revised 4/26/21)

SELECTED LINKS TO SECTIONS WITHIN THIS SPECIFICATION

PART 1 – GENERAL

PART 2 – PRODUCTS [Street Light Materials](#)

PART 3 – EXECUTION [Signal and Traffic Management - Construction](#)

[PART 1](#) – GENERAL

1.1 RELATED DOCUMENTS

- A. Drawings and general provisions of the Contract, including General and Supplementary Conditions apply to this specification.
- B. Section 02200 – EARTHWORK
- C. Section 02275 – TRENCHING, BACKFILLING, & COMPACTION OF UTILITIES
- D. Section 02400 – CURB AND GUTTER, DRIVEWAYS, AND SIDEWALKS
- E. Section 02920 – SEEDING, SODDING, AND GROUND COVER
- F. AASHTO Standard Specifications for Structural Supports for Highway Signs, Luminaires, and Traffic Signals, latest revision.
- G. American National Standards Institute/Illuminating Engineering Society's (ANSI/IES) Recommended Practice for Design and Maintenance of Roadway and Parking Facility Lighting, latest version
- H. City of Fairfax Comprehensive Plan
- I. City of Fairfax Erosion and Sedimentation Control Ordinance
- J. City of Fairfax Old Town Fairfax Historic Overlay District Streetscape Standards
- K. VDOT Road and Bridge Specifications, latest revision.

1.1 SUMMARY

- A. This specification covers signals and traffic management systems and street lighting.

1.2 DEFINITIONS

- A. **GENERAL:** For the purposes of this specification, the following definitions refer to signals and traffic management systems and street lighting items that come under the authority of the VDOT or the City of Fairfax as specified within this section and other sections of this manual.
- 1) **Backplate:** A black plate attached to the perimeter of a traffic signal head for the purpose of improving visibility of signal head lenses when the signal is backlit by the sun.
 - 2) **Loop (Inductive Detection Loop):** A loop conductor placed within a sawed slot in the pavement which provides a signal to the traffic signal controller indicating either the presence of or passing of a vehicle over the loop.
 - 3) **Mast Arm:** A cantilevered steel arm attached to a pole for the purpose of carrying traffic signals, cable, signs, and appurtenances.
 - 4) **Street Lighting:** The illumination of public right-of-way within the City of Fairfax, especially intersections, to assist safe movement of vehicular and pedestrian traffic and illumination of public rights-of-way to discourage criminal acts and help secure public safety.

1.3 SUBMITTALS

- A. The contractor shall provide 3 sets of as-built drawings and electronic copies to the City of Fairfax within 30 days of completion of the project. The drawing may be copies of the original Traffic Signal Plan with actual locations sketched in.

1.4 QUALITY ASSURANCE

- A. Materials and operations shall comply with the latest revision of all applicable Codes and Standards.

1.5 QUALITY STANDARDS

- A. Materials and operations shall comply with the latest revision of the Codes and Standards listed below:

American Society for Testing and Materials

ASTM A27	Standard Specification for Steel Castings, Carbon, for General Application
ASTM A36	Standard Specification for Carbon Structural Steel
ASTM A123	Standard Specification for Zinc (Hot-Dip Galvanized) Coatings on Iron and Steel Products
ASTM A595	Standard Specification for Steel Tubes, Low-Carbon, Tapered for Structural Use

1.6 STANDARD ABBREVIATIONS

AASHTO	American Association of State Highway and Transportation
---------------	--

Officials

ANSI	American National Standards Institute, Inc.
ASTM	American Society for Testing and Materials
FS	Federal Specifications
MSDS	Material Safety Data Sheets
MUTCD	Manual on Uniform Traffic Control Devices
NEC	National Electrical Code
NEMA	National Electrical Manufacturers Association
NESC	National Electrical Safety Code
UL	Underwriters' Laboratories, Inc.

1.7 APPLICATION SPECIFICATIONS

- A. National Electric Code (NEC)
- B. Virginia Department of Transportation
- C. Virginia/Dominion Electric Standard Construction Manual

1.8 PRODUCT DELIVERY, STORAGE AND HANDLING**A. Handling/Storage:**

- 1) All manufactured light poles, pole bases, and fixtures shall be delivered to the appropriate City of Fairfax department. No equipment is to be delivered direct to the field from a manufacturer or supplier. Do not store directly on the ground. Set on wooden slats or pallets.
- 2) Observe NEC and NESC requirements for handling and storage of all electrical wiring, fixtures, etc.

1.9 PROJECT CONDITIONS

- A. The Contractor is responsible for obtaining all applicable permits (building permit, Right-of-Way/Easement permit) making application for service and paying permit fees.
- B. If applicable, before commencing construction, Contractor shall obtain a copy of approved Right-of-Way/Easement or encroachment permit and keep on site during construction.
- C. Protect structures, utilities, sidewalks, pavements, pavement markings and other facilities, and lawns and existing exterior plants from damage caused by electrical lighting operations.
- D. **Safety:** The Contractor shall keep the work area surface in a safe and

satisfactory condition during the progress of the work.

1.10 COORDINATION

- A. When traffic signals, loops, or their appurtenances are likely to be damaged or interfere as a result of the construction, coordinate temporary operation with the applicable agency having jurisdiction of the signals. Provide a minimum of 48 hours notice prior to anticipated disturbance or interruption.
- B. If necessary, coordinate emergency traffic control with the City of Fairfax Police Department and VDOT. The Contractor is responsible for costs associated with traffic control support.
- C. Repair of pavement markings: When cuts are made through any paved surface and the cuts extend through the pavement markings, the replaced pavement shall be marked to match the existing.
- D. It shall be the responsibility of the Contractor to notify MISS UTILITY at 1-800-552-7001, 48 hours prior to the start of any excavations or construction work. Call Fairfax Water at 703-698-5613 for water service interruption. Call City of Fairfax Public Works Department at 703-385-7980 for sewer service interruption. After hours, call, 703-385-7924.

Other Private Utilities:

Utility	Company	Phone
Electricity	Dominion Energy Virginia	1-866-366-4357
Gas	Washington Gas	1-800-752-7520
Phone	Bell Atlantic/Verizon	703-954-6222
Cable TV	Cox Communication	703-378-8422

- E. Protect undisturbed lawns, shrubs, and trees and promptly repair damages caused by operation.

1.11 PUBLIC CONVENIENCE

The Contractor shall at all times so conduct his work as to insure the least possible inconvenience to the general public and the residents in the vicinity of the work. Fire hydrants on or adjacent to the work shall be kept accessible to firefighting equipment at all times. Temporary provisions shall be made by the Contractor to insure the proper functioning of all gutters, sewer inlets, drainage ditches, and irrigation ditches, which shall not be obstructed except as approved by the Public Works Director. The Contractor shall implement measures to contain sediment and prevent sediment tracking from the project area. Effluent from drilling and similar activities shall be filtered for sediment prior to discharge.

1.12 TRAFFIC CONTROL

- A. When working within any City or VDOT System road or highway, conform to the *Manual on Uniform Traffic Control Devices*, latest revision (MUTCD) as well as the *VDOT Road and Bridge Specifications*.
- B. Traffic Maintenance shall comply with the latest revision of the *VDOT Standard Specifications for Roads and Structures*, Section 701, *Traffic Signs* and Section 512, *Maintaining Traffic*, as well as other applicable sections.

- C. When traffic signals or their appurtenances are likely to be damaged or interfere as a result of the construction, coordinate temporary operation with the VDOT or the Department of Public Works. Provide 48 hours notice prior to anticipated disturbance or interruption.

1.13 WARRANTY

The Contractor shall guarantee his work against defects due to poor workmanship or poor construction for a period of 12 months after completion and acceptance of his work.

PART 2 – PRODUCTS

2.1 SIGNALS AND TRAFFIC MANAGEMENT SYSTEMS

2.1.1 STREET LIGHTING MATERIALS

Materials to be supplied by the contractor:

- A. Pole and pole hardware as specified on the plans.
- B. Conduit and fittings shall be of the size as shown on the plans.
- C. Light Poles (Mast Arm Pole, Strain Pole, Pedestrian Pole, and Wood Pole).
 - 1) **Street Light Arms and Fixtures:** Fixtures shall comply with the City's standards and criteria in section 3.2.3.
- D. Conduit shall be Schedule 40 PVC unless there are loading issues, then galvanized steel conduit shall be used.
- E. Grounding wire shall be No. 8 AWG solid copper wire.
- F. All junction boxes shall be Quazite Composolite with locking cover.
- G. A ground rod shall be installed next to each pole and at electrical service point.
- H. Grounding rods shall be 5/8-inch x 8-foot copper clad steel.

PART 3 – EXECUTION

3.1 CONSTRUCTION OF SIGNALS AND TRAFFIC MANAGEMENT SYSTEMS

3.1.1 GENERAL

- A. **Signals and Traffic Management Systems:** Signals and Traffic Management Systems shall meet these specifications and the applicable requirements of Section 703, *Traffic Signals* of the VDOT *Road and Bridge Specifications*.
- B. The lengths of conduit shown on the plans are approximate lengths. The Contractor shall determine the exact lengths of conduit in the field.

- C. The conduit shall be installed in reasonably close conformity with the lines shown on the plans. Conduit runs may be changed to avoid obstructions with the approval of the Public Works Director.
- D. It shall be the Contractors responsibility to locate all storm drains, water lines, sanitary sewers, and existing traffic signal equipment and to take all precautions to protect these facilities. The Contractor, at this expense, shall repair any damage caused by the Contractor's operation.
- E. In the case of conflict arising between proposed locations of traffic signal equipment and existing utilities, the Contractor shall relocate the traffic signal equipment subject to the approval of the Public Works Director.

3.1.2 CONDUIT INSTALLATION

Conduit shall be schedule 40 PVC in appropriate areas and Rigid Galvanized Steel if there are loading issues, or otherwise specified by the Public Works Director. The size of the conduit shall be specified on the Plan.

- A. The sum of the bend angles in a single run of conduit shall not exceed 360 degrees.
- B. The ends of all conduits, whether shop or field cut, shall be reamed to removed burrs and rough edges. Cuts shall be made square and true so that the ends will butt or come together for the full circumference thereof.
- C. Conduit shall be installed using the direct bore method unless otherwise determined by the Public Works Director.
- D. Conduit Risers shall be installed on wood utility poles. Conduit shall be attached to the pole with conduit clamps. The Public Works Director shall determine the length of riser. A rain tight entrance cap with plastic wire entry knockouts shall be installed at the top of each riser.

3.1.3 JUNCTION BOXES

Shall be made of a Quazite Composolite material with locking cover.

- A. Conduit shall enter the side(s) of the structure at the depth of the conduit run and shall extend a minimum of 2" and a maximum of 4" into the structure.
- B. All junction boxes shall be set on a 12" minimum depth bedding of washed gravel (VDOT #57 stone or approved equal).
- C. The top of all junction boxes shall be installed flush with the surrounding grade or pavement unless otherwise specified by the Public Works Director.
- D. The conduit entrance holes shall be patched such that debris and water cannot enter the structure.

3.1.4 GROUNDING

- A. The grounding rod shall be driven into undisturbed earth. The ground wire shall

be attached to the ground rod with a ground clamp.

- B. The ground wire shall be continuous and unspliced from the ground rod to the lighting pole if applicable.
- C. Ground wire shall be #8 AWG solid bare copper wire.

3.1.5 RESTORATION

The Contractor shall restore all areas disturbed by his operation to conditions equal to or better than existing conditions.

3.1.6 CLEANUP

Disposal: remove surplus materials, unsuitable soil, trash, and debris and legally dispose of off-site.

3.2 STREET LIGHTING

3.2.1 GENERAL INFORMATION

- A. [Dominion Energy Virginia](#) (Dominion) serves as the electric utility for the City of Fairfax.
- B. Street lighting must be installed, unless waived by the Public Works Director, with all developments for the purpose of enhancing crime deterrence and pedestrian safety, and improving potentially hazardous intersections. The installation costs of the required street lighting improvements must be paid by the Developer.
- C. A photometric analysis shall be performed and submitted to the City for review. The street light photometric analysis and design layout shall be designed by a Commonwealth of Virginia Registered Professional Engineer.
- D. The developer must coordinate directly with Dominion to schedule the installation of street lights. This coordination must be for installation of the wiring for the street lights, concurrently with the electric service, and the subsequent installation of the light poles, fixtures, and final connection when the site is ready for such work.
- E. The required street lighting improvements must be installed by Dominion. However, the developer may perform the civil and conduit portions of the installation with the prior approval of Dominion. All required rights of way permits for the purpose of installing street lights must be obtained by Dominion. The fees for these permits will be included in Dominion's cost estimate to be paid by the developer. The street lighting systems must be owned and maintained by Dominion, unless otherwise approved.
- F. After the street lights are installed and energized, the City will be responsible for making payments to Dominion for the monthly operating and maintenance costs.

3.2.2 STREET LIGHT SOURCE

- A. The standard light source for all street lights is the Light Emitting Diode (LED) with Smart City capability. The use of LED street lights must conform to the standards as set forth in section 3.2.3, unless otherwise approved by the Public Works Director.
- B. Any use of existing Mercury Vapor (MV), High Pressure Sodium (HPS) street lights along existing City rights of way frontage must be converted to LED. These new fixtures must meet the requirements of the [American Nation Standards Institute/Illuminating Engineering Society's](#) (ANSI/IES) Recommended Practice for Design and Maintenance of Roadway and Parking Facility Lighting (ANSI/IES RP8-18, or latest) and conform to the guidelines of the [International Dark-Sky Association \(IDA\)](#).

3.2.3 STANDARDS AND CRITERIA

- A. The following standard lighting fixture styles and poles are available for use.
 - 1) Acorn Cut-off: This is a top pole mounted coach fixture on a black decorative fluted tapered aluminum pole (See Acorn [Cut-off fixture: 407.01](#), [aluminum pole: 407.02](#)).
 - 2) Colonial Cut-off: This is a top pole mounted coach fixture on a black decorative fluted tapered aluminum pole or smooth round tapered composite pole (See [Colonial Cut-off fixture: 407.03](#), [aluminum pole: 407.02](#), [composite pole: 407.04](#)).
 - 3) Round Lantern Cut-off: This is a top pole mounted coach fixture on a black aluminum pole (See [Old Town Fairfax Historic Overlay District Streetscape Standards](#) pg. 65-69).
 - 4) Shoebox: This is a full cut-off fixture which is bracket mounted to a wood, concrete, aluminum alloy or composite pole (See [Shoebox fixtures: 407.05](#), [407.06](#), and [407.07](#); [smooth round tapered aluminum direct embed pole: 407.08](#); [smooth round tapered aluminum anchor base pole: 407.09](#)); and [Dominion Outdoor Lighting Pole Specifications](#) for available pole options suitable for shoebox fixtures).
- B. Lighting fixtures and poles are to be set in accordance with Dominion.
- C. Lighting fixtures are to have a color temperature of 3000 Kelvin or less, unless waived by the Public Works Director.
- D. The selection of the style of fixture and pole combination for a particular development is to be made in relation to the area classification (See [Zoning Map](#)) and street typology designations (See [Comprehensive Plan](#), pg 87-93). The style of fixture and pole may need to be adjusted based on site conditions.

- 1) Old Town Fairfax Historic District classification area (“Old Town Fairfax Historic District” in the [Zoning Map](#)) and the rights of way across the street from the Old Town Fairfax Historic District when the district has a street as its boundary.
 - i. Active Streets: The preferred luminaire is the Cut-off Round Lantern Cut-off (See [Old Town Fairfax Historic Overlay District Streetscape Standards](#) pg. 65-69)
- 2) All areas not in the Old Town Fairfax Historic District (See [Zoning Map](#)).
 - i. Active Streets, Avenues, Boulevards, and Commercial Mains: The preferred luminaire is the Acorn Cut-off (See [Acorn Cut-off fixture: 407.01](#), [aluminum pole: 407.02](#))
 - ii. Limited Connection Residential and Neighborhood Circulators: The following luminaire options are preferred:
 - a. The Colonial Cut-off (See [Colonial Cut-off fixture: 407.03](#), [aluminum pole: 407.2](#), [composite pole 407.04](#)). This fixture is limited to curb-and-gutter roadways and for underground electrical wiring.
 - b. The Shoebox fixture (See [Shoebox fixtures: 407.05](#), [407.06](#), and [407.07](#); [smooth round tapered aluminum direct embed pole: 407.08](#); [smooth round tapered aluminum anchor base pole: 407.09](#)); and Dominion Outdoor Lighting Pole Specifications for available pole options suitable for shoebox fixtures). The Shoebox fixture is to be used where a single-arm or dual-arm mounted overhead lamp is required for roadway and/or pedestrian lighting, and the pole is an existing wooden utility pole or a Dominion smooth round tapered pole constructed of aluminum alloy.

END OF DIVISION 10460

bj.Virginia.Fairfax.Specs.FFdV10460_Street_Lighting.doc



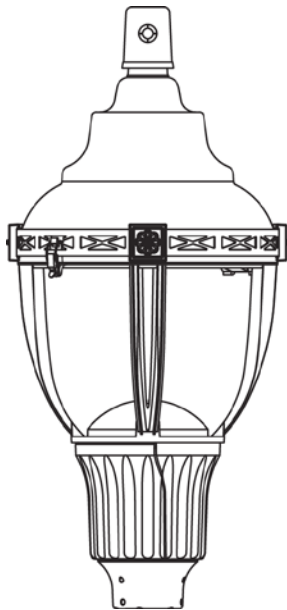
Cutoff Acorn

These Cutoff luminaire options are a dark-skies friendly alternative to various fixture styles.

Comparable HID Wattage	Finish Color	Initial Lamp Lumens	Lighting Pattern	Correlated Color Temperature (CCT)	Input Wattage	Billing Tier	Basic / Premium	Recommended Mounting Height (ft.)	BUG Rating	Luminaire Stock #	WMIS CU Code
70	Black	3551	Type III	3000K	47	2	Premium	10 - 12	1-0-1	42315978	LEDACCO0333BXXX
100	Black	5063	Type III	3000K	70	3	Premium	12 - 16	1-0-1	42315866	LEDACCO0533BXXX
150	Black	6513	Type III	3000K	95	4	Premium	12 - 16	2-0-2	42315977	LEDACCO0733BXXX

WFCL2

Utility Washington Series Luminaire
Full Cutoff LED2



Mechanical

- Heavy grade A360 cast aluminum (<1% copper)
- Tool-less access with a spring-loaded latch
- Hidden hinge door allowing the door to swing open and remain open
- Optional internal or external NEMA twist lock photocontrol receptacle. Housing contains a tempered glass window to allow light to reach the cell for internal versions.
- Mount to slip-fitter that will accept 3" high by 2-7/8" to 3-1/8" O.D. pole tenon
- Decorative top cover contains stainless steel hinge which secures entry the LED optical chamber
- Polyester power coat paint to ensure maximum durability
- Finish meets 5,000-hour salt spray testing
- Holophane and RAL Classic finishes.

Electrical

- All surge protection meets ANSI/IEEE C62.41.2 10kV/10kA.
- Standard SPD meets 10kV/5kA per ANSI C136.2-2015.
- 20KV Option meets 20kV/10kA per ANSI C136.2-2015.
- Quick disconnect connectors for ease of installation and maintenance.
- Three pole terminal block is standard, with optional prewired leads for ease of installation
- LLED drivers meet maximum total harmonic distortion (THD) of 20%, >0.90 Power Factor and are ROHS compliant. Minimum operating temperature is -40C. Electronic driver has an estimated minimum life of 100,000 hours at 25°C.

Optical

- IP65 rated optical compartment
- LED circuit board located in the top cover
- Asymmetric or Symmetric full cutoff distributions
- 2700K, 3000K, 4000K, and 5000K CCT
- 70CRI Standard

Control Options

- Field Adjustable Output (AO) module - Onboard device that adjusts the light output and input wattage to meet site specific requirements. The AO module is preset at the factory to position number 8 (see chart).
- Wireless remote control for monitoring performance and/or maintenance of the system – ROAM
- Factory Programmed Driver (FPDxx) - Customize lumen output prior to manufacturing and still enables control leads so other options can also be used
- Long Life Photocontrols (PCLL) - 20 Year Life
- 3 and 7 pin photocontrol receptacles internally (P3, P7) or externally (P3E, P7E) mounted
- Part-night dimming (PND) enables luminaire to monitor and adjust 50% lumens based on season and geographic location, 8-day rolling average

Testing/Compliance

- UL 1598 - Wet Locations Safety Listing
- Suitable for ambient temperatures -40°C to 40°C
- DesignLights Consortium® (DLC) qualified product. Not all versions of this product may be DLC qualified. Please check with the DLC Qualified Products List at www.designlights.org/QPL for updated list

Manufacturing

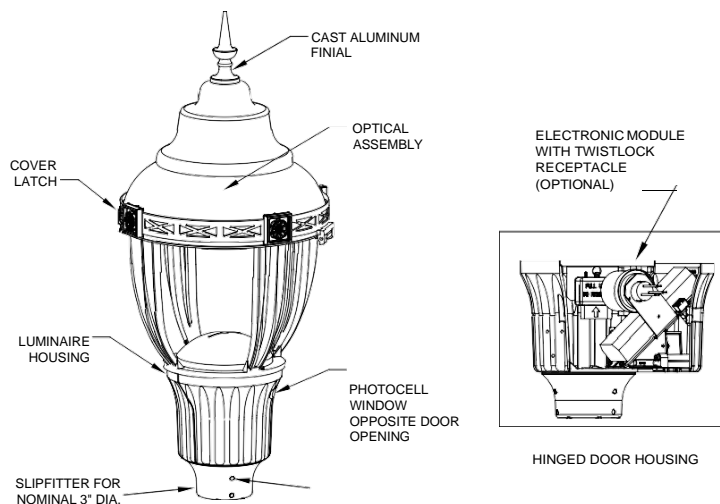
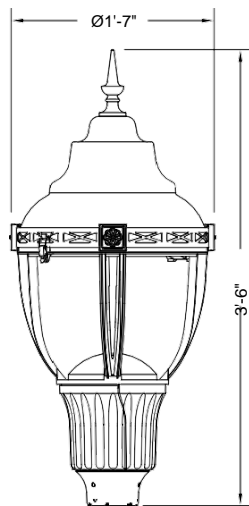
- Manufactured in Crawfordsville, Indiana, ARRA compliant
- 100% electrical testing on all luminaires before shipment
- Ten (10) years minimum experience in manufacturing LED based products

Warranty

5-year limited warranty. Complete warranty terms located at: www.acuitybrands.com/CustomerResources/Terms_and_Conditions.aspx.

Note: Actual performance may differ as a result of end-user environment and application. All values are design or typical values, measured under laboratory conditions at 25°C. Specifications subject to change without notice.

DIMENSIONAL DATA



ORDERING INFORMATION

Example: WFCL2 P20 30K

AS GN L2 N P73

WFCL2	P30	3K	AS	BK	L3	N
Series	Led performance package	LED Color temperature	Voltage	Housing color	Optics	Finial
WFCL2 Utility Washington LED FCO	P10 1,500 nominal lumens (amber only)	AM True amber	AS Auto-sensing voltage (120 thru 277) 50/60 HZ	BK Black	L2 Type 2 distribution full cutoff	N None
	P20 4,500 nominal lumens	27K 2700K CCT	AH Auto-sensing voltage (347 thru 480) 50/60 HZ	GR Gray	L3 Type 3 distribution full cutoff	B Ball
	P30 6,500 nominal lumens	30K 3000K CCT		GH Graphite	L4 Type 4 distribution full cutoff	S Spike
	P40 8,500 nominal lumens	40K 4000K CCT		GN Green	L5 Type 5 distribution full cutoff	
	P50 11,500 nominal lumens	50K 5000K CCT		PP Prime paint		
				WH White		
				BZ Bronze		
				TDC RAL Color color (RAL**)		
				CMC Custom color match		

P7E

Options: *Option Compatibility Matrix on page 3 of 4*

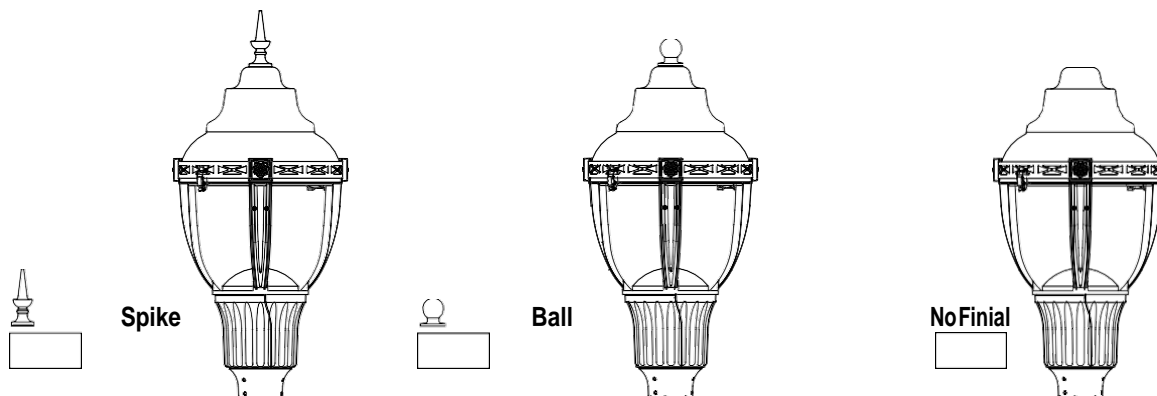
AO Field Adjustable Output	P3E NEMA Twist Lock Dimming Photocontrol Receptacle - 3 PIN. Externally mounted	L1H 1.5 ft prewired leads
DE ROAM Hardware DecoNode and DCM Factory Installed	P7E NEMA Twist Lock Dimming Photocontrol Receptacle - 7 PIN. Externally mounted	L03 3ft prewired leads
FPDxx Factory Programmed Driver	RME ROAM Node (External)	L10 10 ft prewired leads
P3 NEMA Twist Lock photocontrol receptacle - 3 PIN receptacle only.	RME3 347V ROAM NODE (External)	L20 20ft prewired leads
P7 NEMA Twist Lock Dimming photocontrol receptacle - 7 PIN receptacle only.	RME4 480V ROAM NODE (External)	L25 25ft prewired leads
PCS DTL twistoff photocontrol for solid-state lighting 120-277V	PSC Shorting cap	L30 30ft prewired leads
PCLL DTL long life twistlock photocontrol for solid-state AS	HSS House side shield	NL1X1 NEMA Label 1" X 1"
P34 DTL long life twistlock photocontrol for solid-state 347V		NL2X2 NEMA Label 2" X 2"
P48 DTL long life twistlock photocontrol for solid-state 480V		20KV 20kV/10kA surge protection
PND Part night dimming - down to 50%		

Accessories: *Order as separate catalog number.*

- XXCL2HSS1 Field Accessory - Louvered house side shield (Qty 1)
- XXCL2HSSJ50 Field Accessory - Louvered house side shield (Bulk Qty 50)
- XXCL2SPD10KAS 10kV/5kA Extreme surge 120-277V
- XXCL2SPD10KAH 10kV/5kA Extreme surge 480V
- XXCL2SPD20KAS 20kV/10kA Extreme surge 120-277V
- XXCL2SPD20KAH 20kV/10kA Extreme surge 480V

FINIAL INFORMATION

Mark Appropriate Box for Finial Options



OPTIONS MATRIX

Mounting	SELECTED OPTION (start here)																
	AO	DE	FPDxx	P3	P3E	P7	P7E	P34	P48	PCLL	PCS	PND	PSC	RME	RME3	RME4	20kV
LED Performance Package	P10	Y	Y	Y	Y	Y	Y	Y	Y	Y	Y	Y	Y	Y	Y	Y	Y
	P20	Y	Y	Y	Y	Y	Y	Y	Y	Y	Y	Y	Y	Y	Y	Y	Y
	P30	Y	Y	Y	Y	Y	Y	Y	Y	Y	Y	Y	Y	Y	Y	Y	Y
	P40	Y	Y	Y	Y	Y	Y	Y	Y	Y	Y	Y	Y	Y	Y	Y	Y
	P50	Y	N	Y	Y	Y	Y	Y	Y	Y	Y	Y	N	Y	Y	Y	N
Voltage	AS	Y	Y	Y	Y	Y	Y	N	N	Y	Y	Y	Y	Y	N	N	Y
	AH	Y	N	Y	Y	Y	Y	Y	Y	Y	N	N	Y	N	Y	Y	Y
Finial	B	Y	Y	Y	Y	N	Y	N	Y	Y	Y	Y	Y	N	N	N	Y
	S	Y	Y	Y	Y	N	Y	N	Y	Y	Y	Y	Y	N	N	N	Y
	N	Y	Y	Y	Y	M	Y	M	Y	Y	Y	Y	Y	M	M	M	Y
Compatible Options	AO	N	N	Y	Y	Y	F	F	Y	Y	Y	Y	N	Y	N	N	Y
	DE	N	N	Y	Y	N	N	N	N	N	N	N	Y	N	N	N	Y
	FPDxx	Y	Y	Y	Y	Y	Y	Y	Y	Y	Y	Y	Y	Y	Y	Y	Y
	P3	F	M	Y	N	N	N	N	Y	Y	Y	Y	M	Y	N	N	Y
	P3E	F	N	Y	N	N	N	N	Y	Y	Y	Y	N	Y	N	N	Y
	P7	F	N	Y	N	N	N	N	Y	Y	Y	Y	N	Y	N	N	Y
	P7E	F	N	Y	N	N	N	N	Y	Y	Y	Y	N	Y	I	I	I
	P34	Y	N	Y	Y	Y	Y	Y	N	N	N	N	N	N	N	N	Y
	P48	Y	N	Y	Y	Y	Y	Y	Y	N	N	N	N	N	N	N	Y
	PCLL	Y	N	Y	Y	Y	Y	Y	N	N	N	N	M	N	N	N	Y
	PCS	Y	N	Y	Y	Y	Y	Y	N	N	N	N	N	M	N	N	Y
	PND	N	N	Y	Y	N	N	N	N	N	M	M	N	Y	N	N	Y
	PSC	Y	N	Y	Y	Y	Y	Y	N	N	N	N	Y	N	N	N	Y
	RME	N	N	Y	N	N	N	Y	N	N	N	N	N	N	N	N	Y
	RME3	N	N	Y	N	N	N	Y	N	N	N	N	N	N	N	N	Y
	RME4	N	N	Y	N	N	N	Y	N	N	N	N	N	N	N	N	Y
	20kV	Y	Y	Y	Y	Y	Y	Y	Y	Y	Y	Y	Y	Y	Y	Y	Y

Y = Valid Option Combination
 F = Future ready (wired with "AO", but could accept control device with tool-less field wiring)
 M = Must have: one of these must be installed for the luminaire to operate
 N = Combination Not available

ROAM OPTION DETAILS

DE = UL listed components without GPS capability, external antenna is black and includes ROAM capable node only, ROAM service package sold separately via Acuity Controls
RME = UL listed device without GPS capability, blue housing color, includes ROAM capable node only, ROAM service package sold separately via Acuity Controls and contact Acuity Controls for RME device with GPS capability or non-standard color
RME3 = UL listed device without GPS capability, green housing color, includes ROAM capable node only, ROAM service package sold separately via Acuity Controls and contact Acuity Controls for RME device with GPS capability or non-standard color
RME4 = UL listed device without GPS capability, yellow housing color, includes ROAM capable node only, ROAM service package sold separately via Acuity Controls and contact Acuity Controls for RME device with GPS capability or non-standard color

LUMEN AMBIENT TEMPERATURE (LAT) MULTIPLIERS

Use the factors to determine relative lumen output for average ambient temperatures from 0-40C (32-104F)

Ambient Temp (degrees C) Lumen Multiplier								
0	5	10	15	20	25	30	35	40
1.05	1.04	1.03	1.02	1.01	1.00	0.99	0.98	0.97

PROJECTED LED LUMEN MAINTENANCE

Data references the extrapolated performance projections for the platforms noted in 25C ambient, based on 6,000 hours of IED testing (tested per IESNA LM-80-08 and projected per IESNA TM-21-11). To calculate LLF, use the lumen maintenance factor that corresponds to the desired number of operating hours below. For other lumen maintenance values, contact factory.

Package	Lumen Maintenance						L70 Hrs
	25k hrs	36k hrs	50k hrs	60k hrs	75k hrs	100k hrs	
P20-P40	0.97	0.96	0.95	0.94	0.93	0.91	383,000
P50	0.96	0.94	0.93	0.91	0.90	0.87	267,667

PERFORMANCE DATA

LED Package	Distribution	System Watts	2700K		3000K		4000K		5000K	
			Lumens	LPW	Lumens	LPW	Lumens	LPW	Lumens	LPW
P20	L2	45	4174	93	4265	95	4701	104	4853	108
	L3	45	3756	83	3838	85	4230	94	4357	97
	L4	45	3968	88	4054	90	4468	99	4603	102
	L5	45	4120	92	4210	94	4640	103	4780	106
P30	L2	66	5952	90	6082	92	6703	102	6905	105
	L3	66	5355	81	5472	83	6031	91	6213	94
	L4	66	5657	86	5781	88	6371	97	6563	99
	L5	66	5874	89	6002	91	6615	100	6815	103
P40	L2	89	7656	86	7823	88	8622	97	8882	100
	L3	89	6888	77	7038	79	7757	87	7991	90
	L4	89	7277	82	7436	84	8195	92	8442	95
	L5	89	7667	85	7721	87	8509	96	8766	98
P50	L2	139	11058	80	11300	81	12454	90	12830	92
	L3	139	9959	72	10166	73	11205	81	11543	83
	L4	139	10511	76	10740	77	11837	85	12195	88
	L5	139	10914	79	11152	80	12291	88	12662	91

FPDXX DATA OPTIONS

FPDxx Setting	Wattage	P20 27K				P20 30K				P20 40K				P20 50K			
		L2	L3	L4	L5	L2	L3	L4	L5	L2	L3	L4	L5	L2	L3	L4	L5
Standard	45	4174	3756	3968	4120	4265	3838	4054	4210	4701	4230	4468	4640	4843	4357	4603	4780
FPD95	43	3966	3568	3769	3914	4052	3646	3852	3999	4466	4018	4245	4408	4601	4139	4373	4541
FPD90	41	3757	3380	3571	3708	3839	3454	3649	3789	4231	3807	4021	4176	4359	3921	4143	4302
FPD85	38	3548	3192	3372	3502	3626	3262	3446	3578	3996	3595	3798	3944	4117	3704	3913	4063
FPD80	36	3339	3004	3174	3296	3412	3070	3243	3368	3761	3384	3575	3712	3874	3486	3683	3824

FPDxx Setting	Wattage	P30 27K				P30 30K				P30 40K				P30 50K			
		L2	L3	L4	L5	L2	L3	L4	L5	L2	L3	L4	L5	L2	L3	L4	L5
Standard	66	5952	5355	5657	5874	6082	5472	5781	6002	6703	6031	6371	6615	6905	6213	6563	6815
FPD95	63	5654	5087	5374	5580	5778	5198	5492	5702	6368	5729	6053	6285	6560	5902	6235	6474
FPD90	59	5357	4819	5092	5287	5474	4925	5203	5402	6033	5428	5734	5954	6215	5591	5907	6134
FPD85	56	5059	4552	4809	4993	5170	4651	4914	5102	5698	5126	5415	5623	5870	5281	5579	5793
FPD80	53	4762	4284	4526	4699	4865	4377	4625	4802	5362	4825	5097	5292	5524	4970	5251	5452
FPD75	50	4464	4016	4243	4406	4561	4104	4336	4502	5027	4523	4778	4962	5179	4660	4923	5111
FPD70	46	4166	3748	3960	4112	4257	3830	4046	4202	4692	4221	4460	4631	4834	4349	4594	4771

FPDxx Setting	Wattage	P40 27K				P40 30K				P40 40K				P40 50K			
		L2	L3	L4	L5	L2	L3	L4	L5	L2	L3	L4	L5	L2	L3	L4	L5
Standard	89	7656	6888	7277	7556	7823	7038	7436	7721	8622	7757	8195	8509	8882	7991	8442	8766
FPD95	85	7273	6543	6913	7178	7432	6686	7064	7335	8191	7369	7785	8084	8438	7592	8020	8328
FPD90	80	6890	6199	6549	6800	7041	6334	6692	6949	7760	6891	7375	7658	7994	7192	7598	7889
FPD85	76	6507	5855	6185	6422	6649	5982	6320	6562	7329	6593	6966	7233	7550	6792	7176	7451
FPD80	71	6125	5510	5821	6045	6258	5631	5948	6176	6897	6206	6566	6807	7106	6393	6754	7013

FPDxx Setting	Wattage	P50 27K				P50 30K				P50 40K				P50 50K			
		L2	L3	L4	L5	L2	L3	L4	L5	L2	L3	L4	L5	L2	L3	L4	L5
Standard	139	11058	9949	10511	10914	11300	10166	10740	11152	12454	11205	11837	11291	12830	11543	12195	12662
FPD95	132	10506	9452	9985	10368	10735	9658	10203	10594	11831	10644	11245	11677	12188	10966	11585	12029
FPD90	125	9953	8954	9460	9822	10170	9150	9666	10037	11209	10084	10654	11062	11547	10389	10975	11396
FPD85	118	9400	8457	8934	9277	9605	8641	9129	9479	10586	9524	10062	10447	10905	9811	10365	10763
FPD80	111	8847	7959	8409	8731	9040	8133	8592	8922	9963	8964	9470	9833	10264	9234	9756	10130

COMPONENTS & OPTIONS DATA



AO
Manual field adjustable output dimming device



RME (External)
Remote Asset Management Control Dimming Device
(specify with receptacle)



DE
Remote Asset Management Control Decorative Node
(specify with P3 receptacle)



20kV
Safeguard your investment from extreme voltage spikes with our new Extreme 20kV/10kA SPD



HSS
Minimize backlight with a louvered house-side-shield. Available as a factory option or field accessory



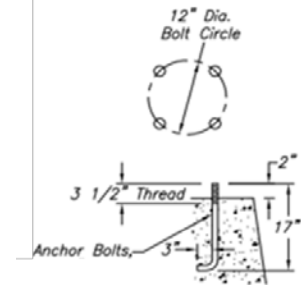
Outdoor Lighting Pole Specifications

Decorative Fluted Tapered Aluminum for Post Top Luminaires

Fluted tapered pole with structural Arlen style base constructed of aluminum alloy for single or twin post top luminaires. Poles are available directly embedded or base mounted for use with underground supplied conductors only. Anchor base poles require customer-installed and maintained concrete pole foundations and anchor-bolts.

Light fixtures that match well with this pole include:

- All LED Acorn styles
- All LED Colonial styles
- Premium LED Cutoff styles
- Premium LED Lantern styles



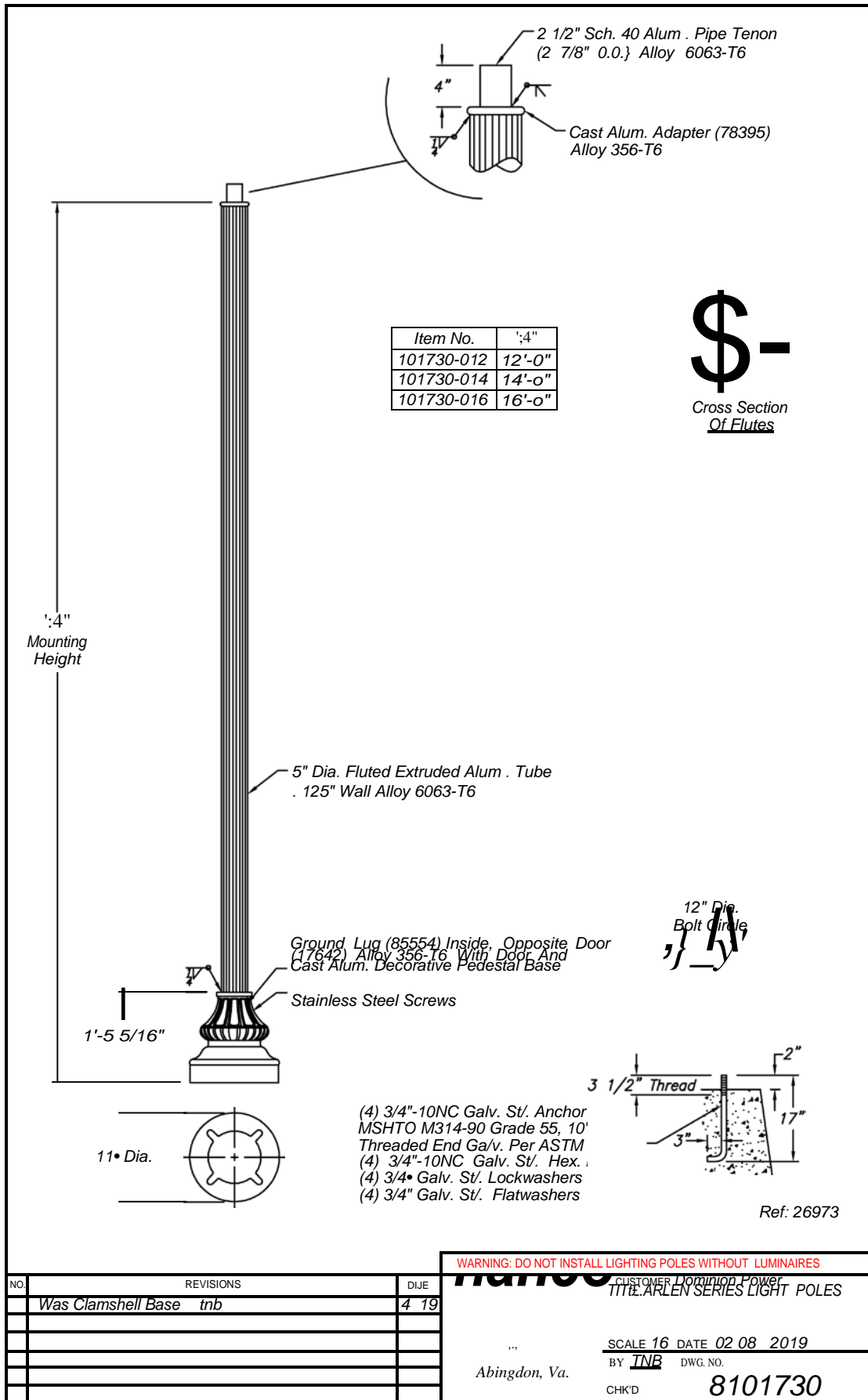
POLE SPECIFICATIONS

FIXTURE MOUNTING HEIGHT (ft)	TOTAL POLE LENGTH (ft)	BASE DIAMETER (in)	BASE HEIGHT (in)	EMBED or ANCHOR BASE	FINISH COLOR	WMIS CU	POLE ONLY STOCK #
12.0	16.0	17.0	17.0	Embed	Black RAL-9017	PA16ARB	42337639
12.0	16.0	17.0	17.0	Embed	Green RAL-6009	PA16ARM	42337642
14.0	18.0	17.0	17.0	Embed	Black RAL-9005	PA18ARB	42337640
14.0	18.0	17.0	17.0	Embed	Green RAL-6009	PA18ARM	42337643
16.0	20.0	17.0	17.0	Embed	Black RAL-9005	PA20ARB	42337641
16.0	20.0	17.0	17.0	Embed	Green RAL-6009	PA20ARM	42337644
12.0*	12.0	12 inch bolt circle		Anchor	Black RAL-9017	PA12ABAB	42337782
12.0*	12.0	12 inch bolt circle		Anchor	Green RAL-6009	PA12ABAM	42337785
14.0*	14.0	12 inch bolt circle		Anchor	Black RAL-9005	PA14ABAB	42337783
14.0*	14.0	12 inch bolt circle		Anchor	Green RAL-6009	PA14ABAM	42337786
16.0*	16.0	12 inch bolt circle		Anchor	Black RAL-9005	PA16ABAB	42337784
16.0*	16.0	12 inch bolt circle		Anchor	Green RAL-6009	PA16ABAM	42337887

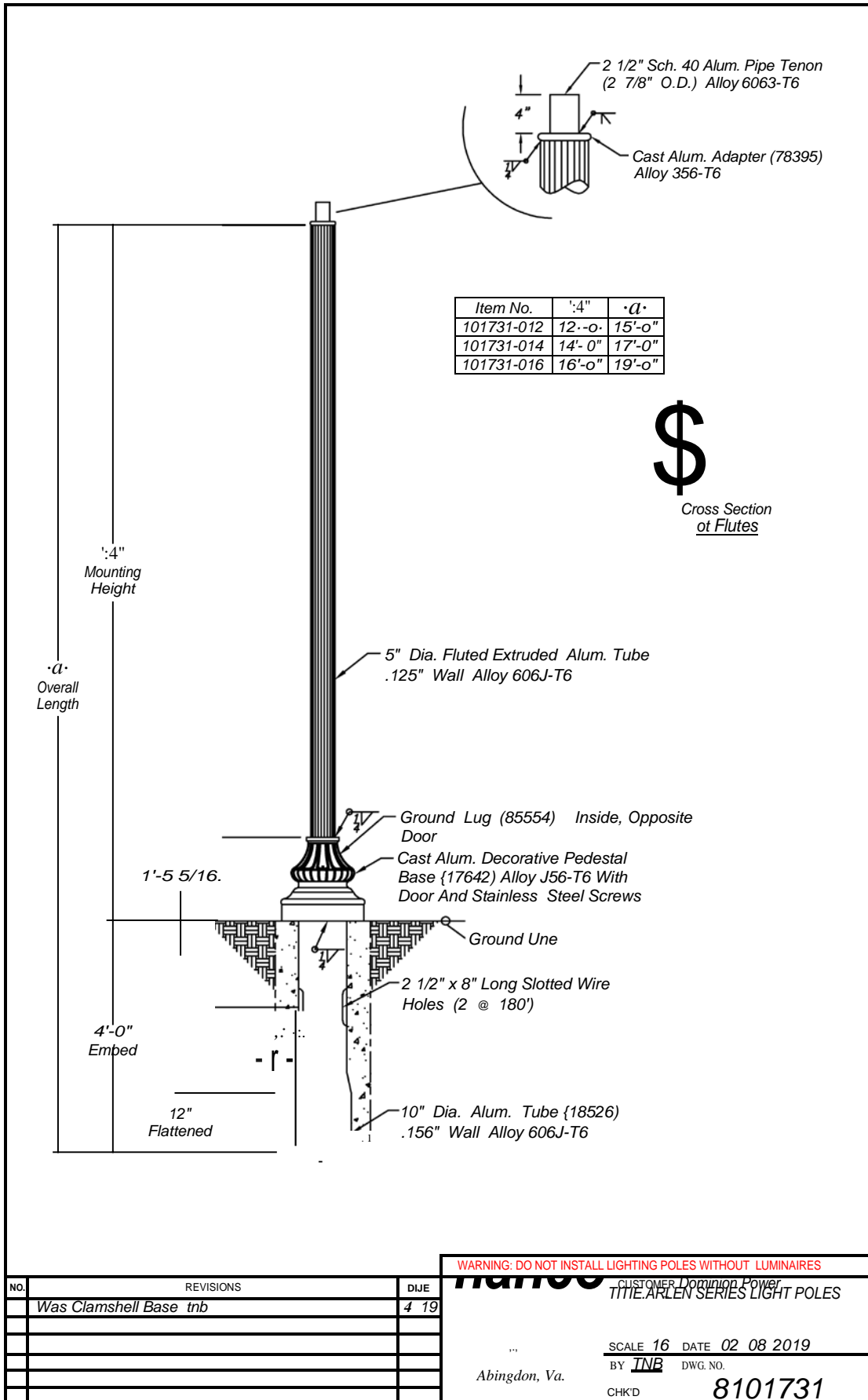
* Approximate based on height above grade to top of anchor base

Many localities have restrictions on light distribution and placement of outdoor lighting equipment. Consult with your local government before selecting outdoor lighting equipment.





B101730





Cutoff Colonial

These Cutoff luminaire options are a dark-skies friendly alternative to various fixture styles.

Comparable HID Wattage	Finish Color	Initial Lamp Lumens	Lighting Pattern	Correlated Color Temperature (CCT)	Input Wattage	Billing Tier	B-U-G Rating	Recommended Mounting Height (ft.)	Luminaire Stock #	WMIS CU Code
70	Blac	3656	Type III	3000K	41	2	1-0-1	10 - 12	4231598	LEDCLCO0333B
70	Blac	3935	Type III	4000K	41	2	1-0-1	10 - 12	4233128	LEDCLCO0334B
10	Blac	5234	Type III	3000K	55	2	1-0-2	12 - 16	4231597	LEDCLCO0533B
10	Blac	5634	Type III	4000K	55	2	1-0-2	12 - 16	4233128	LEDCLCO0534B
15	Blac	7124	Type III	3000K	66	3	2-0-2	12 - 16	4231598	LEDCLCO0733B
15	Blac	7668	Type III	4000K	66	3	2-0-3	12 - 16	4233148	LEDCLCO0734B

Series ARDCL

PRODUCT OVERVIEW



Features:

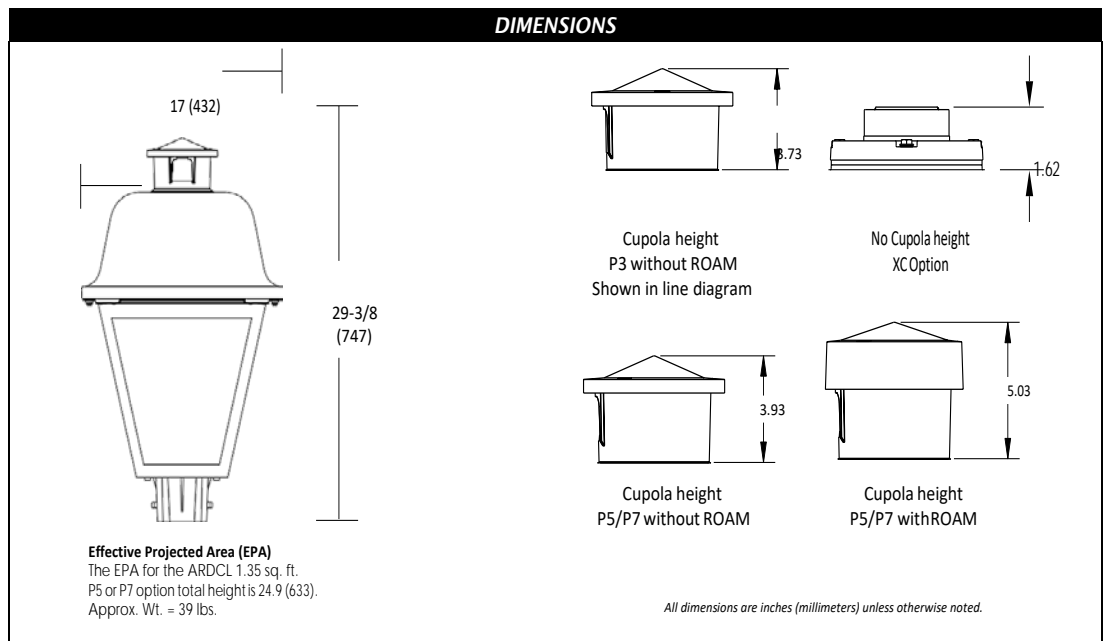
- Colonial LED lantern, replaces HID models up to 150W HPS for street and area lighting applications
- Eleven (11) LED performance packages deliver just the right amount of light for any given application up to 12,800 lumens
- Available in color temperature choices of 2700K, 3000K, 4000K, and 5000K
- Designed for up-light restrictive applications, ARDCL has zero up-light
- Four (4) distinct light distribution options provide design flexibility, available in Type II, Type III, Type IV, and Type V
- Die-cast aluminum housing, engineered for sturdy life-long performance
- Die-cast aluminum hood features a trigger latch (TL) option and captive thumb screws for fast, easy electrical and optical chamber access
- Standard paint finish is smooth / gloss
- Housing is tenon pole-mounted and designed for use with a 3" tall by 2-3/8" to 3" diameter tenon, and secured by three set screws.
- Rated L70, LED life greater than 100,000 hours at 25°C
- Complies with all applicable ANSI C136 standards
- CSA listed and suitable for up to 40°C ambient
- Surge protection device (standard) exceeds ANSI/IEEE C62.41-2002 Category C High (10kV/10kA) and ANSI C136.2-2015 Enhanced (10kV/5kA). 20kV Option exceeds ANSI/IEEE C62.41-2002 Category C High (10kV/10kA) and ANSI C136.2-2015 Extreme (20kV/10kA)
- Equipped with LED electronic 0-10V dimmable driver

Applications:

Streetscapes
Walkways
Pathways
Parks



DIMENSIONS



Note: Specifications subject to change without notice.
American Revolution Deluxe Full Cutoff LED Series - ARDCL



American Revolution Deluxe Full Cutoff LED Series ARDCL

ORDERING INFORMATION

Example: ARDCL P30 AS 40K R3

ARDCL
Series

ARDCL American Revolution Full Cutoff Deluxe LED

P35
Performance Package

Package	Input Watts	Lumens (nominal)
P10	23	2,600
P15	34	3,400
P20	41	3,900
P25	52	4,600
P30	46	5,100
P35	55	5,234
P40	78	7,600
P45	98	8,800
P50	66	7,700
P55	94	10,100
P60	111	11,500

AS
Voltage

AS 120-277v
AH 347V; 480V

30K
Color Temperature (CCT)

27K 2700K
30K 3000K
40K 4000K
50K 5000K

R3
Distribution

R2 Type II
R3 Type III
R4 Type IV
R5 Type V

P7 TLNL1X1 FPD80
Options

Paint¹

(blank) Black (standard), smooth / gloss
GY Gray, smooth / gloss
DDB Dark Bronze, smooth / gloss
WH White, smooth / gloss
BZ Bronze, smooth / gloss

Controls

(blank) 3 pin NEMA photocontrol (standard)
NR No photocontrol receptacle
P7 7 pin NEMA photocontrol
PCLL^{3,4} Solid state long life photocontrol
P34^{3,4} Solid state long life photocontrol, 347 Volt only
P48^{3,4} Solid state long life photocontrol, 480 Volt only
PCSS^{3,4,7} Solid state photocontrol, 120-277V (not CSA Listed)
AO Field adjustable output module
DALI DALI driver (special request)
PND Part night dimming
SH Shorting cap
SHX⁷ Shorting cap (not CSA listed)

Miscellaneous

SS Stainless steel hardware
TL Tool-less latch
NL1X1 1" x 1" NEMA label
NL2X2 2" x 2" NEMA label
XL Not CSA Listed
LDR⁵ Ladder Rest
RCC^{6,8} ROAM Cupola Cap
XC⁶ No Cupola
CR Epoxy Pre-Coat Finish
20kV 20kV/10kA surge protection device
FPDxx Factory programmed driver

House-Side Shields

HSS House Side Shield

Prewired leads

L1H 1ft prewired leads
L03 3ft prewired leads
L10 10ft prewired leads
L20 20ft prewired leads
L25 25ft prewired leads
L30 30ft prewired leads

Accessory

Ship separately and installed in the field
ARDCLFHSLEM10 ARDCL FIELD INSTALLABLE HSS FOR LEM 10
ARDCLFHSLEM20 ARDCL FIELD INSTALLABLE HSS FOR LEM 20
ARDCLFHSLEM30 ARDCL FIELD INSTALLABLE HSS FOR LEM 30

Note: Check the OPTIONS MATRIX on Page 3 for compatibility & restrictions



AEL Headquarters, 3825 Columbus Road, Granville, OH 43023
www.americanelectricalighting.com
© 2014-2020 Acuity Brands Lighting, Inc. All Rights Reserved. ARDCL Rev. 03/10/20

Warranty Five-year limited warranty. Complete warranty terms located at: www.acuitybrands.com/support/customer-support/terms-and-conditions
Actual performance may differ as a result of end-user environment and application. All values are design or typical values, measured under laboratory conditions at 25 °C. Specifications subject to change without notice.

Please contact your sales representative for the latest product information.

American Revolution Deluxe Full Cutoff LED Series ARDCL

OPTIO NS MATRI X

Parameters	Distribution Options				Surge		Receptacle			Photocontrols					Dimming				
	R2	R3	R4	R5	-	20KV	-	NR	P7	PCLL	PCSS	P34	P48	SH	SHX	-	PND	A0	DALI
AS	P10	Y	Y	Y	Y	Y	N	Y	Y	Y	Y	Y	Y	Y	Y	Y	Y	Y	N
	P15	Y	Y	Y	Y	Y	Y	Y	Y	Y	Y	Y	Y	Y	Y	Y	Y	Y	Y
	P20	Y	Y	Y	Y	Y	Y	Y	Y	Y	Y	Y	Y	Y	Y	Y	Y	Y	Y
	P25	Y	Y	Y	Y	Y	Y	Y	Y	Y	Y	Y	Y	Y	Y	Y	Y	Y	Y
	P30	Y	Y	Y	Y	Y	Y	Y	Y	Y	Y	Y	Y	Y	Y	Y	Y	Y	Y
	P35	Y	Y	Y	Y	Y	Y	Y	Y	Y	Y	Y	Y	Y	Y	Y	Y	Y	Y
	P40	Y	Y	Y	Y	Y	Y	Y	Y	Y	Y	Y	Y	Y	Y	Y	Y	Y	Y
	P45	Y	Y	Y	Y	Y	Y	Y	Y	Y	Y	Y	Y	Y	Y	Y	Y	Y	Y
	P50	Y	Y	Y	Y	Y	Y	Y	Y	Y	Y	Y	Y	Y	Y	Y	Y	Y	Y
	P55	Y	Y	Y	Y	Y	Y	Y	Y	Y	Y	Y	Y	Y	Y	Y	Y	Y	Y
P60	Y	Y	Y	Y	Y	Y	Y	Y	Y	Y	Y	Y	Y	Y	Y	Y	Y	Y	
AH	P10	Y	Y	Y	Y	Y	Y	Y	Y	Y	Y	Y	Y	Y	Y	Y	Y	Y	N
	P15	Y	Y	Y	Y	Y	Y	Y	Y	Y	Y	Y	Y	Y	Y	Y	Y	Y	N
	P20	Y	Y	Y	Y	Y	Y	Y	Y	Y	Y	Y	Y	Y	Y	Y	Y	Y	N
	P25	Y	Y	Y	Y	Y	Y	Y	Y	Y	Y	Y	Y	Y	Y	Y	Y	Y	N
	P30	Y	Y	Y	Y	Y	Y	Y	Y	Y	Y	Y	Y	Y	Y	Y	Y	Y	N
	P35	Y	Y	Y	Y	Y	Y	Y	Y	Y	Y	Y	Y	Y	Y	Y	Y	Y	N
	P40	Y	Y	Y	Y	Y	Y	Y	Y	Y	Y	Y	Y	Y	Y	Y	Y	Y	N
	P45	Y	Y	Y	Y	Y	Y	Y	Y	Y	Y	Y	Y	Y	Y	Y	Y	Y	N
	P50	Y	Y	Y	Y	Y	Y	Y	Y	Y	Y	Y	Y	Y	Y	Y	Y	Y	N
	P55	Y	Y	Y	Y	Y	Y	Y	Y	Y	Y	Y	Y	Y	Y	Y	Y	Y	N
P60	Y	Y	Y	Y	Y	Y	Y	Y	Y	Y	Y	Y	Y	Y	Y	Y	Y	N	
Color Temperature	27K	Y	Y	Y	Y	Y	Y	Y	Y	Y	Y	Y	Y	Y	Y	Y	Y	Y	Y
	30K	Y	Y	Y	Y	Y	Y	Y	Y	Y	Y	Y	Y	Y	Y	Y	Y	Y	Y
	40K	Y	Y	Y	Y	Y	Y	Y	Y	Y	Y	Y	Y	Y	Y	Y	Y	Y	Y
	50K	Y	Y	Y	Y	Y	Y	Y	Y	Y	Y	Y	Y	Y	Y	Y	Y	Y	Y
Distribution Options	R2		N	N	N	Y	Y	Y	Y	Y	Y	Y	Y	Y	Y	Y	Y	Y	Y
	R3	N		N	N	Y	Y	Y	Y	Y	Y	Y	Y	Y	Y	Y	Y	Y	Y
	R4	N	N		N	Y	Y	Y	Y	Y	Y	Y	Y	Y	Y	Y	Y	Y	Y
	R5	N	N	N		Y	Y	Y	Y	Y	Y	Y	Y	Y	Y	Y	Y	Y	Y
Surge	-	Y	Y	Y	Y		N	Y	Y	Y	Y	Y	Y	Y	Y	Y	Y	Y	Y
	20KV	Y	Y	Y	Y	Y	N	Y	Y	Y	Y	Y	Y	Y	Y	Y	Y	Y	N
Receptacle	-	Y	Y	Y	Y	Y	Y		N	N	Y	Y	Y	Y	Y	Y	Y	Y	Y
	NR	Y	Y	Y	Y	Y	Y	N		N	N	N	N	N	N	Y	Y	Y	Y
	P7	Y	Y	Y	Y	Y	Y	N	N		Y	Y	Y	Y	Y	Y	Y	Y	Y
Photocontrols	PCLL	Y	Y	Y	Y	Y	Y	Y	N	Y		N	N	N	N	Y	Y	Y	Y
	PCSS	Y	Y	Y	Y	Y	Y	Y	N	Y		N	N	N	N	Y	Y	Y	Y
	P34	Y	Y	Y	Y	Y	Y	Y	N	Y		N	N	N	N	Y	Y	Y	Y
	P48	Y	Y	Y	Y	Y	Y	Y	Y	N	N		N	N	N	Y	Y	Y	Y
	SH	Y	Y	Y	Y	Y	Y	Y	N	Y	N	N		N	N	Y	Y	Y	Y
SHX	Y	Y	Y	Y	Y	Y	Y	N	Y	N	N	N		N	Y	Y	Y	Y	
Dimming	-	Y	Y	Y	Y	Y	Y	Y	Y	Y	Y	Y	Y	Y	Y		N	N	N
	PND	Y	Y	Y	Y	Y	Y	Y	Y	Y	Y	Y	Y	Y	Y	N		N	N
	A0	Y	Y	Y	Y	Y	Y	Y	Y	Y	Y	Y	Y	Y	Y	N	N		N
	DALI	Y	Y	Y	Y	Y	Y	N	Y	Y	Y	Y	Y	Y	Y	N	N	N	
Other Options	SS	Y	Y	Y	Y	Y	Y	Y	Y	Y	Y	Y	Y	Y	Y	Y	Y	Y	Y
	TL	Y	Y	Y	Y	Y	Y	Y	Y	Y	Y	Y	Y	Y	Y	Y	Y	Y	Y
	NL1X1	Y	Y	Y	Y	Y	Y	Y	Y	Y	Y	Y	Y	Y	Y	Y	Y	Y	Y
	NL2X2	Y	Y	Y	Y	Y	Y	Y	Y	Y	Y	Y	Y	Y	Y	Y	Y	Y	Y
	XL	Y	Y	Y	Y	Y	Y	Y	Y	Y	Y	M	Y	Y	Y	M	Y	Y	Y
	LDR	Y	Y	Y	Y	Y	Y	Y	Y	Y	Y	Y	Y	Y	Y	Y	Y	Y	Y
	RCC	Y	Y	Y	Y	Y	Y	Y	N	Y	Y	Y	Y	Y	Y	Y	Y	Y	Y
	XC	Y	Y	Y	Y	Y	Y	Y	Y	Y	Y	Y	Y	Y	Y	Y	Y	Y	Y
	CR	Y	Y	Y	Y	Y	Y	Y	Y	Y	Y	Y	Y	Y	Y	Y	Y	Y	Y
	FPDxx	Y	Y	Y	Y	Y	Y	Y	Y	Y	Y	Y	Y	Y	Y	Y	Y	Y	N
HSS	Y	Y	Y	Y	Y	Y	Y	Y	Y	Y	Y	Y	Y	Y	Y	Y	Y	Y	

MATRIX KEY
M = Must have: one of these must be installed for the luminaire to operate
N = Combination not available
Y = Valid option combination

Parameters		Other Options										
		SS	TL	NL1X1	NL2X2	XL	LDR	RCC	XC	CR	FPDxx	HSS
AS	P10	Y	Y	Y	Y	Y	Y	Y	Y	Y	Y	Y
	P15	Y	Y	Y	Y	Y	Y	Y	Y	Y	Y	Y
	P20	Y	Y	Y	Y	Y	Y	Y	Y	Y	Y	Y
	P25	Y	Y	Y	Y	Y	Y	Y	Y	Y	Y	Y
	P30	Y	Y	Y	Y	Y	Y	Y	Y	Y	Y	Y
	P35	Y	Y	Y	Y	Y	Y	Y	Y	Y	Y	Y
	P40	Y	Y	Y	Y	Y	Y	Y	Y	Y	Y	Y
	P45	Y	Y	Y	Y	Y	Y	Y	Y	Y	Y	Y
	P50	Y	Y	Y	Y	Y	Y	Y	Y	Y	Y	Y
	P55	Y	Y	Y	Y	Y	Y	Y	Y	Y	Y	Y
P60	Y	Y	Y	Y	Y	Y	Y	Y	Y	Y	Y	
AH	P10	Y	Y	Y	Y	Y	Y	Y	Y	Y	Y	Y
	P15	Y	Y	Y	Y	Y	Y	Y	Y	Y	Y	Y
	P20	Y	Y	Y	Y	Y	Y	Y	Y	Y	Y	Y
	P25	Y	Y	Y	Y	Y	Y	Y	Y	Y	Y	Y
	P30	Y	Y	Y	Y	Y	Y	Y	Y	Y	Y	Y
	P35	Y	Y	Y	Y	Y	Y	Y	Y	Y	Y	Y
	P40	Y	Y	Y	Y	Y	Y	Y	Y	Y	Y	Y
	P45	Y	Y	Y	Y	Y	Y	Y	Y	Y	Y	Y
	P50	Y	Y	Y	Y	Y	Y	Y	Y	Y	Y	Y
	P55	Y	Y	Y	Y	Y	Y	Y	Y	Y	Y	Y
P60	Y	Y	Y	Y	Y	Y	Y	Y	Y	Y	Y	
Color Temperature	27K	Y	Y	Y	Y	Y	Y	Y	Y	Y	Y	Y
	30K	Y	Y	Y	Y	Y	Y	Y	Y	Y	Y	Y
	40K	Y	Y	Y	Y	Y	Y	Y	Y	Y	Y	Y
	50K	Y	Y	Y	Y	Y	Y	Y	Y	Y	Y	Y
Distribution Options	R2	Y	Y	Y	Y	Y	Y	Y	Y	Y	Y	Y
	R3	Y	Y	Y	Y	Y	Y	Y	Y	Y	Y	Y
	R4	Y	Y	Y	Y	Y	Y	Y	Y	Y	Y	Y
	R5	Y	Y	Y	Y	Y	Y	Y	Y	Y	Y	Y
Surge	-	Y	Y	Y	Y	Y	Y	Y	Y	Y	Y	Y
	20KV	Y	Y	Y	Y	Y	Y	Y	Y	Y	Y	Y
Receptacle	-	Y	Y	Y	Y	Y	N	Y	Y	Y	Y	Y
	NR	Y	Y	Y	Y	Y	N	Y	Y	Y	Y	Y
	P7	Y	Y	Y	Y	Y	Y	Y	Y	Y	Y	Y
Photocontrols	PCLL	Y	Y	Y	Y	Y	Y	Y	Y	Y	Y	Y
	PCSS	Y	Y	Y	Y	Y	Y	Y	Y	Y	Y	Y
	P34	Y	Y	Y	Y	Y	Y	Y	Y	Y	Y	Y
	P48	Y	Y	Y	Y	Y	Y	Y	Y	Y	Y	Y
	SH	Y	Y	Y	Y	Y	Y	Y	Y	Y	Y	Y
	SHX	Y	Y	Y	Y	Y	Y	Y	Y	Y	Y	Y
Dimming	-	Y	Y	Y	Y	Y	Y	Y	Y	Y	Y	Y
	PND	Y	Y	Y	Y	Y	Y	Y	Y	Y	Y	Y
	AO	Y	Y	Y	Y	Y	Y	Y	Y	Y	Y	Y
	DALI	Y	Y	Y	Y	Y	Y	Y	Y	Y	N	Y
Other Options	SS		Y	Y	Y	Y	Y	Y	Y	Y	Y	Y
	TL	Y		Y	Y	Y	Y	Y	Y	Y	Y	Y
	NL1X1	Y	Y		Y	Y	Y	Y	Y	Y	Y	Y
	NL2X2	Y	Y	Y		Y	Y	Y	Y	Y	Y	Y
	XL	Y	Y	Y	Y		Y	Y	Y	Y	Y	Y
	LDR	Y	Y	Y	Y	Y		Y	Y	Y	Y	Y
	RCC	Y	Y	Y	Y	Y	Y		Y	Y	Y	Y
	XC	Y	Y	Y	Y	Y	Y	N		Y	Y	Y
	CR	Y	Y	Y	Y	Y	Y	Y	Y		Y	Y
	FPDxx	Y	Y	Y	Y	Y	Y	Y	Y	Y		Y
	HSS	Y	Y	Y	Y	Y	Y	Y	Y	Y	Y	

MATRIX KEY
M = Must have: one of these must be installed for the luminaire to operate
N = Combination not available
Y = Valid option combination

OPERATING CHARACTERISTICS

Performance Pkg	Watts	CCT	ARDCL							
			R2		R3		R4		R5	
			Lumens	LPW	Lumens	LPW	Lumens	LPW	Lumens	LPW
P10	24	2700K	2,378	99	2,343	98	2,387	99	2,611	109
		3000K	2,442	102	2,405	100	2,451	102	2,681	112
		4000K	2,628	110	2,589	108	2,639	110	2,886	120
		5000K	2,647	110	2,608	109	2,657	111	2,906	121
P15	34	2700K	3,161	93	3,114	92	3,173	93	3,471	102
		3000K	3,245	96	3,198	94	3,258	96	3,563	105
		4000K	3,494	103	3,442	101	3,507	103	3,836	113
		5000K	3,518	104	3,467	102	3,532	104	3,863	114
P20	41	2700K	3,614	88	3,561	86	3,628	88	3,968	96
		3000K	3,710	90	3,656	89	3,725	90	4,074	99
		4000K	3,994	97	3,935	96	4,010	97	4,386	106
		5000K	4,023	98	3,963	96	4,038	98	4,417	107
P25	52	2700K	4,196	81	4,134	80	4,213	82	4,607	89
		3000K	4,308	84	4,245	82	4,325	84	4,730	92
		4000K	4,638	90	4,569	89	4,656	90	5,092	99
		5000K	4,671	91	4,602	89	4,689	91	5,128	99
P30	46	2700K	4,665	101	4,596	100	4,683	102	5,122	111
		3000K	4,790	104	4,719	102	4,809	104	5,259	114
		4000K	5,156	112	5,080	110	5,176	112	5,661	123
		5000K	5,193	113	5,116	111	5,213	104	5,702	104
P35	65	2700K	6,150	95	6,059	93	6,174	95	6,752	104
		3000K	6,314	97	6,221	96	6,339	97	6,933	107
		4000K	6,797	104	6,696	103	6,823	105	7,463	115
		5000K	6,845	105	6,744	104	6,872	106	7,516	116
P40	78	2700K	6,992	90	6,889	88	7,020	90	7,677	98
		3000K	7,179	92	7,073	91	7,207	92	7,883	101
		4000K	7,728	99	7,614	98	7,758	100	8,485	109
		5000K	7,783	100	7,668	98	7,814	100	8,546	110
P45	98	2700K	8,055	83	7,936	81	8,087	83	8,845	91
		3000K	8,271	85	8,149	83	8,303	85	9,081	93
		4000K	8,903	91	8,772	90	8,938	92	9,775	100
		5000K	8,966	92	8,834	90	9,002	92	9,845	101
P50	66	2700K	7,042	106	6,938	105	7,070	107	7,732	117
		3000K	7,230	109	7,124	107	7,259	109	7,939	120
		4000K	7,783	117	7,668	116	7,814	118	8,546	129
		5000K	7,839	118	7,723	116	7,869	119	8,607	130
P55	94	2700K	9,308	99	9,170	97	9,344	99	10,220	108
		3000K	9,556	101	9,415	100	9,594	102	10,493	111
		4000K	10,287	109	10,135	107	10,327	109	11,295	120
		5000K	10,360	110	10,208	108	10,401	110	11,376	120
P60	111	2700K	10,602	96	10,446	95	10,644	96	11,641	105
		3000K	10,885	98	10,725	97	10,928	99	11,952	108
		4000K	11,718	106	11,545	104	11,764	106	12,866	116
		5000K	11,801	107	11,627	105	11,847	107	12,958	117

American Revolution Deluxe Full Cutoff LED Series ARDCL

Factory Programmable Driver Settings (P10 through P35 Packages)

FPDxx setting	Wattage
Standard	24
FPD95	23
FPD90	22
FPD85	21
FPD80	20
FPD75	19

P10 27K				
R2	R3	R4	R5	
2,378	2,343	2,387	2,611	
2,275	2,242	2,284	2,498	
2,172	2,140	2,180	2,385	
2,066	2,036	2,074	2,269	
1,960	1,931	1,968	2,152	
1,852	1,825	1,860	2,034	

P10 30K				
R2	R3	R4	R5	
2,442	2,405	2,451	2,681	
2,336	2,302	2,345	2,565	
2,230	2,197	2,239	2,448	
2,121	2,090	2,130	2,329	
2,013	1,983	2,021	2,210	
1,902	1,874	1,909	2,088	

P10 40K				
R2	R3	R4	R5	
2,628	2,589	2,639	2,886	
2,515	2,478	2,525	2,761	
2,400	2,365	2,410	2,636	
2,284	2,250	2,292	2,507	
2,167	2,135	2,175	2,379	
2,047	2,017	2,055	2,248	

P10 50K				
R2	R3	R4	R5	
2,647	2,608	2,657	2,906	
2,533	2,495	2,543	2,781	
2,418	2,382	2,427	2,654	
2,300	2,266	2,309	2,525	
2,182	2,150	2,191	2,396	
2,062	2,031	2,070	2,264	

FPDxx setting	Wattage
Standard	34
FPD95	33
FPD90	31
FPD85	30
FPD80	28
FPD75	27

P15 27K				
R2	R3	R4	R5	
3,161	3,114	3,173	3,471	
3,032	2,987	3,044	3,329	
2,899	2,857	2,911	3,184	
2,765	2,724	2,776	3,036	
2,627	2,589	2,638	2,885	
2,488	2,451	2,497	2,731	

P15 30K				
R2	R3	R4	R5	
3,245	3,198	3,258	3,563	
3,113	3,067	3,125	3,418	
2,977	2,933	2,989	3,269	
2,839	2,797	2,850	3,117	
2,698	2,658	2,708	2,962	
2,554	2,516	2,564	2,804	

P15 40K				
R2	R3	R4	R5	
3,494	3,442	3,507	3,836	
3,351	3,301	3,364	3,679	
3,205	3,157	3,217	3,519	
3,056	3,011	3,068	3,355	
2,904	2,861	2,915	3,188	
2,749	2,709	2,760	3,019	

P15 50K				
R2	R3	R4	R5	
3,518	3,467	3,532	3,863	
3,375	3,325	3,388	3,705	
3,227	3,180	3,240	3,544	
3,077	3,032	3,089	3,379	
2,925	2,881	2,936	3,211	
2,769	2,728	2,780	3,040	

FPDxx setting	Wattage
Standard	41
FPD95	40
FPD90	38
FPD85	36
FPD80	33

P20 27K				
R2	R3	R4	R5	
3,614	3,561	3,628	3,968	
3,473	3,421	3,486	3,813	
3,328	3,279	3,341	3,654	
3,179	3,132	3,192	3,491	
2,864	2,822	2,875	3,145	

P20 30K				
R2	R3	R4	R5	
3,710	3,656	3,725	4,074	
3,565	3,513	3,579	3,915	
3,417	3,367	3,430	3,752	
3,264	3,216	3,277	3,584	
2,941	2,897	2,952	3,229	

P20 40K				
R2	R3	R4	R5	
3,994	3,935	4,010	4,386	
3,838	3,781	3,853	4,214	
3,678	3,624	3,693	4,039	
3,514	3,462	3,527	3,858	
3,166	3,119	3,178	3,476	

P20 50K				
R2	R3	R4	R5	
4,023	3,963	4,038	4,417	
3,865	3,808	3,881	4,244	
3,704	3,650	3,719	4,067	
3,539	3,486	3,553	3,885	
3,188	3,141	3,201	3,500	

FPDxx setting	Wattage
Standard	52
FPD95	50
FPD90	48
FPD85	46

P25 27K				
R2	R3	R4	R5	
4,196	4,134	4,213	4,607	
4,046	3,987	4,062	4,443	
3,891	3,834	3,907	4,273	
3,729	3,674	3,744	4,095	

P25 30K				
R2	R3	R4	R5	
4,308	4,245	4,325	4,730	
4,155	4,093	4,171	4,562	
3,995	3,936	4,011	4,387	
3,829	3,773	3,844	4,204	

P25 40K				
R2	R3	R4	R5	
4,638	4,569	4,656	5,092	
4,472	4,406	4,490	4,911	
4,301	4,237	4,318	4,722	
4,122	4,061	4,138	4,526	

P25 50K				
R2	R3	R4	R5	
4,671	4,602	4,689	5,128	
4,504	4,438	4,522	4,946	
4,331	4,267	4,348	4,756	
4,151	4,090	4,167	4,558	

FPDxx setting	Wattage
Standard	46
FPD95	44
FPD90	42
FPD85	39
FPD80	35

P30 27K				
R2	R3	R4	R5	
4,665	4,596	4,683	5,122	
4,471	4,405	4,489	4,910	
4,274	4,211	4,291	4,693	
3,898	3,841	3,913	4,280	
3,535	3,483	3,549	3,882	

P30 30K				
R2	R3	R4	R5	
4,790	4,719	4,809	5,259	
4,591	4,523	4,609	5,041	
4,389	4,324	4,406	4,819	
4,002	3,943	4,018	4,395	
3,630	3,576	3,644	3,986	

P30 40K				
R2	R3	R4	R5	
5,156	5,080	5,176	5,661	
4,942	4,869	4,961	5,426	
4,724	4,655	4,743	5,187	
4,308	4,245	4,325	4,731	
3,907	3,850	3,923	4,290	

P30 50K				
R2	R3	R4	R5	
5,193	5,116	5,213	5,702	
4,977	4,904	4,997	5,465	
4,758	4,688	4,777	5,224	
4,339	4,275	4,356	4,764	
3,935	3,877	3,951	4,321	

FPDxx setting	Wattage
Standard	65
FPD95	63
FPD90	60
FPD85	57
FPD80	55
FPD75	52

P35 27K				
R2	R3	R4	R5	
6,150	6,059	6,174	6,752	
5,917	5,830	5,941	6,497	
5,677	5,594	5,700	6,234	
5,430	5,349	5,451	5,962	
5,174	5,098	5,194	5,681	
4,912	4,839	4,931	5,393	

P35 30K				
R2	R3	R4	R5	
6,314	6,221	6,339	6,933	
6,076	5,986	6,099	6,671	
5,829	5,743	5,852	6,400	
5,575	5,492	5,597	6,121	
5,312	5,234	5,333	5,833	
5,043	4,969	5,063	5,537	

P35 40K				
R2	R3	R4	R5	
6,797	6,696	6,823	7,463	
6,540	6,444	6,566	7,181	
6,275	6,182	6,299	6,890	
6,001	5,912	6,025	6,589	
5,719	5,634	5,741	6,279	
5,429	5,349	5,450	5,961	

P35 50K				
R2	R3	R4	R5	
6,845	6,744	6,872	7,516	
6,587	6,489	6,612	7,232	
6,320	6,226	6,344	6,939	
6,044	5,955	6,067	6,636	
5,759	5,674	5,782	6,324	
5,467	5,387	5,489	6,003	

American Revolution Deluxe Full Cutoff LED Series ARDCL

Factory Programmable Driver Settings (P40 through P60 Packages)

FPDxx setting		P40 27K				P40 30K				P40 40K				P40 50K			
Wattage		R2	R3	R4	R5	R2	R3	R4	R5	R2	R3	R4	R5	R2	R3	R4	R5
Standard	78	6,992	6,889	7,020	7,677	7,179	7,073	7,207	7,883	7,728	7,614	7,758	8,485	7,783	7,668	7,814	8,546
FPD95	74	6,643	6,545	6,669	7,294	6,820	6,720	6,847	7,489	7,342	7,233	7,370	8,061	7,394	7,285	7,423	8,119
FPD90	70	6,293	6,200	6,318	6,910	6,461	6,366	6,487	7,094	6,955	6,853	6,983	7,637	7,005	6,901	7,032	7,691
FPD85	66	5,943	5,856	5,967	6,526	6,102	6,012	6,126	6,700	6,569	6,472	6,595	7,213	6,616	6,518	6,642	7,264
FPDxx setting		P45 27K				P45 30K				P45 40K				P45 50K			
Wattage		R2	R3	R4	R5	R2	R3	R4	R5	R2	R3	R4	R5	R2	R3	R4	R5
Standard	98	8,055	7,936	8,087	8,845	8,271	8,149	8,303	9,081	8,903	8,772	8,938	9,775	8,966	8,834	9,002	9,845
FPD95	97	8,032	7,914	8,064	8,819	8,247	8,125	8,279	9,055	8,878	8,747	8,912	9,748	8,941	8,809	8,976	9,817
FPD90	94	7,782	7,668	7,813	8,545	7,990	7,872	8,022	8,773	8,601	8,474	8,635	9,444	8,663	8,535	8,697	9,512
FPD85	91	7,511	7,400	7,540	8,247	7,711	7,598	7,742	8,467	8,301	8,179	8,334	9,115	8,360	8,237	8,393	9,179
FPDxx setting		P50 27K				P50 30K				P50 40K				P50 50K			
Wattage		R2	R3	R4	R5	R2	R3	R4	R5	R2	R3	R4	R5	R2	R3	R4	R5
Standard	66	7,042	6,938	7,070	7,732	7,230	7,124	7,259	7,939	7,783	7,668	7,814	8,546	7,839	7,723	7,869	8,607
FPD95	64	6,752	6,653	6,779	7,414	6,933	6,831	6,960	7,612	7,463	7,353	7,492	8,194	7,516	7,405	7,546	8,253
FPD90	61	6,456	6,360	6,481	7,088	6,628	6,530	6,654	7,278	7,135	7,030	7,163	7,834	7,186	7,080	7,214	7,890
FPD85	58	6,154	6,064	6,178	6,757	6,319	6,226	6,344	6,938	6,802	6,702	6,829	7,469	6,850	6,749	6,877	7,522
FPD80	55	5,848	5,762	5,871	6,421	6,005	5,916	6,028	6,593	6,464	6,368	6,489	7,097	6,510	6,414	6,535	7,148
FPDxx setting		P55 27K				P55 30K				P55 40K				P55 50K			
Wattage		R2	R3	R4	R5	R2	R3	R4	R5	R2	R3	R4	R5	R2	R3	R4	R5
Standard	94	9,308	9,170	9,344	10,220	9,556	9,415	9,594	10,493	10,287	10,135	10,327	11,295	10,360	10,208	10,401	11,376
FPD95	91	8,964	8,831	8,999	9,842	9,203	9,067	9,239	10,105	9,907	9,761	9,946	10,878	9,978	9,830	10,017	10,955
FPD90	87	8,606	8,479	8,639	9,449	8,836	8,705	8,870	9,702	9,511	9,371	9,549	10,443	9,579	9,438	9,617	10,518
FPD85	84	8,235	8,113	8,267	9,042	8,455	8,330	8,488	9,283	9,101	8,967	9,137	9,993	9,166	9,031	9,202	10,065
FPD80	80	7,853	7,738	7,884	8,623	8,063	7,944	8,095	8,854	8,680	8,552	8,714	9,530	8,742	8,613	8,776	9,598
FPD75	76	7,458	7,348	7,487	8,189	7,657	7,544	7,687	8,408	8,243	8,121	8,275	9,051	8,302	8,179	8,334	9,115
FPDxx setting		P60 27K				P60 30K				P60 40K				P60 50K			
Wattage		R2	R3	R4	R5	R2	R3	R4	R5	R2	R3	R4	R5	R2	R3	R4	R5
Standard	111	10,602	10,446	10,644	11,641	10,885	10,725	10,928	11,952	11,718	11,545	11,764	12,866	11,801	11,627	11,847	12,958
FPD95	107	10,249	10,098	10,290	11,254	10,523	10,368	10,565	11,555	11,328	11,161	11,372	12,438	11,409	11,240	11,454	12,527
FPD90	103	9,877	9,731	9,916	10,845	10,141	9,991	10,181	11,135	10,916	10,755	10,959	11,986	10,994	10,832	11,037	12,072
FPD85	99	9,484	9,345	9,522	10,414	9,738	9,594	9,776	10,692	10,483	10,328	10,524	11,510	10,557	10,401	10,599	11,592

PROJECTED LED LUMEN MAINTENANCE

Data references the extrapolated performance projections for the platforms noted in a 25°C ambient, based on 6,000 hours of LED testing (tested per IESNA LM-80-08 and projected per IESNA TM-21-11). To calculate LLF, use the lumen maintenance factor that corresponds to the desired number of operating hours below. For other lumen maintenance values, contact factory.

Lumen Maintenance (LLD)						
Initial	25k hrs	36k hrs	50k hrs	60k hrs	75k hrs	100k hrs
1	0.960	0.940	0.930	0.910	0.890	0.860

LUMEN AMBIENT TEMPERATURE (LAT) MULTIPLIERS

Use these factors to determine relative lumen output for average ambient temperatures from 0-40°C (32-104°F).

Ambient Temperature Lumen Multipliers								
0°C	5°C	10°C	15°C	20°C	25°C	30°C	35°C	40°C
1.04	1.03	1.02	1.02	1.01	1.00	0.99	0.98	0.97



Outdoor Lighting Pole Specifications

Smooth Round Tapered Composite for Post Top Luminaires



Smooth round tapered composite poles constructed of heavy duty fiberglass reinforced pigmented polyester resin for single pole top luminaires. Poles are directly embedded for use with underground supplied conductors only.

Light fixtures that match well with this pole include:

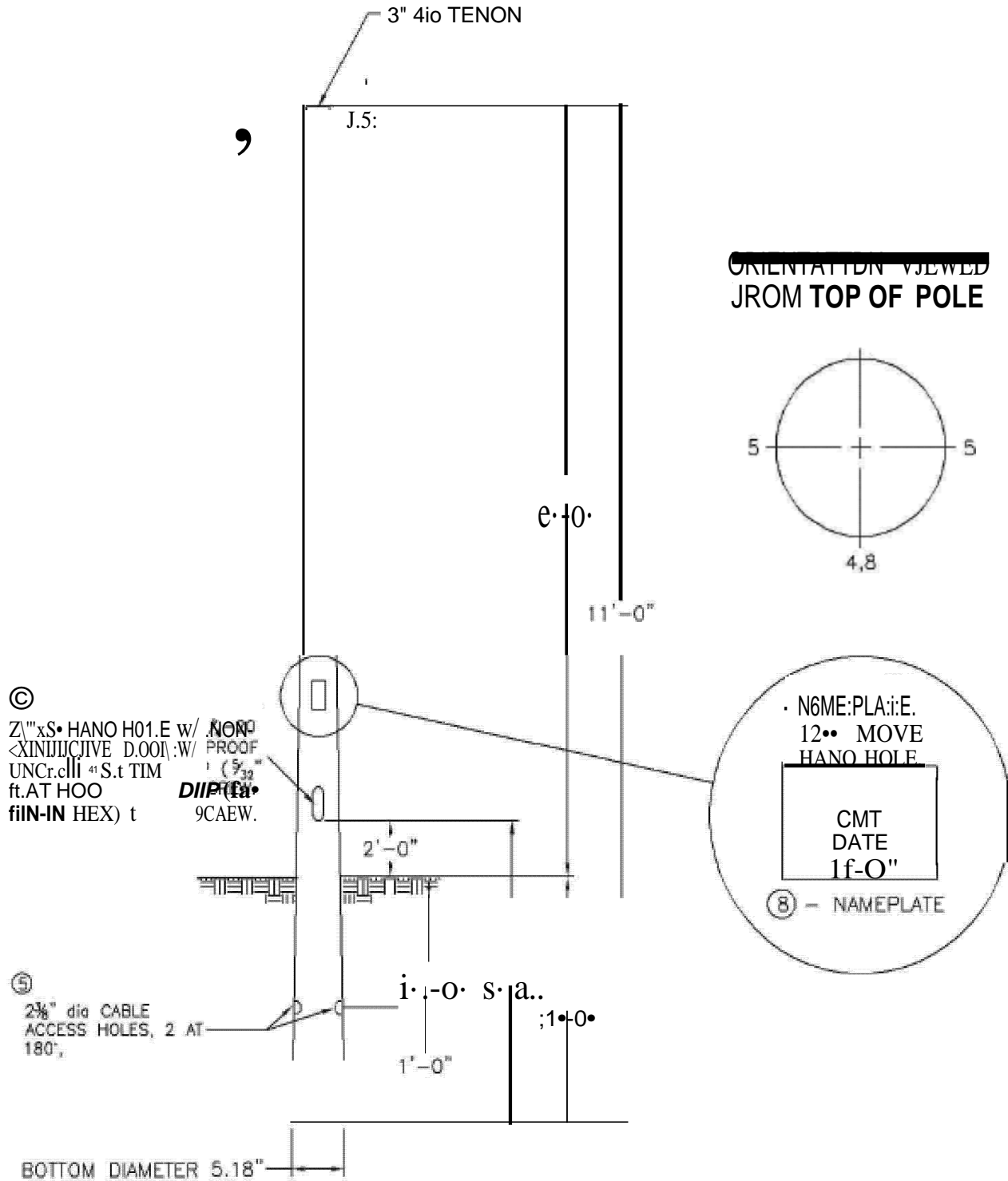
- All LED Acorn styles
- All LED Colonial styles
- Premium LED Cutoff styles
- Premium LED Lantern styles

POLE SPECIFICATIONS

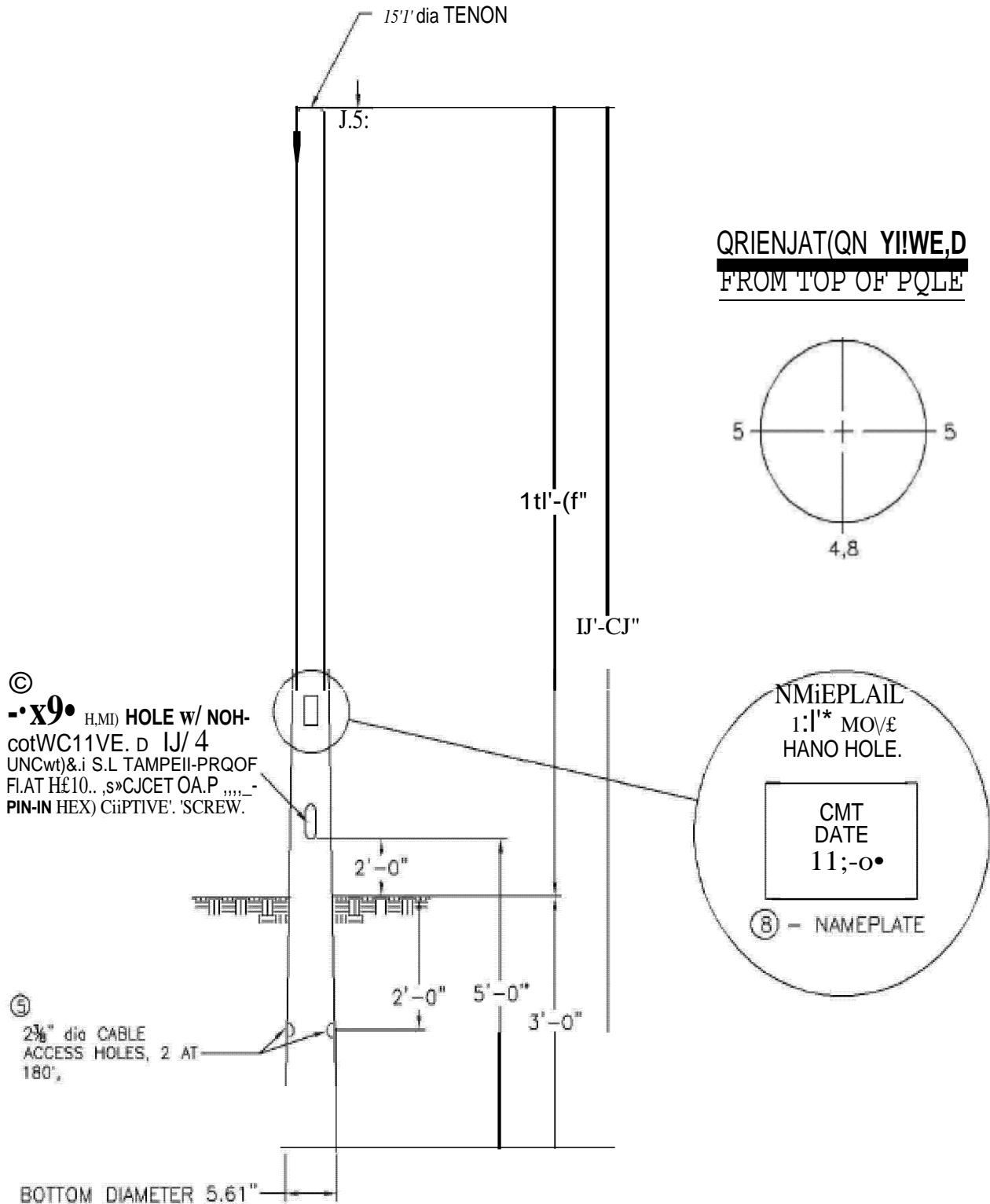
FIXTURE MOUNTING HEIGHT (ft)	TOTAL POLE LENGTH (ft)	BUTT DIAMETER (in)	GROUNDLINE DIAMETER (in)	EMBED or ANCHOR BASE	FINISH COLOR	WMIS CU	POLE ONLY STOCK #
8.0	11.0	5.2	4.7	Embed	Black RAL-9017	PF11	50499800
10.0	13.0	5.6	5.0	Embed	Black RAL-9017	PF13	50500000
12.0	16.0	6.3	5.4	Embed	Black RAL-9017	PF16	42124132
14.0	18.0	6.7	5.8	Embed	Black RAL-9017	PF18	50501000

Many localities have restrictions on light distribution and placement of outdoor lighting equipment. Consult with your local government before selecting outdoor lighting equipment.

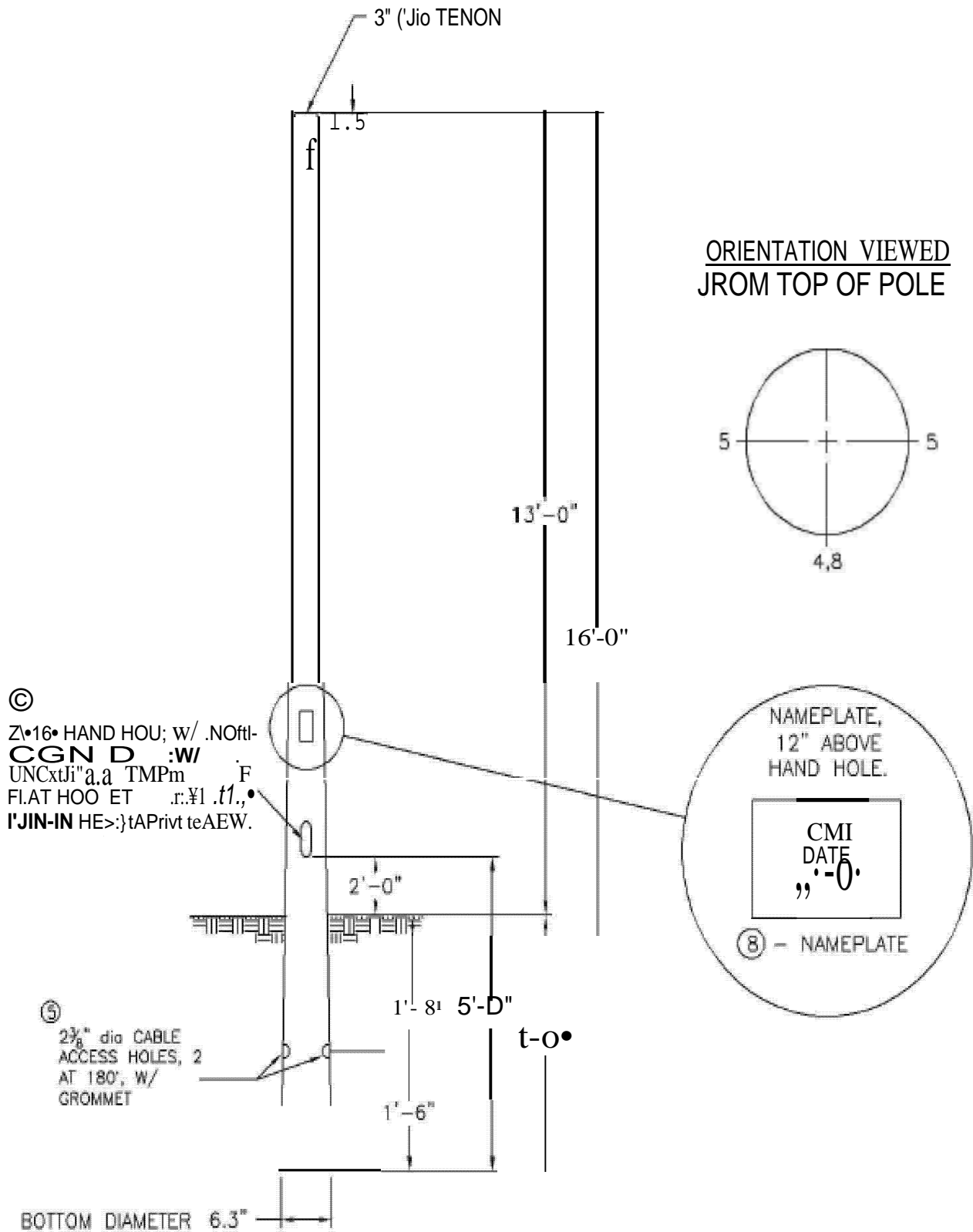
11' Direct Embed Composite Pole



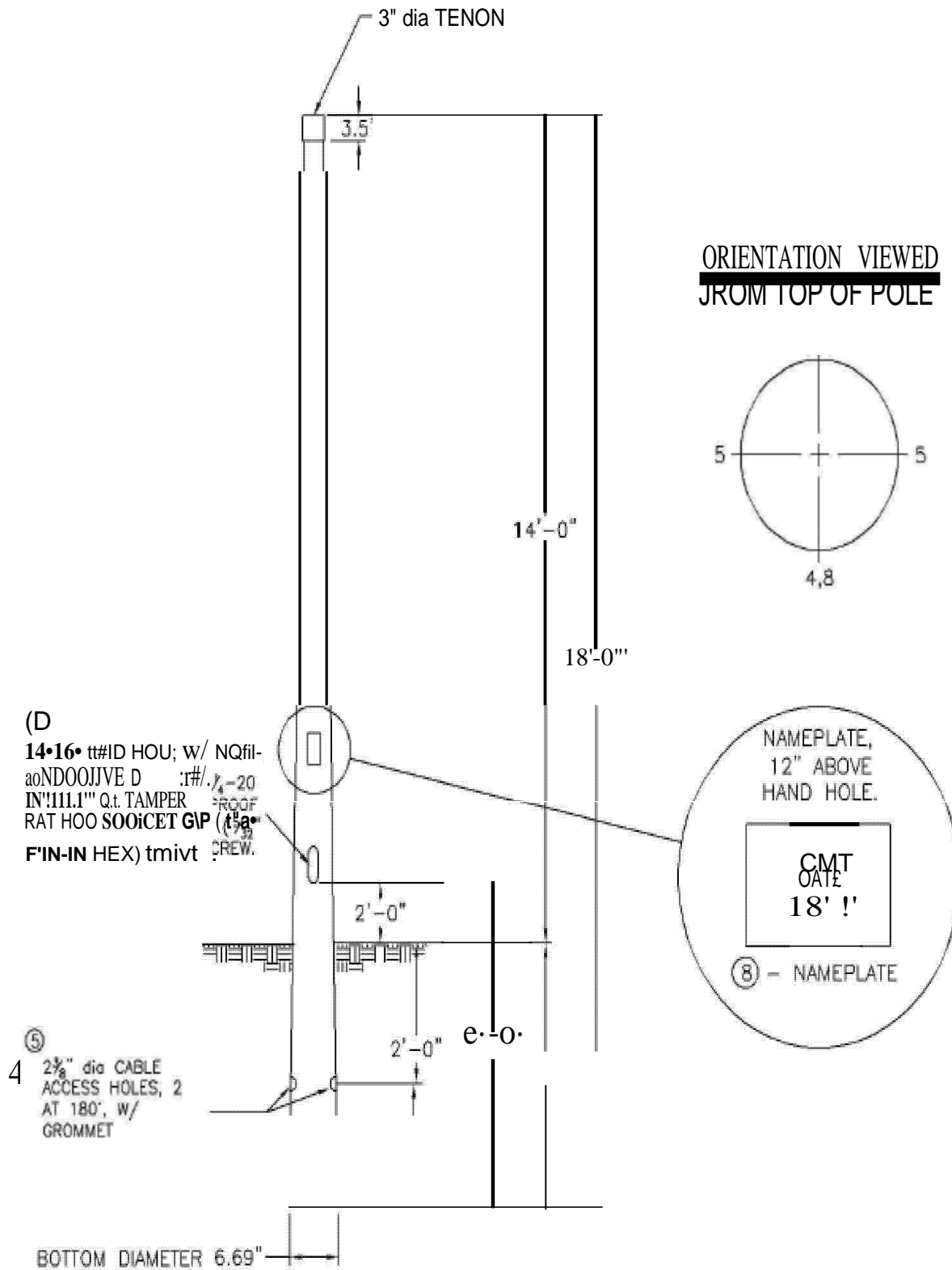
13' Direct Embed Composite Pole



16' Direct Embed Composite Pole



18' Direct Embed Composite Pole





**Shoebox
(70W-100W EQ)**

The Shoebox luminaire provides a full cut-off distribution for lighting roadways and parking areas.

Comparable HID Wattage	Finish Color	Initial Lamp Lumens	Lighting Pattern	Correlated Color Temperature (CCT)	Input Wattage	Billing Tier	B-U-G Rating	Recommended Mounting Height (ft.)	Luminaire Stock #	WMIS CU Code
70	Black	3953	Type II	3000	37	2	1-	20 -	42341558	LEDSBBA0323BX
70	Gray	3953	Type II	3000	37	2	1-	20 -	42341559	LEDSBBA0323G
70	Black	4204	Type II	4000	37	2	1-	20 -	42341560	LEDSBBA0324BX
70	Gray	4204	Type II	4000	37	2	1-	20 -	42341561	LEDSBBA0324G
70	Black	3933	Type	3000	37	2	1-0-1	20 - 25	42323689	LEDSBBA0333BX
70	Gray	3933	Type	3000	37	2	1-0-1	20 - 25	42323687	LEDSBBA0333G
70	Black	3934	Type	3000	37	2	1-	20 - 25	42323690	LEDSBBA0343BX
70	Gray	3934	Type	3000	37	2	1-	20 - 25	42323688	LEDSBBA0343G
70	Black	4194	Type	4000	37	2	1-0-1	20 - 25	42315809	LEDSBBA0334BX
70	Gray	4194	Type	4000	37	2	1-0-1	20 - 25	42315789	LEDSBBA0334G
70	Black	4232	Type	4000	37	2	1-	20 - 25	42315812	LEDSBBA0344BX
70	Gray	4232	Type	4000	37	2	1-	20 - 25	42315790	LEDSBBA0344G
<hr/>										
100	Black	5283	Type II	3000	52	2	1-	25 -	42341562	LEDSBBA0523BX
100	Gray	5283	Type II	3000	52	2	1-	25 -	42341563	LEDSBBA0523G
100	Black	5653	Type II	4000	52	2	1-	25 -	42341564	LEDSBBA0524BX
100	Gray	5653	Type II	4000	52	2	1-	25 -	42341565	LEDSBBA0524G
100	Black	5232	Type	3000	52	2	1-0-1	25 - 30	42323693	LEDSBBA0533BX
100	Gray	5232	Type	3000	52	2	1-0-1	25 - 30	42323691	LEDSBBA0533G
100	Black	5383	Type	3000	52	2	1-	25 - 30	42323694	LEDSBBA0543BX
100	Gray	5383	Type	3000	52	2	1-	25 - 30	42323692	LEDSBBA0543G
100	Black	5632	Type	4000	52	2	1-0-1	25 - 30	42315810	LEDSBBA0534BX
100	Gray	5632	Type	4000	52	2	1-0-1	25 - 30	42315781	LEDSBBA0534G
100	Black	5653	Type	4000	52	2	1-	25 - 30	42315631	LEDSBBA0544BX
100	Gray	5653	Type	4000	52	2	1-	25 - 30	42315782	LEDSBBA0544G



Consistent with LEED® goals
& Green Globes™ criteria
for light pollution reduction

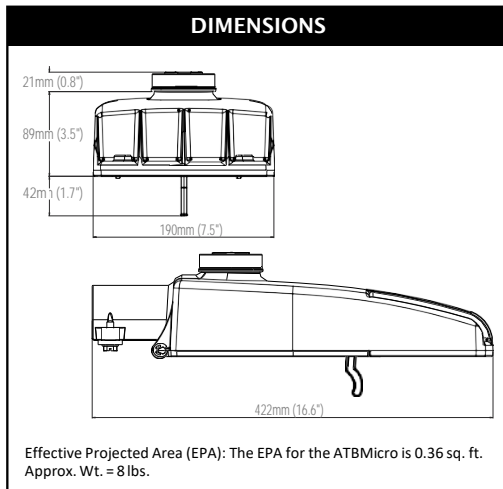
Autobahn Series ATB Micro Roadway Lighting

PRODUCT OVERVIEW



Applications:

- Roadways
- Off ramps
- Residential streets
- Parking lots



STANDARDS

Color temperatures of $\leq 3000\text{K}$ must be specified for International Dark-Sky Association certification.

Rated for -40°C to 40°C ambient

CSA Certified to U.S. and Canadian standards

Complies with ANSI: C136.2, C136.10, C136.14, C136.31, C136.15, C136.37

Features:

OPTICAL

Same Light: Performance is comparable to 70-100W HPS roadway luminaires.

White Light: Correlated color temperature - 4000K, 70 CRI minimum, 3000K, 70 CRI minimum or optional 5000K, 70 CRI minimum.

Unique IP66 rated LED light engines provided 0% uplight and restrict backlight to within sidewalk depth, providing optimal application coverage and optimal pole spacing. Available in Typell, III and V roadway distributions.

ELECTRICAL

Expected Life: LED light engines are rated $>100,000$ hours at 25°C , L70. Electronic driver has an expected life of 100,000 hours at a 25°C ambient.

Lower Energy: Saves an expected of 40-60% over comparable HID luminaires.

Robust Surge Protection: Two different surge protection options provide a minimum of ANSI C136.2 10kV/5kA protection. 20kV/10kA protection is also available.

MECHANICAL

Includes standard AEL lineman-friendly features such as tool-less entry, 3 station terminal block and quick disconnects. Bubble level located inside the electrical compartment for easily leveling at installation.

Rugged die-cast aluminum housing and door are polyester powder-coated for durability and corrosion resistance. Rigorous five-stage pre-treating and painting process yields a finish that achieves a scribe creepage rating of 7 (per ASTM D1654) after over 5000 hours exposure to salt fog chamber (operated per ASTM B117).

Mount arm is adjustable for arms from 1-1/4" to 2" (1-5/8" to 2-3/8" O.D.) diameter. Provides a 3G vibration rating per ANSI C136.31

CONTROLS

NEMA 3 pin photocontrol receptacle is standard, with the Acuity designed ANSI standard 7 pin receptacle optionally available.

Premium solid state locking style photocontrol - PCSS (10 year rated life) Extreme long life solid state locking style photocontrol - PCLL (20 year rated life).

Optional onboard Adjustable Output module allows the light output and input wattage to be modified to meet site specific requirements, and also can allow a single fixture to be flexibly applied in many different applications.

Note: Specifications subject to change without notice. Actual performance may differ as a result of end-user environment and application.



Autobahn Series ATBMicro Roadway Lighting

ORDERING INFORMATION

ATBMic	10BLEDE15	MVOLT	R4
Series	Performance Packages	Voltage	Optics
ATBMic Autobahn LED Roadway	10BLEDE60 10B Chips, 600mA Driver 10BLEDE70 10B Chips, 700mA Driver 10BLEDE85 10B Chips, 850mA Driver 10BLEDE10 10B Chips, 1050mA Driver 10BLEDE13 10B Chips, 1250mA Driver 10BLEDE15 10B Chips, 1500mA Driver	MVOLT Multi-volt, 120-277V 347 347V 480 480V	R2 Roadway Type II R3 Roadway Type III R4 Roadway Type IV R5 Roadway Type V

BK P7 NL

	Options
--	---------

Color Temperature (CCT)

- (Blank)** 4000K CCT, 70 CRI Min.
- 3K** 3000K CCT, 70 CRI Min.
- 5K** 5000K CCT, 70 CRI Min.

Paint

- (Blank)** Gray (Standard)
- BK** Black
- BZ** Bronze
- DDB** Dark Bronze
- GI** Graphite
- WH** White

Surge Protection

- (Blank)** Standard 20kV/10kA SPD
- MP** MOV Pack

Terminal Block

- (Blank)** Terminal Block (Standard)

Misc.

- BL** External Bubble Level
- HS** House-Side Shield
- NL** Nema Label
- XL** Not CSA Certified
- UMR-XX** 8" Horizontal Arm for Round Pole, Painted to match Fixture
- UMS-XX** 8" Horizontal Arm for Square Pole, Painted to match Fixture
- UMR-GALV** 8" Horizontal Arm for Round Pole, Galvanized

UMS-GALV 8" Horizontal Arm for Square Pole, Galvanized

- PW#** Pre-wire, # indicates wire length in one foot increments from 1' thru 10' (e.g. PW4 = 4' of pre-wire)

Controls

- (Blank)** 3 Pin NEMA Photocontrol Receptacle (Standard)
- P7** 7 Pin Photocontrol Receptacle (Dimmable Driver Included)
- NR** No Photocontrol Receptacle
- AO** Field Adjustable Output
- DM** 0V-10V Dimmable Driver (Controls by others)
- PCSS** 1 Solid State Lighting Photocontrol (120-277V)
- PCLL** Solid State Long Life Photocontrol
- SH** Shorting Cap

Notes

- 1 Not available in 347 or 480V.
- 2 Not available with DM, ML or NR.

Packaging

- (Blank)** Single Unit (Standard)
- JP** Job Pack (90/pallet)

Accessories

- ATBMICHS** House side shield

for field installation



AEL Headquarters, 3825 Columbus Road, Granville, OH 43023
 www.americanelectricalighting.com
 © 2018 Acuity Brands Lighting, Inc. All Rights Reserved. ATBMic 01/11/19

Warranty Five-year limited warranty. Complete warranty terms located at: www.acuitybrands.com/CustomerResources/Terms_and_conditions.aspx
 Actual performance may differ as a result of end-user environment and application. All values are design or typical values, measured under laboratory conditions at 25 °C. Specifications subject to change without notice.

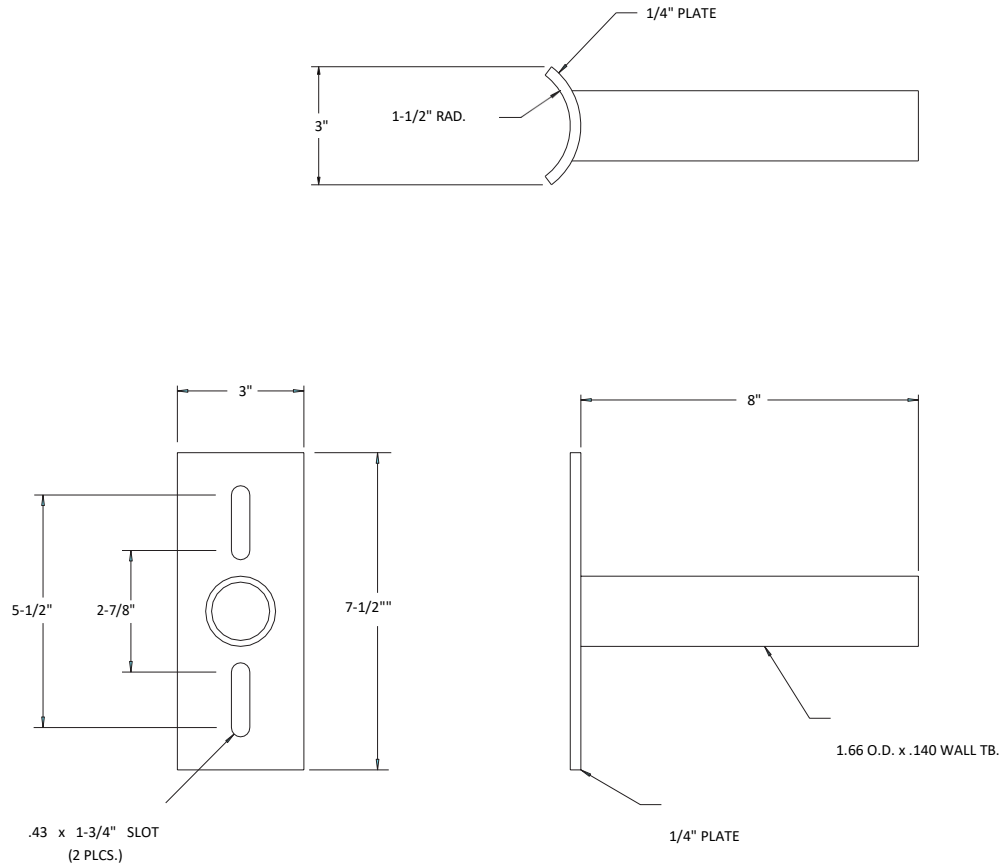
Please contact your sales representative for the latest product information.

PERFORMANCE PACKAGE

Performance Package	Drive Current (mA)	Input Watts	Optic	3K (3000K CCT, 70 CRI Min.)					4K/5K (4000K/5000K CCT, 70 CRI Min.)					LLD @ 25°C			
				Lumens	LPW	B	U	G	Lumens	LPW	B	U	G	25k Hours	75k Hours	100k Hours	
10B	600	20	R2	2,451	123	1	0	1	2,592	130	1	0	1	0.98	0.97	0.96	
	700	24		2,778	116	1	0	1	2,927	122	1	0	1	0.98	0.97	0.96	
	850	29		3,295	114	1	0	1	3,488	120	1	0	1	0.97	0.95	0.92	
	1050	37		3,953	107	1	0	2	4,204	114	1	0	2	0.97	0.95	0.92	
	1300	44		4,564	104	1	0	2	4,859	110	1	0	2	0.93	0.90	0.88	
	1500	52		5,283	102	1	0	2	5,653	109	1	0	2	0.93	0.90	0.88	
	600	20	R3	2,421	121	1	0	1	2,571	129	1	0	1	0.98	0.97	0.96	
	700	24		2,753	115	1	0	1	2,925	122	1	0	1	0.98	0.97	0.96	
	850	29		3,281	113	1	0	1	3,494	120	1	0	1	0.97	0.95	0.92	
	1050	37		3,933	106	1	0	1	4,194	113	1	0	1	0.97	0.95	0.92	
	1300	44		4,520	103	1	0	1	4,846	110	1	0	1	0.93	0.90	0.88	
	1500	52		5,232	101	1	0	1	5,632	108	1	0	1	0.93	0.90	0.88	
	600	20	R5	2,546	127	2	0	1	2,739	137	2	0	1	0.98	0.97	0.96	
	700	24		2,889	120	2	0	1	3,090	129	2	0	1	0.98	0.97	0.96	
	850	29		3,429	118	2	0	1	3,688	127	2	0	1	0.97	0.95	0.92	
	1050	37		4,113	111	3	0	1	4,440	120	3	0	1	0.97	0.95	0.92	
	1300	44		4,754	108	3	0	1	5,128	117	3	0	1	0.93	0.90	0.88	
	1500	52		5,494	106	3	0	1	5,945	114	3	0	1	0.93	0.90	0.88	
		1050	37	R4	3,934	106	1	0	1	4,232	114	1	0	1	0.97	0.95	0.92
		1500	54		5,383	100	1	0	2	5,653	105	1	0	2	0.93	0.90	0.88

UMR POLE ADAPTOR

RECOMMENDED FOR USE WITH POLES OF 4" DIAMETER OR SMALLER



UMS POLE ADAPTOR



AEL Headquarters, 3825 Columbus Road, Granville, OH 43023
 www.americanelectriclighting.com
 © 2018 Acuity Brands Lighting, Inc. All Rights Reserved. ATBMic 01/11/19

Warranty Five-year limited warranty. Complete warranty terms located at: www.acuitybrands.com/CustomerResources/Terms_and_conditions.aspx
 Actual performance may differ as a result of end-user environment and application. All values are design or typical values, measured under laboratory conditions at 25 °C. Specifications subject to change without notice.

Please contact your sales representative for the latest product information.



**Shoebox
(150W-250W EQ)**

The Shoebox luminaire provides a full cut-off distribution for lighting roadways and parking areas.

Comparable HID Wattage	Finish Color	Initial Lamp Lumens	Lighting Pattern	Correlated Color Temperature (CCT)	Input Wattage	Billing Tier	B-U-G Rating	Recommended Mounting Height (ft.)	Luminaire Stock #	WMIS CU Code
150	Black	8080	Type II	3000K	71	3	2-0-2	25 - 30	42341567	LEDSBBA0823BXXX
150	Gray	8080	Type II	3000K	71	3	2-0-2	25 - 30	42341566	LEDSBBA0823GXXX
150	Black	8506	Type II	4000K	71	3	2-0-2	25 - 30	42341568	LEDSBBA0824BXXX
150	Gray	8506	Type II	4000K	71	3	2-0-2	25 - 30	42339747	LEDSBBA0824GXXX
150	Black	8080	Type III	3000K	71	3	2-0-2	25 - 30	42323697	LEDSBBA0833BXXX
150	Gray	8080	Type III	3000K	71	3	2-0-2	25 - 30	42323695	LEDSBBA0833GXXX
150	Black	8101	Type IV	3000K	71	3	2-0-2	25 - 30	42323698	LEDSBBA0843BXXX
150	Gray	8101	Type IV	3000K	71	3	2-0-2	25 - 30	42323696	LEDSBBA0843GXXX
150	Black	8606	Type III	4000K	71	3	2-0-2	25 - 30	42315811	LEDSBBA0834BXXX
150	Gray	8606	Type III	4000K	71	3	2-0-2	25 - 30	42315783	LEDSBBA0834GXXX
150	Black	8569	Type IV	4000K	71	3	2-0-2	25 - 30	42315632	LEDSBBA0844BXXX
150	Gray	8569	Type IV	4000K	71	3	2-0-2	25 - 30	42315784	LEDSBBA0844GXXX
200	Gray	11936	Type III	3000K	105	4	3-0-3	30 - 35	42332134	LEDSBBA1233GXXX
250	Black	15381	Type III	3000K	145	5	3-0-3	30 - 35	42337108	LEDSBBA1533BXXX
250	Gray	15381	Type III	3000K	145	5	3-0-3	30 - 35	42329991	LEDSBBA1533GXXX
250	Black	14952	Type IV	3000K	145	5	3-0-3	30 - 35	42337109	LEDSBBA1543BXXX
250	Gray	14952	Type IV	3000K	145	5	3-0-3	30 - 35	42329992	LEDSBBA1543GXXX
250	Black	16193	Type III	4000K	145	5	3-0-3	30 - 35	42342703	LEDSBBA1534BXXX
250	Gray	16463	Type III	4000K	145	5	3-0-3	30 - 35	42315785	LEDSBBA1534GXXX
250	Black	16193	Type IV	4000K	145	5	3-0-3	30 - 35	42342704	LEDSBBA1544BXXX
250	Gray	16463	Type IV	4000K	145	5	3-0-3	30 - 35	42315786	LEDSBBA1544GXXX



Consistent with LEED® goals & Green Globes® criteria for light pollution reduction

Autobahn Series ATB0 Roadway Lighting

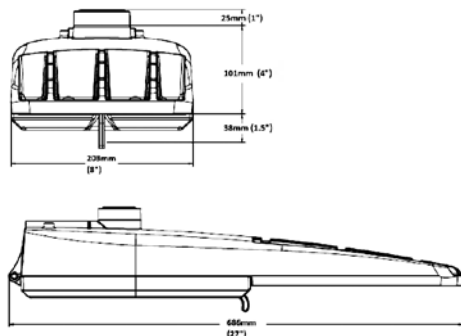
PRODUCT OVERVIEW



Applications:

- Roadways
- Off ramps
- Residential streets
- Parking lots

DIMENSIONS



Effective Projected Area (EPA): The EPA for the ATB0 is 0.76 sq. ft.
Approx. Wt. = 14 lbs.

STANDARDS

DesignLights Consortium® (DLC) qualified product. Not all versions of this product may be DLC qualified. Please check the DLC Qualified Products List at www.designlights.org/QPL to confirm which versions are qualified.

Color temperatures of $\leq 3000\text{K}$ must be specified for International Dark-Sky Association certification.

Rated for -40°C to 40°C ambient

CSA Certified to U.S. and Canadian standards

Complies with ANSI: C136.2, C136.10, C136.14, C136.31, C136.15, C136.37

Features:

OPTICAL

Same Light: Performance is comparable to 70-250W HPS roadway luminaires.

White Light: Correlated color temperature - 4000K, 70 CRI minimum, 3000K, 70 CRI minimum or optional 5000K, 70 CRI minimum.

Unique IP66 rated LED light engines provided 0% uplight and restrict backlight to within sidewalk depth, providing optimal application coverage and optimal pole spacing. Available in Type II, III, IV, and V roadway distributions.

ELECTRICAL

Expected Life: LED light engines are rated $>100,000$ hours at 25°C , L70. Electronic driver has an expected life of 100,000 hours at a 25°C ambient.

Lower Energy: Saves an expected of 40-60% over comparable HID luminaires.

Robust Surge Protection: Three different surge protection options provide a minimum of ANSI C136.2 10kV/5kA protection. 20kV/10kA protection is also available.

MECHANICAL

Includes standard AEL lineman-friendly features such as tool-less entry, 3 station terminal block and quick disconnects. Bubble level located inside the electrical compartment for easily leveling at installation.

Rugged die-cast aluminum housing and door are polyester powder-coated for durability and corrosion resistance. Rigorous five-stage pre-treating and painting process yields a finish that achieves a scribe creepage rating of 7 (per ASTM D1654) after over 5000 hours exposure to salt fog chamber (operated per ASTM B117).

Mount arm is adjustable for arms from 1-1/4" to 2" (1-5/8" to 2-3/8" O.D.) diameter. Provides a 3G vibration rating per ANSI C136.31

Wildlife shield is cast into the housing (not a separate piece).

CONTROLS

NEMA 3 pin photocontrol receptacle is standard, with the Acuity designed ANSI standard 7 pin receptacle optionally available.

Premium solid state locking style photocontrol - PCSS (10 year rated life) Extreme long life solid state locking style photocontrol - PCLL (20 year rated life).

Multi-level dimming available to provide scheduled dimming as specified by the customer.

Optional onboard Adjustable Output module allows the light output and input wattage to be modified to meet site specific requirements, and also can allow a single fixture to be flexibly applied in many different applications.

Note: Specifications subject to change without notice. Actual performance may differ as a result of end-user environment and application.



Autobahn Series ATB0 Roadway Lighting

ORDERING INFORMATION

Example: ATB0 30LEDE10 MVOLT R2

ATB0	20BLEDE10	MVOLT	R4
Series	Performance Packages	Voltage	Optics
ATB0 Autobahn LED Roadway	10BLEDE70 10B Chips, 700mA Driver 10BLEDE10 10B Chips, 1050mA Driver 10BLEDE15 10B Chips, 1500mA Driver 20BLEDE53 20B Chips, 525mA Driver 20BLEDE70 20B Chips, 700mA Driver 20BLEDE10 20B Chips, 1050mA Driver 20BLEDE13 20B Chips, 1300mA Driver 20BLEDE15 20B Chips, 1500mA Driver 30BLEDE70 30B Chips, 700mA Driver 30BLEDE85 30B Chips, 850mA Driver 30BLEDE10 30B Chips, 1050mA Driver 30BLEDE13 30B Chips, 1300mA Driver 30BLEDE15 ¹ 30B Chips, 1500mA Driver	MVOLT Multi-volt, 120-277V 347 347V 480 480V	R2 Roadway Type II R3 Roadway Type III R4 Roadway Type IV R5 Roadway Type V

BK P7 NL

Options			
<p><u>Color Temperature (CCT)</u></p> <p>(Blank) 4000K CCT, 70 CRI Min. 3K 3000K CCT, 70 CRI Min. 5K 5000K CCT, 70 CRI Min.</p> <p><u>Paint</u></p> <p>(Blank) Gray (Standard) BK Black BZ Bronze DDB Dark Bronze GI Graphite WH White</p> <p><u>Surge Protection</u></p> <p>(Blank) Standard 10kV/5kA SPD 20 20kV/10KA SPD MP¹ MOV Pack IL¹ SPD with Indicator Light</p> <p><u>Terminal Block</u></p> <p>(Blank) Terminal Block (Standard) T2 Wired to L1 & L2 Positions</p> <p><u>Misc.</u></p> <p>BL External Bubble Level HS House-Side Shield NL Nema Label XL Not CSA Certified UMR-XX 8" Horizontal Arm for Round Pole, Painted to match Fixture</p>	<p>UMS-XX 8" Horizontal Arm for Square Pole, Painted to match Fixture</p> <p>UMR-GALV 8" Horizontal Arm for Round Pole, Galvanized</p> <p>UMS-GALV 8" Horizontal Arm for Square Pole, Galvanized</p> <p><u>Controls</u></p> <p>(Blank) 3 Pin NEMA Photocontrol Receptacle (Standard)</p> <p>P7² 7 Pin Photocontrol Receptacle (Dimmable Driver Included)</p> <p>NR No Photocontrol Receptacle</p> <p>AO³ Field Adjustable Output</p> <p>DM 0V-10V Dimmable Driver (Controls by others)</p> <p>ML^{4,5} Multi-Level Dimming</p> <p>PCSS¹ Solid State Lighting Photocontrol (120-277V)</p> <p>PCLL Solid State Long Life Photocontrol</p> <p>SH Shorting Cap</p> <p><u>Packaging</u></p> <p>(Blank) Single Unit (Standard) JP Job Pack (42/Pallet)</p>	<p>Notes</p> <p>1 Not available in 347 or 480V.</p> <p>2 Not available with DM, ML or NR.</p> <p>3 Not available with DM or ML options. Not available with 10BLED packages.</p> <p>4 Not available with AO, DM or P7 options.</p> <p>5 Dimming Schedule and light level information required from the customer in order to configure product. Contact Infrastructure Technical Support to proceed.</p>	

Autobahn Series ATBO Roadway Lighting

PERFORMANCE PACKAGE E

Performance Package	Drive Current (mA)	Input Watts	Optic	4000K CCT		LLD @ 25°C			
				Delivered Lumens	Efficacy (LPW)	50k Hours	75k Hours	100k Hours	
10B	700	25	R2	2994	120	0.98	0.98	0.97	
	1000	37		4293	116	0.98	0.98	0.97	
	1500	54		5688	105	0.97	0.97	0.96	
	700	25	R3	3009	120	0.98	0.98	0.97	
	1000	37		4313	117	0.98	0.98	0.97	
	1500	54		5742	106	0.97	0.97	0.96	
	700	25	R4	2992	120	0.98	0.98	0.97	
	1000	37		4232	114	0.98	0.98	0.97	
	1500	54		5653	105	0.97	0.97	0.96	
	700	25	R5	3065	123	0.98	0.98	0.97	
	1000	37		4422	120	0.98	0.98	0.97	
	1500	54		5844	108	0.97	0.97	0.96	
20B	525	36	R2	4638	129	0.98	0.98	0.97	
	700	48		5956	124	0.98	0.98	0.97	
	1000	71		8506	120	0.98	0.98	0.97	
	1300	87		9922	114	0.96	0.94	0.92	
	1500	99		11038	111	0.95	0.92	0.90	
	525	36	R3	4704	131	0.98	0.98	0.97	
	700	48		6114	127	0.98	0.98	0.97	
	1000	71		8606	121	0.98	0.98	0.97	
	1300	87		10065	116	0.96	0.94	0.92	
	1500	99		11181	113	0.95	0.92	0.90	
	525	36	R4	4676	130	0.98	0.98	0.97	
	700	48		6022	125	0.98	0.98	0.97	
	1000	72		8569	119	0.98	0.98	0.97	
	1300	87		10053	116	0.96	0.94	0.92	
	1500	99		11160	113	0.95	0.92	0.90	
	525	36	R5	4869	135	0.98	0.98	0.97	
	700	48		6287	131	0.98	0.98	0.97	
	1000	71		8880	125	0.98	0.98	0.97	
	1300	87		10397	120	0.96	0.94	0.92	
	1500	99		11593	117	0.95	0.92	0.90	
	30B	700	70	R2	9174	131	0.98	0.98	0.97
		850	83		10457	126	0.98	0.98	0.97
		1000	105		12414	118	0.96	0.96	0.95
		1300	126		14964	119	0.96	0.94	0.92
1500		145	16251		112	0.94	0.91	0.89	
700		70	R3	8893	127	0.98	0.98	0.97	
850		83		10825	130	0.98	0.98	0.97	
1000		105		12748	121	0.96	0.96	0.95	
1300		126		14850	118	0.96	0.94	0.92	
1500		145		16193	112	0.94	0.91	0.89	
700		70	R4	8971	128	0.98	0.98	0.97	
850		83		10589	128	0.98	0.98	0.97	
1000		105		12782	122	0.96	0.96	0.95	
1300		126		14889	118	0.96	0.94	0.92	
1500		145		16463	114	0.94	0.91	0.89	
700		70	R5	9329	133	0.98	0.98	0.97	
850		83		11209	135	0.98	0.98	0.97	
1000		105		13296	127	0.96	0.95	0.94	
1300		126		15254	121	0.96	0.94	0.92	
1500		145		16871	116	0.94	0.91	0.89	

Note: Information shown above is based on 4000K nominal system data. Individual fixture performance may vary. To calculate 3000K lumen values, multiply the 4000K lumens by .93. Specifications subject to change without notice.

ATBO	15°C	20°C	25°C	30°C	35°C	40°C
LLD Multiplier	1.02	1.01	1	0.98	0.97	0.95

To calculate the LLD for a temperature other than 25°C, multiply the LLD @ 25°C (shown in the performance package table) by the LLD multiplier for the selected temperature.



AEL Headquarters, 3825 Columbus Road, Granville, OH 43023
www.americanelectricalighting.com
© 2014-2017 Acuity Brands Lighting, Inc. All Rights Reserved. ATBO 10/05/17

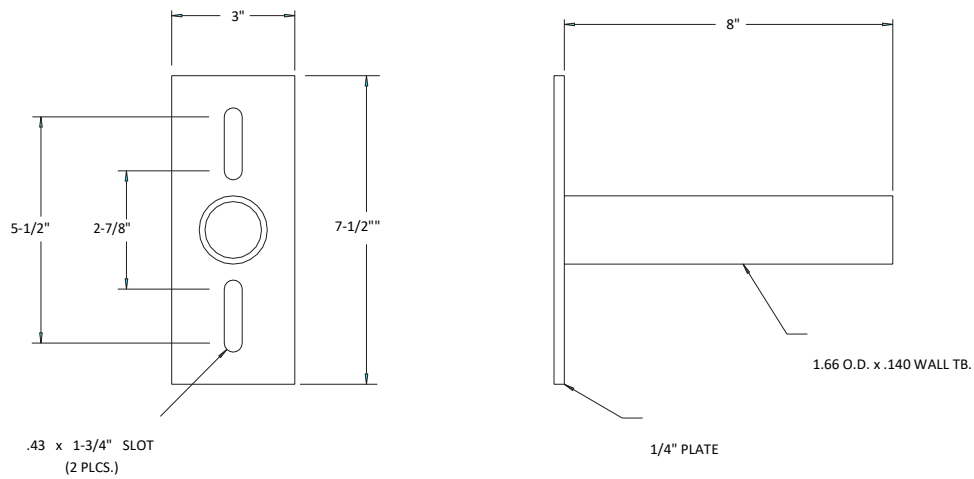
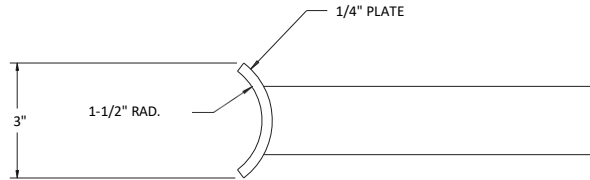
Warranty Five-year limited warranty. Complete warranty terms located at: www.acuitybrands.com/CustomResources/Terms_and_conditions.aspx
Actual performance may differ as a result of end-user environment and application. All values are design or typical values, measured under laboratory conditions at 25°C. Specifications subject to change without notice.

Please contact your sales representative for the latest product information.

Autobahn Series ATB0 Roadway Lighting

UMR POLE ADAPTOR

RECOMMENDED FOR USE WITH POLES OF 4" DIAMETER OR SMALLER



UMS POLE ADAPTOR



Shoebox

(400W-1000W E Q)

The Shoebox luminaire provides a full cut-off distribution for lighting roadways and parking areas.

Comparable HID Wattage	Finish Color	Initial Lamp Lumens	Lighting Pattern	Correlated Color Temperature (CCT)	Input Wattage	Billing Tier	B-U-G Rating	Recommended Mounting Height (ft.)	Luminaire Stock #	WMIS CU Code
400	Gray	23400	Type III	3000K	204	7	3-0-4	30 - 40	42329993	LEDSBBA2233GXXX
400	Black	23400	Type III	3000K	204	7	3-0-4	30 - 40	42337110	LEDSBBA2233BXXX
400	Gray	23421	Type IV	3000K	204	7	3-0-4	30 - 40	42329994	LEDSBBA2243GXXX
400	Black	23421	Type IV	3000K	204	7	3-0-4	30 - 40	42337111	LEDSBBA2243BXXX
400	Black	25520	Type III	4000K	204	7	3-0-4	30 - 40	42342705	LEDSBBA2234BXXX
400	Gray	25423	Type III	4000K	204	7	3-0-4	30 - 40	42315787	LEDSBBA2234GXXX
400	Black	25520	Type IV	4000K	204	7	3-0-4	30 - 40	42342706	LEDSBBA2244BXXX
400	Gray	25423	Type IV	4000K	204	7	3-0-4	30 - 40	42315788	LEDSBBA2244GXXX
1000	Gray	30230	Type III	3000K	291	10	3-0-5	35 - 40	42329995	LEDSBBA3233GXXX
1000	Black	30230	Type III	3000K	291	10	3-0-5	35 - 40	42337112	LEDSBBA3233BXXX
1000	Gray	30221	Type IV	3000K	291	10	3-0-5	35 - 40	42329996	LEDSBBA3243GXXX
1000	Black	30221	Type IV	3000K	291	10	3-0-5	35 - 40	42337113	LEDSBBA3243BXXX
1000	Black	32709	Type III	4000K	291	10	3-0-5	35 - 40	42342827	LEDSBBA3234BXXX
1000	Gray	32527	Type III	4000K	291	10	3-0-5	35 - 40	42315779	LEDSBBA3234GXXX
1000	Black	32709	Type IV	4000K	291	10	3-0-5	35 - 40	42342828	LEDSBBA3244BXXX
1000	Gray	32527	Type IV	4000K	291	10	3-0-5	35 - 40	42315780	LEDSBBA3244GXXX



Consistent with LEED® goals
& Green Globes® criteria
for light pollution reduction

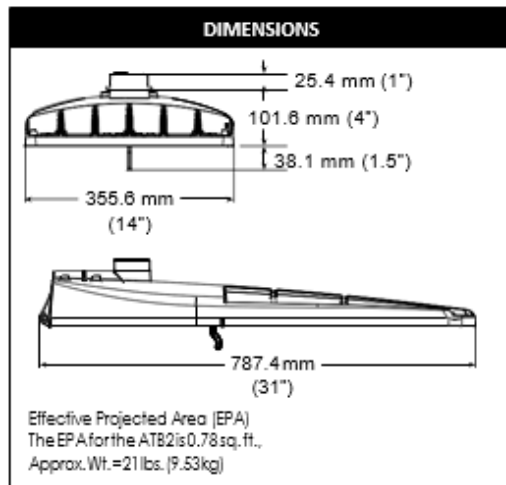
Autobahn Series ATB2 Roadway Lighting

PRODUCT OVERVIEW



Applications:

- Roadways
- Off ramps
- Residential streets
- Parking lots



STANDARDS

DesignLights Consortium® (DLC) qualified product. Not all versions of this product may be DLC qualified. Please check the DLC Qualified Products List at www.designlights.org/QPL to confirm which versions are qualified.

Color temperatures of $\leq 3000\text{K}$ must be specified for International Dark-Sky Association certification.

Rated for -40°C to 40°C ambient.

CSA Certified to U.S. and Canadian standards
Complies with ANSI: C136.2, C136.10, C136.14, C136.31, C136.15, C136.37

Note: Specifications subject to change without notice.

Autobahn Series – AEL_0109_ATB2

Features:

OPTICAL

Same Light: Performance is comparable to 250-400W HPS roadway luminaires.

White Light: Correlated color temperature - 4000K, 70 CRI minimum, 3000K, 70 CRI minimum or optional 5000K, 70 CRI minimum.

Unique IP66 rated LED light engines provided 0% uplight and restrict backlight to within sidewalk depth, providing optimal application coverage and optimal pole spacing.

Available in Type II, III, IV, & V roadway distributions.

ELECTRICAL

Expected Life: LED light engines are rated $>100,000$ hours at 25°C , L70. Electronic driver has an expected life of 100,000 hours at a 25°C ambient.

Lower Energy: Saves an average of 40-60% over comparable HPS platforms.

Robust Surge Protection: Three different surge protection options provide a minimum of ANSI C136.2 10kV/5kA protection. 20kV/10kA protection is also available.

MECHANICAL

Easy to Maintain: Includes standard AEL lineman-friendly features such as tool-less entry, 3 station terminal block and quick disconnects. Bubble level located inside the electrical compartment for easy leveling at installation.

Rugged die-cast aluminum housing is polyester powder-coated for durability and corrosion resistance. Rigorous five-stage pre-treating and painting process yields a finish that achieves a scribe creepage rating of 7 (per ASTM D1654) after over 5000 hours exposure to salt fog chamber (operated per ASTM B117).

Four-bolt mast arm mount is adjustable for arms from 1-1/4" to 2" (1-5/8" to 2-3/8" O.D.) diameter and provides a 3G vibration rating per ANSI C136.

Wildlife shield is cast into the housing (not a separate piece).

CONTROLS

NEMA 3 Pin photocontrol receptacle is standard, with the Acuity designed ANSI 7 Pin receptacle optionally available.

Premium solid state locking sale photocontrol - PCSS (10 year rated life). Extreme long life solid state locking style photocontrol - PCLL (20 year rated life).

Mult-level dimming available to provide scheduled dimming as specified by the customer.

Optional onboard Adjustable Output module allows the light output and input wattage to be modified to meet site specific requirements, and can also allow a single fixture to be flexibly applied in many different applications.



Autobahn Series ATB2

Roadway Lighting

ORDERING INFORMATION

Example: ATB2 40LEDE70 MVOLT R2

ATB2	60BLEDE15	MVOLT	R4
Series	Performance Packages	Voltage	Optics
ATB2 Autobahn LED Roadway	40BLEDE70 408 Chips, 700mA Driver 40BLEDE10 408 Chips, 1050mA Driver 40BLEDE13 408 Chips, 1300mA Driver 40BLEDE15 408 Chips, 1500mA Driver 60BLEDE70 608 Chips, 700mA Driver 60BLEDE85 608 Chips, 850mA Driver 60BLEDE10 608 Chips, 1050mA Driver 60BLEDE13 608 Chips, 1300mA Driver 60BLEDE15 608 Chips, 1500mA Driver 80BLEDE70 808 Chips, 700mA Driver 80BLEDE85 808 Chips, 850mA Driver 80BLEDE10 808 Chips, 1050mA Driver 80BLEDE12 808 Chips, 1200mA Driver 80BLEDE15 808 Chips, 1500mA Driver	MVOLT Multi-volt, 120-277V 347 347V 480 480V	R2 Roadway Type II R3 Roadway Type III R4 Roadway Type IV R5 Roadway Type V

P7 NL HK

Options	
<p><u>Color Temperature (CCT)</u></p> <p>(Blank) 4000K CCT, 70 CRI Min. 3K 3000K CCT, 70 CRI Min. 5K 5000K CCT, 70 CRI Min.</p> <p><u>Paint</u></p> <p>(Blank) Gray (Standard) BK Black BZ Bronze DDB Dark Bronze GI Graphite WH White</p> <p><u>Surge Protection</u></p> <p>(Blank) Standard 10kV/5kA SPD 20 20kV/10kA SPD MP MOV Pack IL SPD with Indicator Light</p> <p><u>Terminal Block</u></p> <p>(Blank) Terminal Block (Standard) T2 Wired to L1 & L2 Positions</p> <p><u>Misc.</u></p> <p>BL External Bubble Level HS House-Side Shield NL Neg Label XL Not CSA Certified HK Hingekeepers</p>	<p><u>Misc. (continued)</u></p> <p>UMR-XX 8" Horizontal Arm for Round Pole, <u>Painted</u> to match Fixture UMS-XX 8" Horizontal Arm for Square Pole, <u>Painted</u> to match Fixture UMR-GALV 8" Horizontal Arm for Round Pole, Galvanized UMS-GALV 8" Horizontal Arm for Square Pole, Galvanized</p> <p><u>Controls</u></p> <p>(Blank) 3 Pin NEMA Photocontrol Receptacle (Standard) P7 7 Pin Photocontrol Receptacle (<u>Dimmable Driver</u> Included) NR No Photocontrol Receptacle AO <u>Field</u> Adjustable Output DM 0V-10V Dimmable Driver (Controls by others) ML ^{2,4} Multi-Level Dimming PCSS <u>Solid State</u> Lighting Photocontrol (120-277V) PCLL Solid State Long Life Photocontrol SH Shorting Cap</p> <p><u>Packaging</u></p> <p>(Blank) Single Unit (Standard) JP Job Pack (24/Pallet)</p>

Notes

1. Not available in 347 or 480V.
2. Not available with DM or ML options.
3. Not available with AO, DM or P7 options.
4. Dimming schedule and light level information required from the customer in order to configure product. Contact Infrastructure Technical Support to proceed.

Autobahn Series ATB2 Roadway Lighting

PERFORMANCE PACKAGE									
Performance Package	Drive Current (mA)	Input Watts	Optic	4000K CCT		LLD @ 25°C			
				Delivered Lumens	Efficacy (LPW)	50k Hours	75k Hours	100k Hours	
40B	700	88	R2	11607	132	0.97	0.97	0.96	
	1000	133		16360	123	0.95	0.93	0.92	
	1300	171		19544	114	0.93	0.90	0.87	
	1500	198		21384	108	0.93	0.90	0.87	
	700	88		11552	131	0.97	0.97	0.96	
	1000	133	R3	16249	122	0.95	0.93	0.92	
	1300	171		19462	114	0.93	0.90	0.87	
	1500	198		21331	108	0.93	0.90	0.87	
	700	88		11768	134	0.97	0.97	0.96	
	1000	133		R4	16593	125	0.95	0.93	0.92
	1300	171	19877		116	0.93	0.90	0.87	
	1500	198	21799		110	0.93	0.90	0.87	
	700	88	R5		12388	141	0.97	0.97	0.96
	1000	133			17499	132	0.95	0.93	0.92
	1300	171		20795	122	0.93	0.90	0.87	
1500	198	22828		115	0.93	0.90	0.87		
700	130	R2		18193	140	0.97	0.97	0.96	
850	165		21436	130	0.95	0.93	0.92		
1000	204		24940	122	0.95	0.93	0.92		
1300	254		29357	116	0.93	0.90	0.87		
1500	291		32052	110	0.93	0.90	0.87		
60B	700	130	R3	17714	136	0.97	0.97	0.96	
	850	165		21351	129	0.95	0.93	0.92	
	1000	204		25520	125	0.95	0.93	0.92	
	1300	254		29991	118	0.93	0.90	0.87	
	1500	291		32709	112	0.93	0.90	0.87	
	700	130	R4	17984	138	0.97	0.97	0.96	
	850	165		21446	130	0.95	0.93	0.92	
	1000	204		25423	125	0.95	0.93	0.92	
	1300	254		29898	118	0.93	0.90	0.87	
	1500	291		32527	112	0.93	0.90	0.87	
	700	130	R5	18561	143	0.97	0.97	0.96	
	850	165		22402	136	0.95	0.93	0.92	
	1000	204		26128	128	0.95	0.93	0.92	
	1300	254		30964	122	0.93	0.90	0.87	
	1500	291		33922	117	0.93	0.90	0.87	
80B	700	177	R2	23037	130	0.97	0.97	0.96	
	850	214		27086	127	0.95	0.93	0.92	
	1000	268		31920	119	0.95	0.93	0.92	
	1200	330		36826	112	0.93	0.90	0.88	
	1500	388		40326	104	0.91	0.87	0.83	
	700	177	R3	23934	135	0.97	0.97	0.96	
	850	214		26879	126	0.95	0.93	0.92	
	1000	268		32416	121	0.95	0.93	0.92	
	1200	330		37042	112	0.93	0.90	0.88	
	1500	388		41858	108	0.91	0.87	0.83	
	700	177	R4	23230	131	0.97	0.97	0.96	
	850	214		27263	127	0.95	0.93	0.92	
	1000	268		32329	121	0.95	0.93	0.92	
	1200	330		37293	113	0.93	0.90	0.88	
	1500	388		41611	107	0.91	0.87	0.83	
700	177	R5	24776	140	0.97	0.97	0.96		
850	214		28865	135	0.95	0.93	0.92		
1000	268		34319	128	0.95	0.93	0.92		
1200	330		39552	120	0.93	0.9	0.88		
1500	388		44747	115	0.91	0.87	0.83		

Note: Information shown above is based on 4000K nominal system data. To calculate 3000K lumen values, multiply the 4000K lumens by .93. Individual fixture performance may vary. Specifications subject to change without notice.

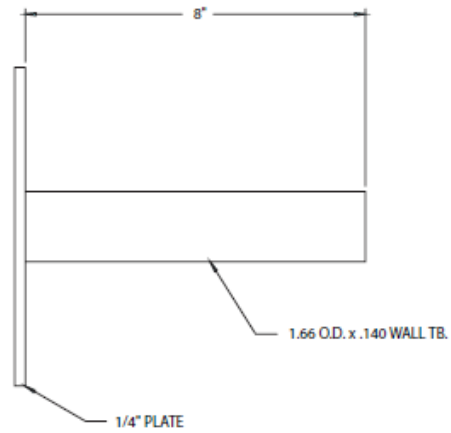
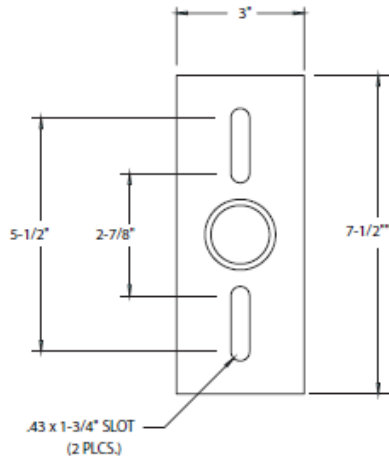
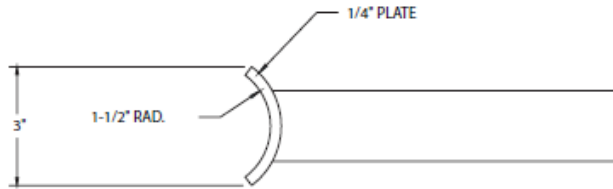
ATB2 LLD Multiplier	15°C	20°C	25°C	30°C	35°C	40°C
	1.02	1.01	1	0.99	0.97	0.96

To calculate the LLD for a temperature other than 25°C, multiply the LLD @ 25°C (shown in the performance package table) by the LLD multiplier for the selected temperature.

Autobahn Series ATB2 Roadway Lighting

UMR POLE ADAPTOR

RECOMMENDED FOR USE WITH POLES OF 4" DIAMETER OR SMALLER



UMS POLE ADAPTOR



Outdoor Lighting Pole Specifications

Smooth Round Tapered Aluminum Direct Embed for Side Mounted Luminaires



Smooth round tapered poles constructed of aluminum alloy for side mounted luminaires. Single arm or two arms at 180 degrees. Poles are directly embedded for use with underground supplied conductors only.

Light fixtures that match well with this pole include:

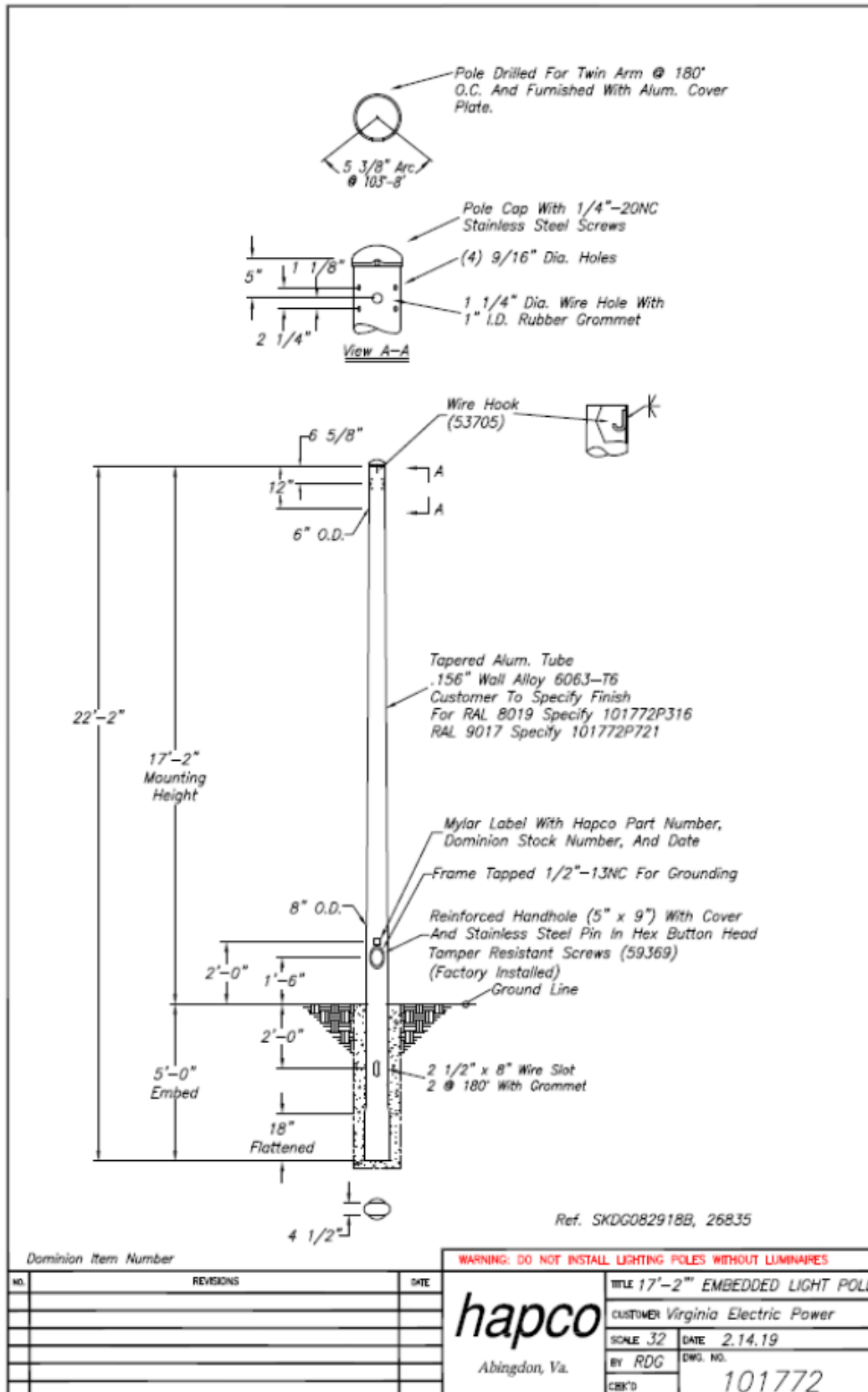
- Basic LED Cobra style
- Basic LED Open Vertical (Area)
- Basic LED Shoebox style

POLE SPECIFICATIONS

ARM MOUNTING HEIGHT (ft)	TOTAL POLE LENGTH (ft)	BUTT DIAMETER* (in)	GROUNDLINE DIAMETER (in)	EMBED or ANCHOR BASE	FINISH COLOR	WMIS CU	POLE ONLY STOCK #
17.0	22.0	4.5	8.0	Embed	Natural Aluminum	PA22	42336282
17.0	22.0	4.5	8.0	Embed	Black RAL-9017	PA22B	42336283
22.0	27.0	4.5	8.0	Embed	Natural Aluminum	PA27	42336284
22.0	27.0	4.5	8.0	Embed	Black RAL-9017	PA27B	42336285
27.0	33.0	4.5	10.0	Embed	Natural Aluminum	PA33	42336286
27.0	33.0	4.5	10.0	Embed	Black RAL-9017	PA33B	42336297
32.0	38.0	4.5	10.0	Embed	Natural Aluminum	PA38	42336298
32.0	38.0	4.5	10.0	Embed	Black RAL-9017	PA38B	42336299
37.0	43.0	4.5	10.0	Embed	Natural Aluminum	PA43	42336300
37.0	43.0	4.5	10.0	Embed	Black RAL-9017	PA43B	42336301

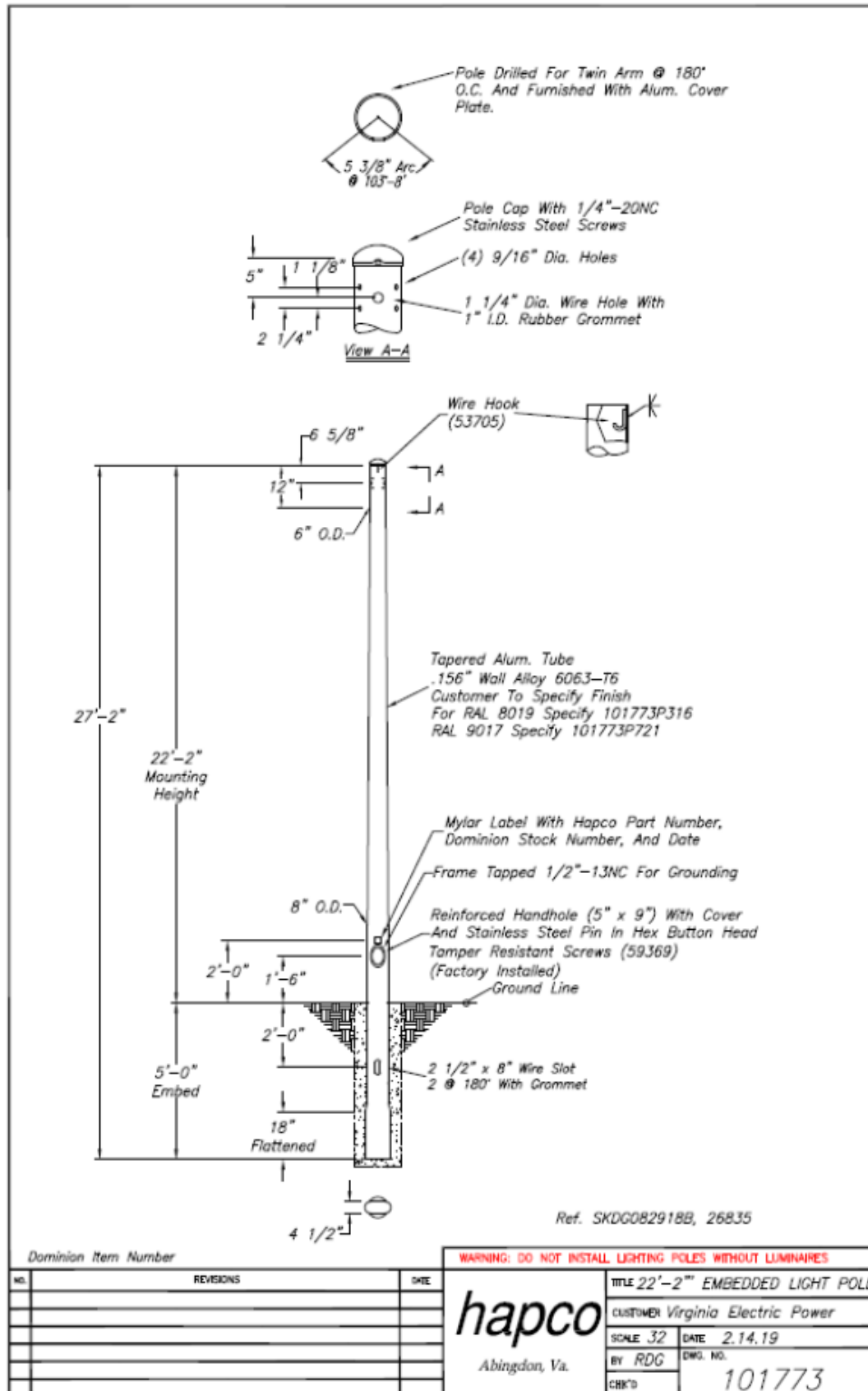
Many localities have restrictions on light distribution and placement of outdoor lighting equipment. Consult with your local government before selecting outdoor lighting equipment.

22' Direct Embed Pole for Arm Mounted Luminaire

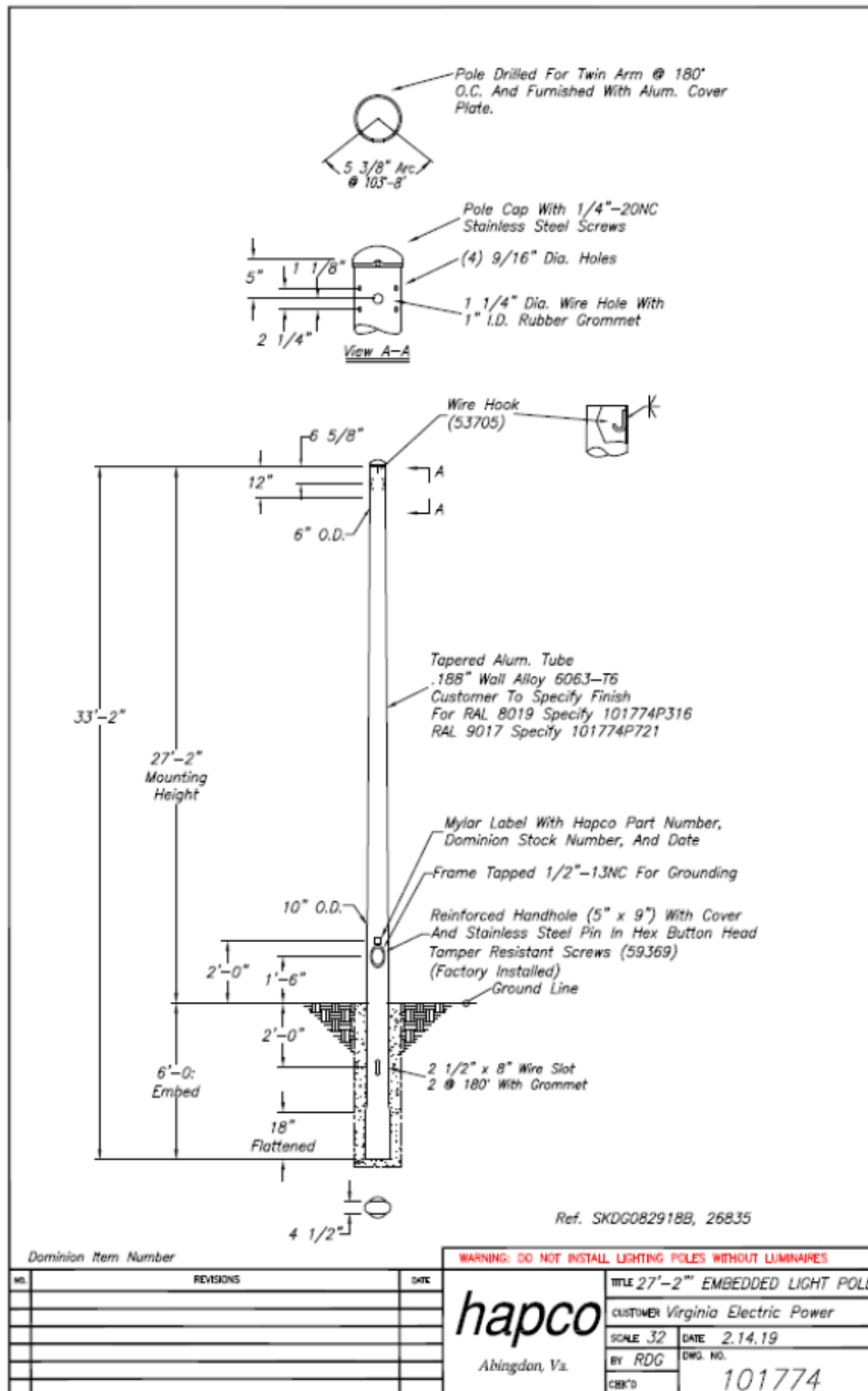


Dominion Item Number			WARNING: DO NOT INSTALL LIGHTING POLES WITHOUT LUMINAIRES		
NO.	REVISIONS	DATE	hapco	TITLE 17'-2" EMBEDDED LIGHT POLE	
				CUSTOMER Virginia Electric Power	
			Abingdon, Va.	SCALE J2	DATE 2.14.19
				BY RDG	DWG. NO.
				CHK'D	101772

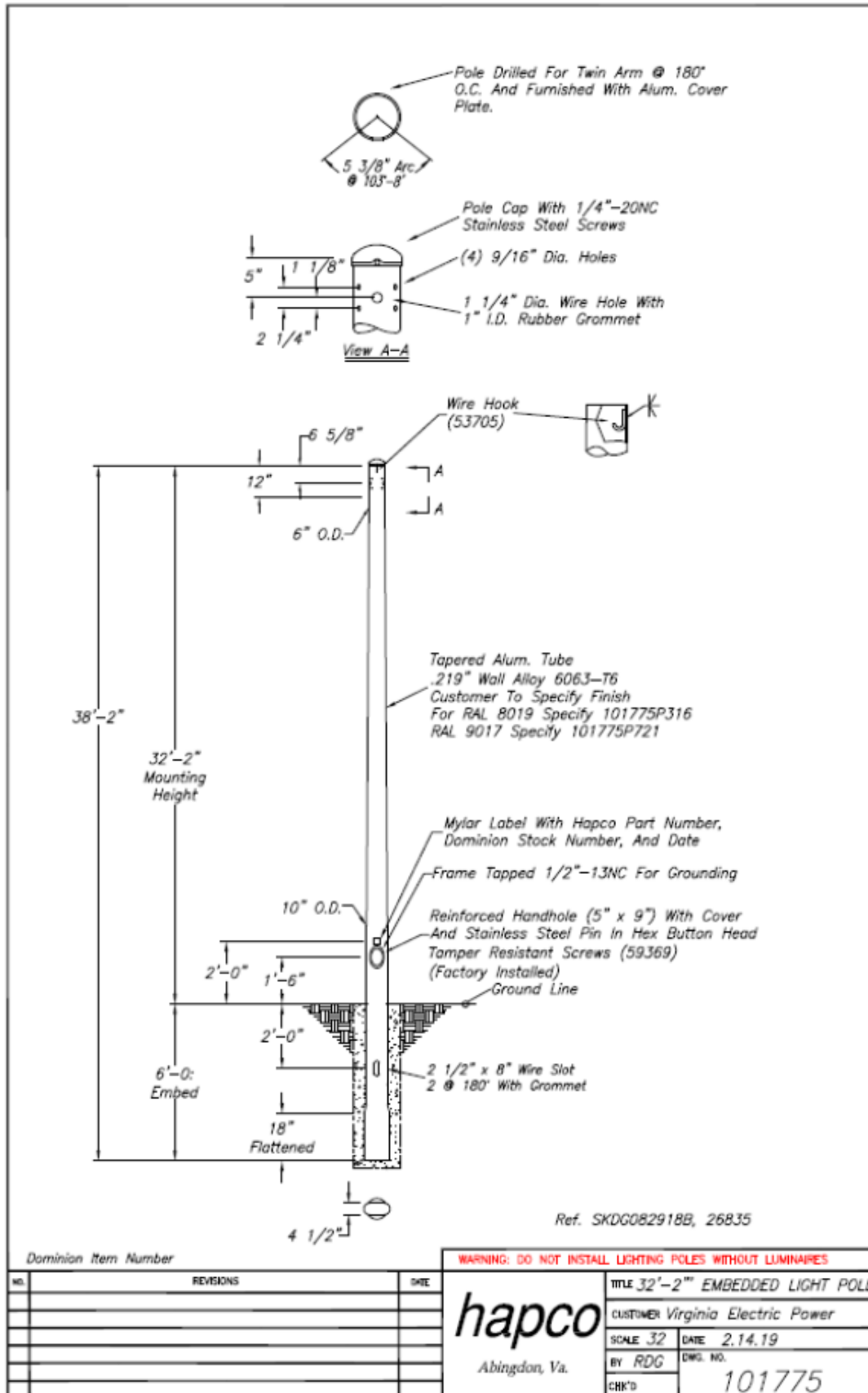
27' Direct Embed Pole for Arm Mounted Luminaire



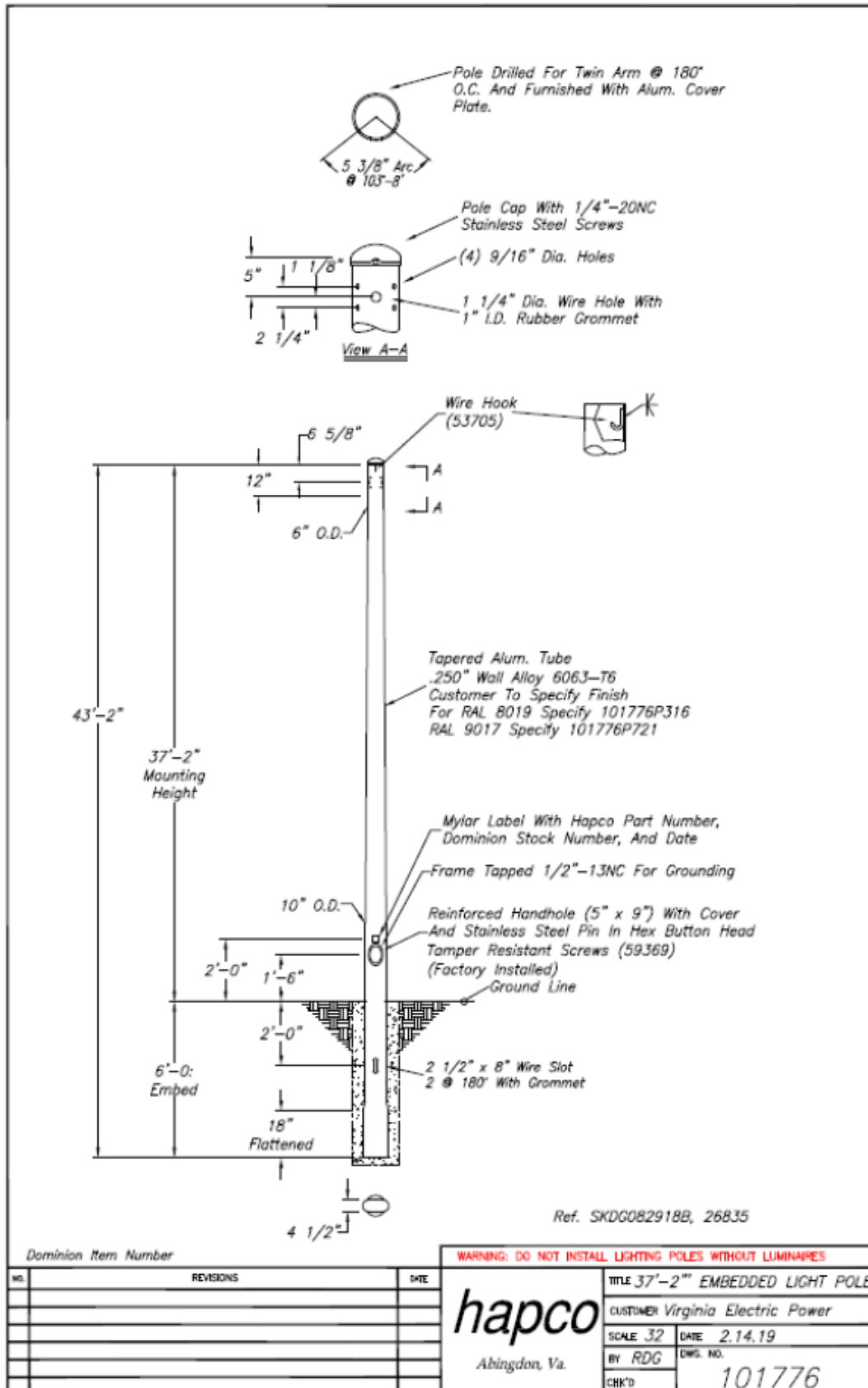
33' Direct Embed Pole for Arm Mounted Luminaire



38' Direct Embed Pole for Arm Mounted Luminaire



43' Direct Embed Pole for Arm Mounted Luminaire





Outdoor Lighting Pole Specifications

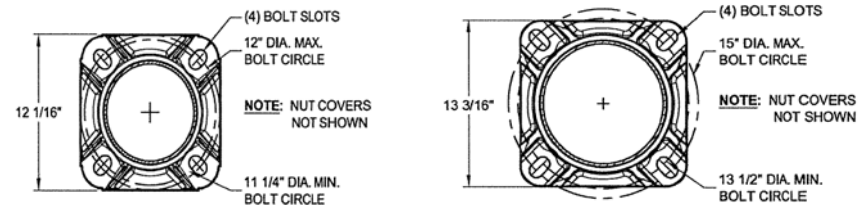
Smooth Round Tapered Aluminum Anchor Base for Side Mounted Luminaires



Smooth round tapered poles constructed of aluminum alloy for side mounted luminaires. Single arm or two arms at 180 degrees. Poles are base mounted for use with underground supplied conductors only. Anchor base poles require customer-installed and maintained concrete pole foundations and anchor-bolts.

Light fixtures that match well with this pole include:

- Basic LED Cobra style
- Basic LED Open Vertical (Area)
- Basic LED Shoebox style

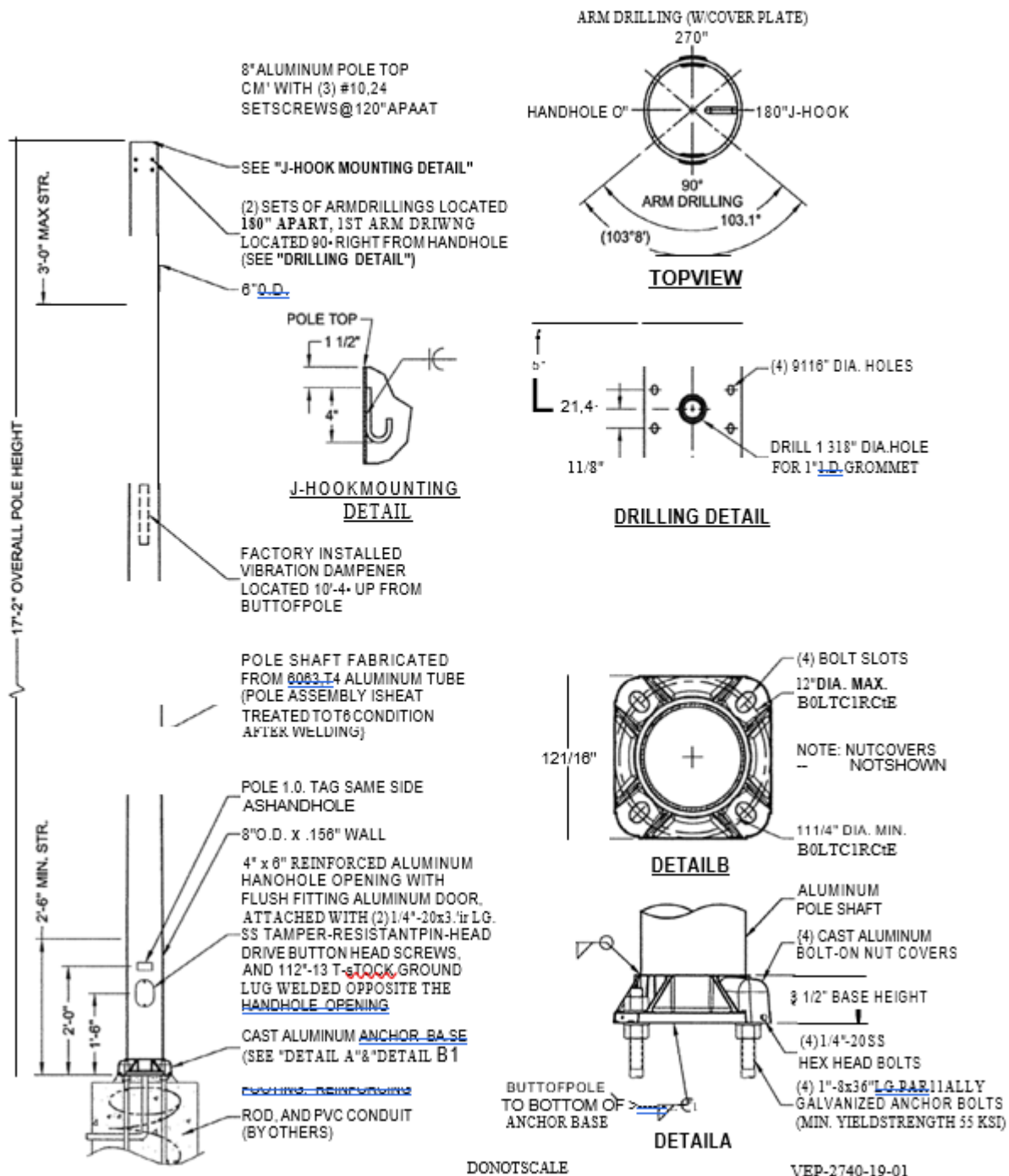


FIXTURE MOUNTING HEIGHT (ft)	TOTAL POLE LENGTH* (ft)	ANCHOR BASE BOLT HOLE PATTERN	EMBED or ANCHOR BASE	FINISH COLOR	WMIS CU	POLE ONLY STOCK #
17.0	17.0	11.25-12 inch bolt circle	Anchor	Natural Aluminum	PA17AB	42336287
17.0	17.0	11.25-12 inch bolt circle	Anchor	Black RAL-9017	PA17ABB	42336289
22.0	22.0	11.25-12 inch bolt circle	Anchor	Natural Aluminum	PA22AB	42336288
22.0	22.0	11.25-12 inch bolt circle	Anchor	Black RAL-9017	PA22ABB	42336290
27.0	27.0	13.5-15 inch bolt circle	Anchor	Natural Aluminum	PA27AB	50491500
27.0	27.0	13.5-15 inch bolt circle	Anchor	Black RAL-9017	PA27ABB	42336291
32.0	32.0	13.5-15 inch bolt circle	Anchor	Natural Aluminum	PA32AB	50491800
32.0	32.0	13.5-15 inch bolt circle	Anchor	Black RAL-9017	PA32ABB	42336292
37.0	37.0	13.5-15 inch bolt circle	Anchor	Natural Aluminum	PA37AB	50492100
37.0	37.0	13.5-15 inch bolt circle	Anchor	Black RAL-9017	PA37ABB	42336293

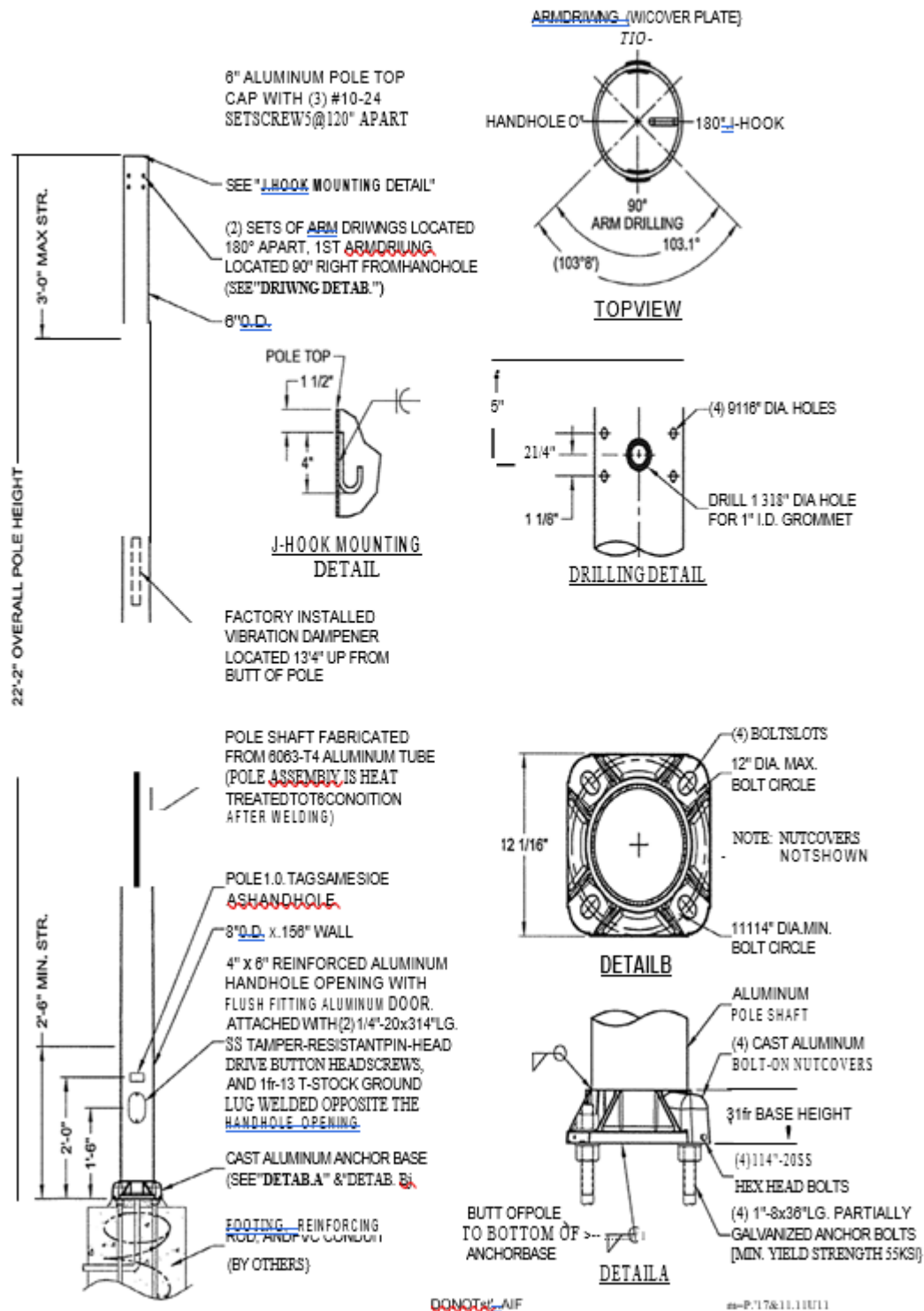
* Approximate based on height above grade to top of anchor base

Many localities have restrictions on light distribution and placement of outdoor lighting equipment. Consult with your local government before selecting outdoor lighting equipment.

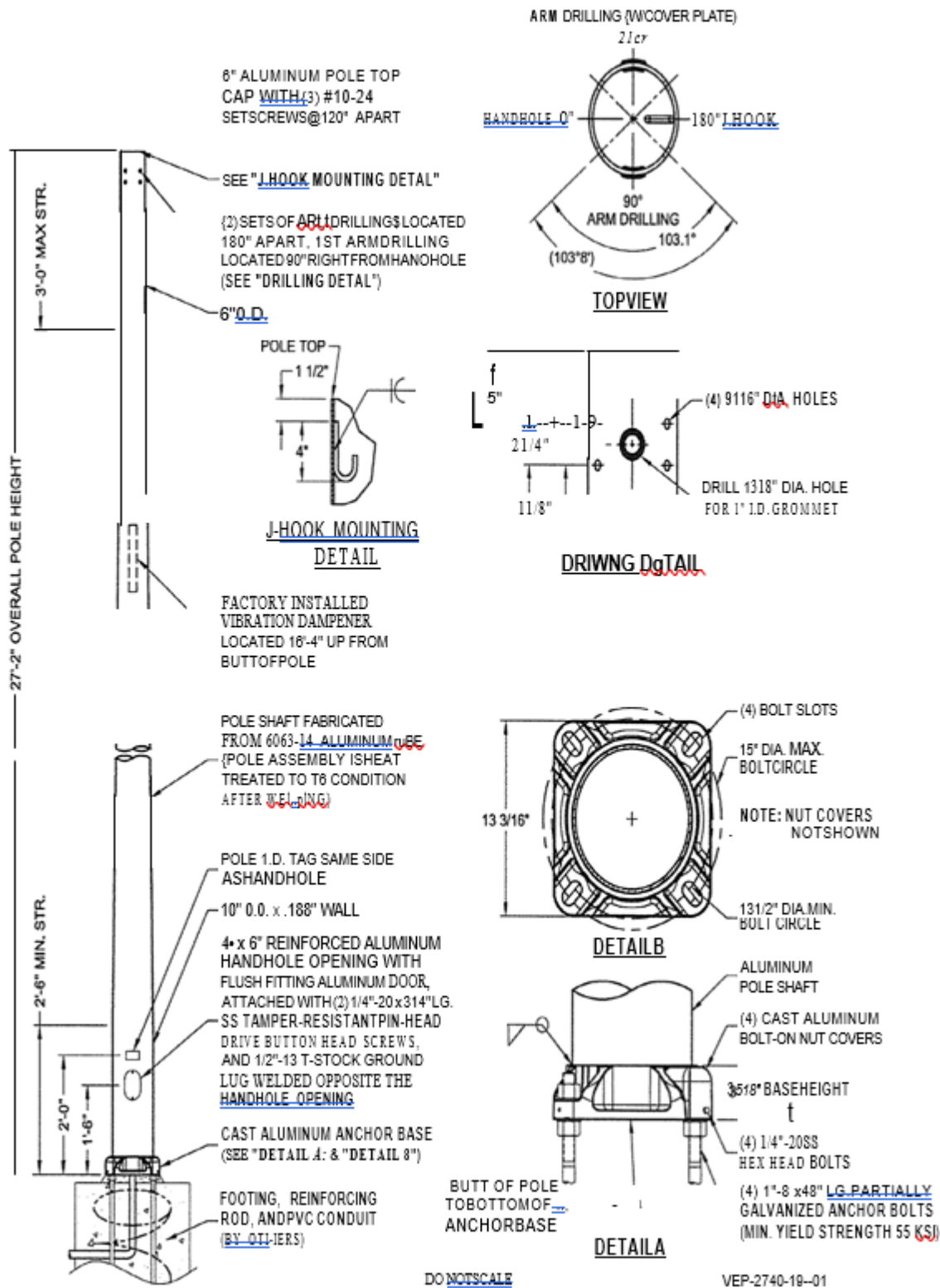
17' Anchor Base Aluminum Pole



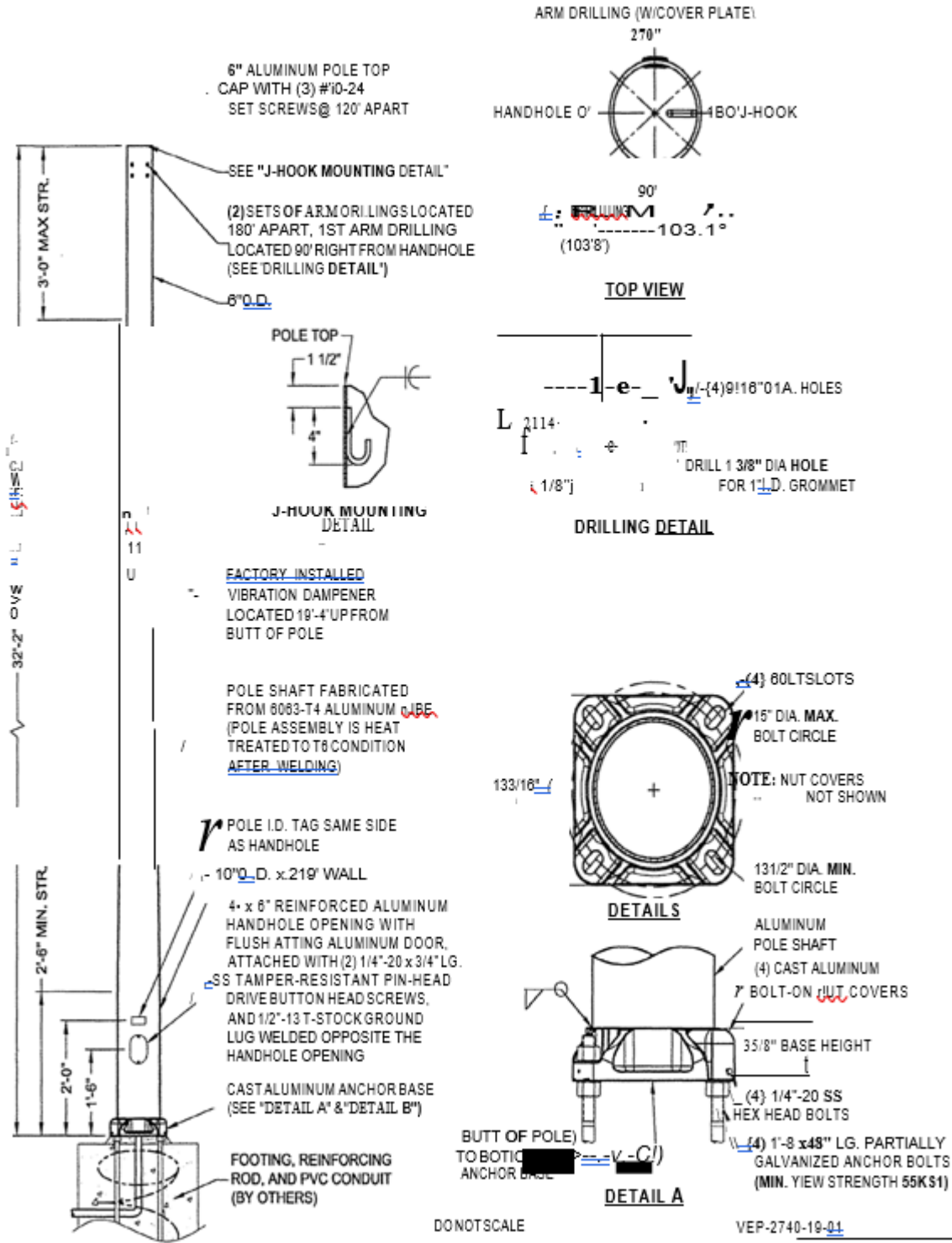
22' Anchor Base Aluminum Pole



27' Anchor Base Aluminum Pole



32' Anchor Base Aluminum Pole



37' Anchor Base Aluminum Pole

