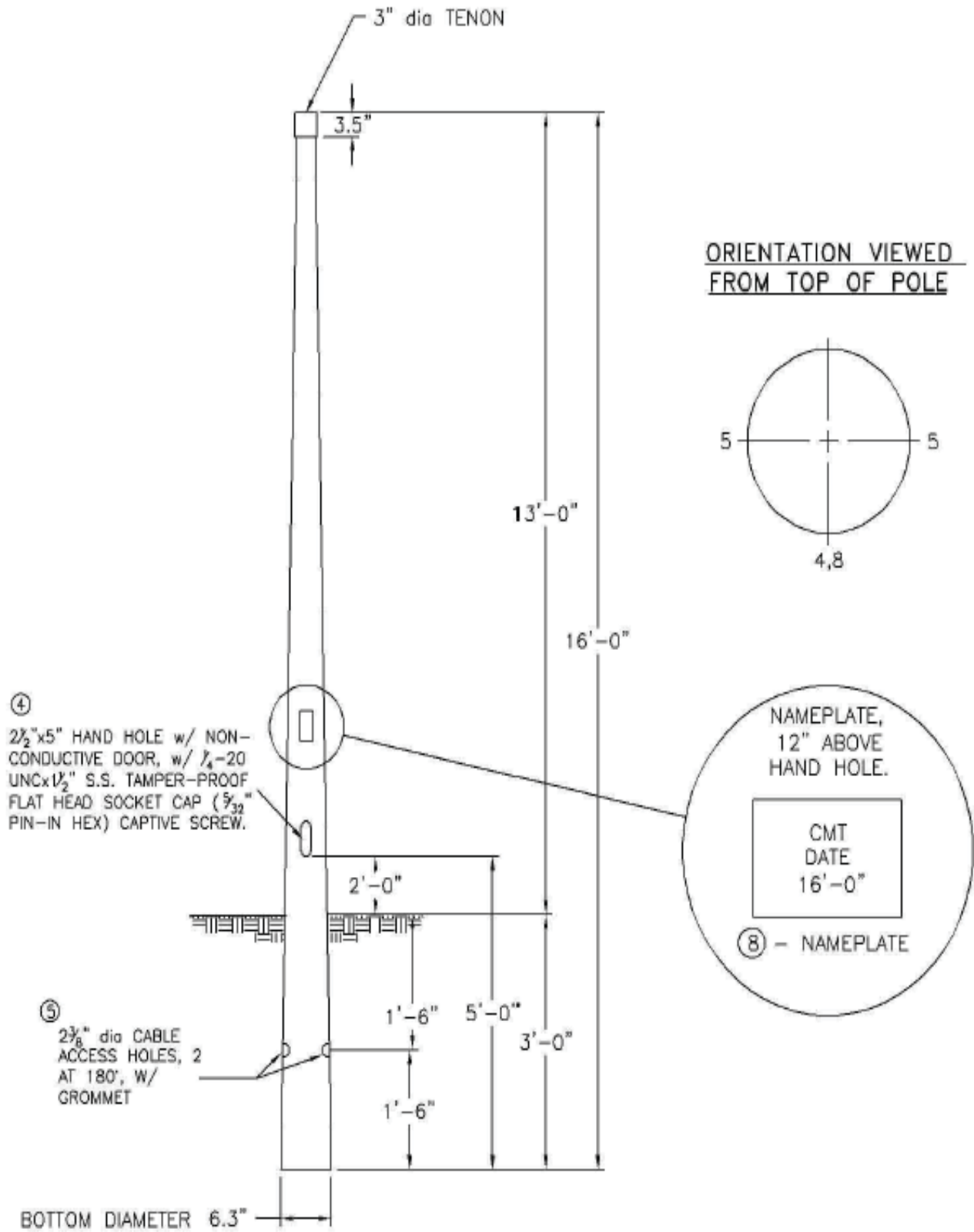
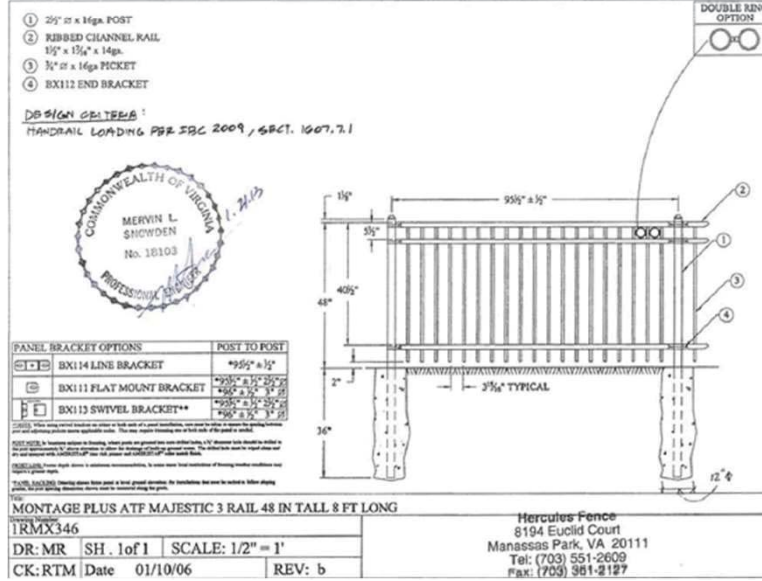
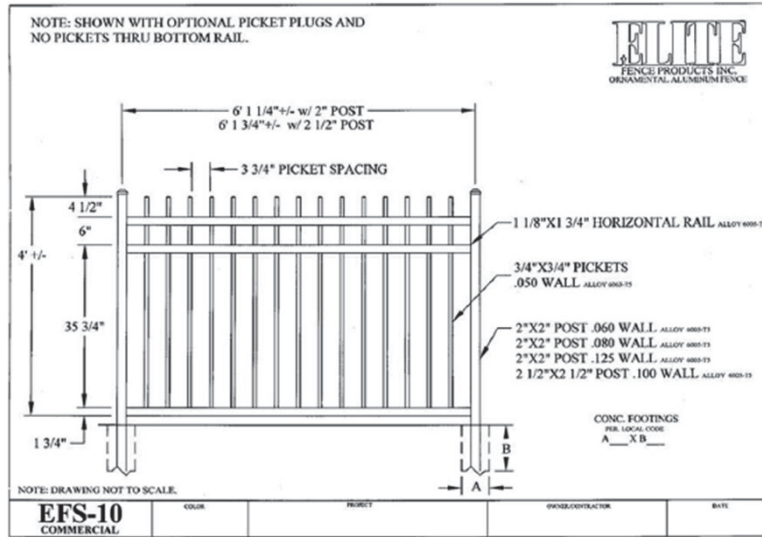


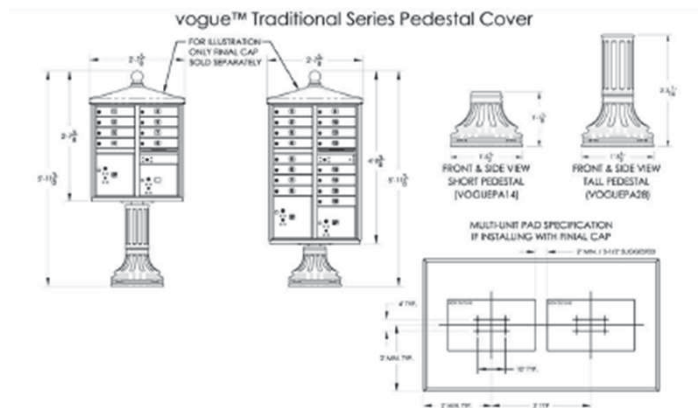
16' Direct Embed Composite Pole



Landscape Features Ornamental Fencing



Landscape Features Mailboxes



NOTES:

1. CBU & PEDESTAL MUST BE ASSEMBLED AND FULLY INSTALLED PRIOR TO ADDING ACCESSORIES.
2. TRADITIONAL CAP AND BASE PEDESTAL COVER SOLD SEPARATELY.
3. AVAILABLE IN ALL STANDARD CBU POWDER COAT FINISHES.
4. TRADITIONAL PEDESTAL COVER INSTALLED USING CAP SCREWS & SET SCREWS (INCLUDED).
5. TRADITIONAL PEDESTAL COVER DESIGNED TO FIT OVER FLORENCE 1570 SERIES CBU PEDESTAL.

VOGUE™ TRADITIONAL SERIES PEDESTAL COVER INSTALLATION INSTRUCTIONS			
 3933 Corporate Drive • Marlborough, MA 01450 www.florencemailboxes.com • 800.275.1747 A GIBALDIA INDUSTRIES COMPANY	MODEL: TRAD PED SCALE: NONE DRAWING NUMBER: P1551	REV: A DATE: 03/2011 DRAWN BY: AFD	

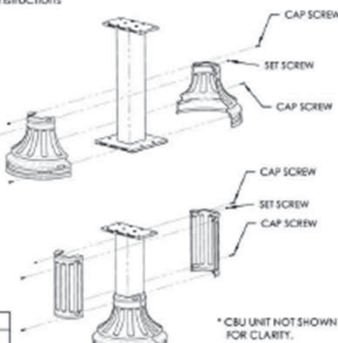
Installation Instructions

1. These instructions assume that you have already properly installed the vital™ Cluster Box Unit (CBU 1570 Series). If the CBU has not yet been installed, please refer to the instructions that came with the vital™ CBU.

2. For all CBU Types:
 Attach the Decorative Base unit to the CBU post as shown using four of the 1/4-20 X 1" cap screws.
 Secure the base against the CBU post using two of the 1/4-20 X 5/8" headless set screws. Do not over tighten and make sure all screws are tightened evenly.

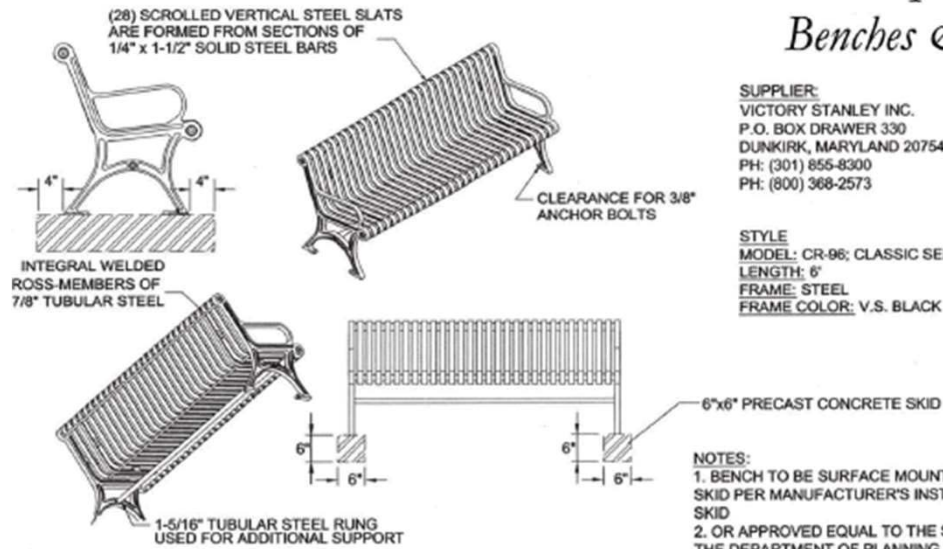
3. Additional step for CBU Types I, II and V:
 Attach the Decorative Column unit to the CBU post as shown using four of the 1/4-20 X 1" cap screws.
 Secure the column against the CBU post using two of the 1/4-20 X 5/8" headless set screws. Do not over tighten and make sure all screws are tightened evenly.

HARDWARE 1/4-20 X 1" CAP SCREW (8) 1/4-20 X 5/8" SET SCREW (4)	TOOLS 3/16" ALLEN WRENCH (1) 1/8" ALLEN WRENCH (1)
---	---



VOGUE™ TRADITIONAL SERIES PEDESTAL COVER INSTALLATION INSTRUCTIONS			
 3933 Corporate Drive • Marlborough, MA 01450 www.florencemailboxes.com • 800.275.1747 A GIBALDIA INDUSTRIES COMPANY	MODEL: TRAD PED SCALE: NONE DRAWING NUMBER: P1551	REV: A DATE: 03/2011 DRAWN BY: AFD	

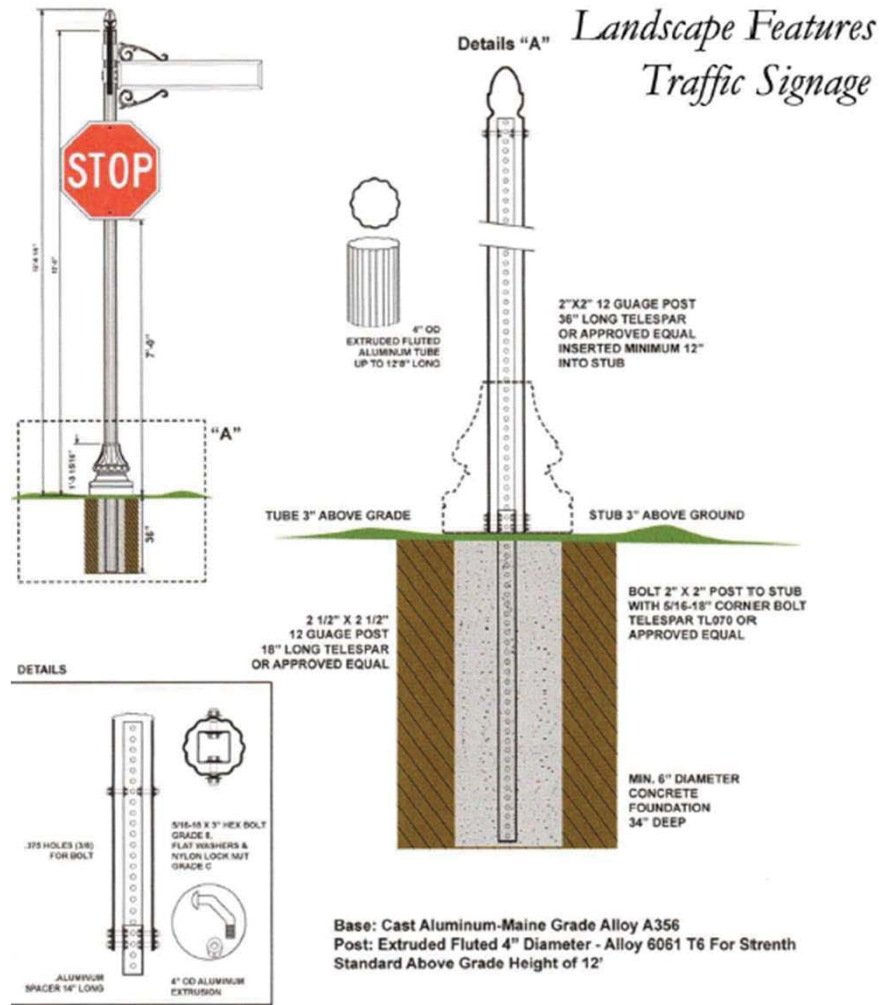
Landscape Features Benches & Arbors



SUPPLIER:
 VICTORY STANLEY INC.
 P.O. BOX DRAWER 330
 DUNKIRK, MARYLAND 20754
 PH: (301) 855-8300
 PH: (800) 368-2573

STYLE
 MODEL: CR-96; CLASSIC SERIES C SERIES
 LENGTH: 6'
 FRAME: STEEL
 FRAME COLOR: V.S. BLACK

- NOTES:**
1. BENCH TO BE SURFACE MOUNTED TO CONCRETE SKID PER MANUFACTURER'S INSTRUCTIONS. BURY SKID
 2. OR APPROVED EQUAL TO THE SATISFACTION OF THE DEPARTMENT OF PLANNING AND ZONING AND/OR DEPARTMENT OF RECREATION, PARKS, AND CULTURAL ACTIVITIES.
 3. SEE PLAN FOR QUANTITY.



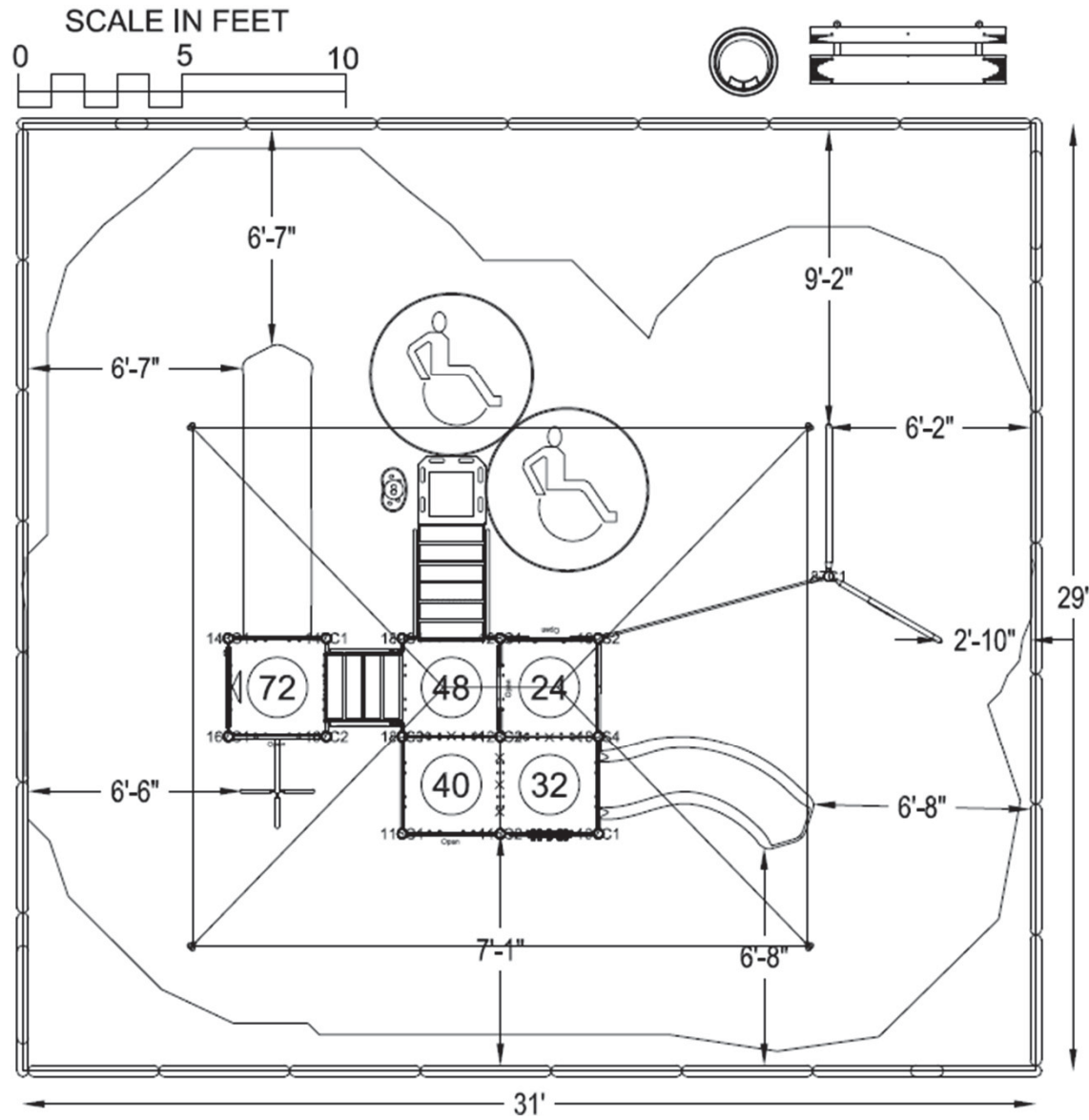
**4" Fluted VDOT Install
Spec Sheet**

Landscape Feature
Tot Lot

800.244.1250



Landscape Feature
Tot Lot



SPECIFICATIONS

Certifications/Qualifications

Energy Star	Yes
Title 20 Compliant	Yes
	www.kichler.com/warranty

Dimensions

Base Backplate	4.75 X 5.00
Extension	6.50"
Weight	2.95 LBS
Height	10.25"
Width	6.00"

Light Source

Dimmable	Yes
Lamp Included	Included
Lamp Type	A19
Light Source	LED
Max or Nominal Watt	10W
# of Bulbs/LED Modules	1
Socket Type	Medium
Socket Wire	150"

Mounting/Installation

Interior/Exterior	Exterior
Location Rating	Wet
Mounting Style	Wall Mount
Mounting Weight	1.63 LBS

Photometrics

Color Rendering Index	92
Kelvin Temperature	3000K

FIXTURE ATTRIBUTES

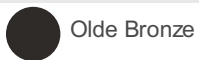
Housing

Diffuser Description	Satin Etched
Primary Material	Aluminum

Product/Ordering Information

SKU	49686OZL18
Finish	Olde Bronze
Style	Transitional
UPC	783927563550

Finish Options



ALSO IN THIS FAMILY



49686BKL18



49690BK



49686BK



49687BK



49688BK



49689BK