

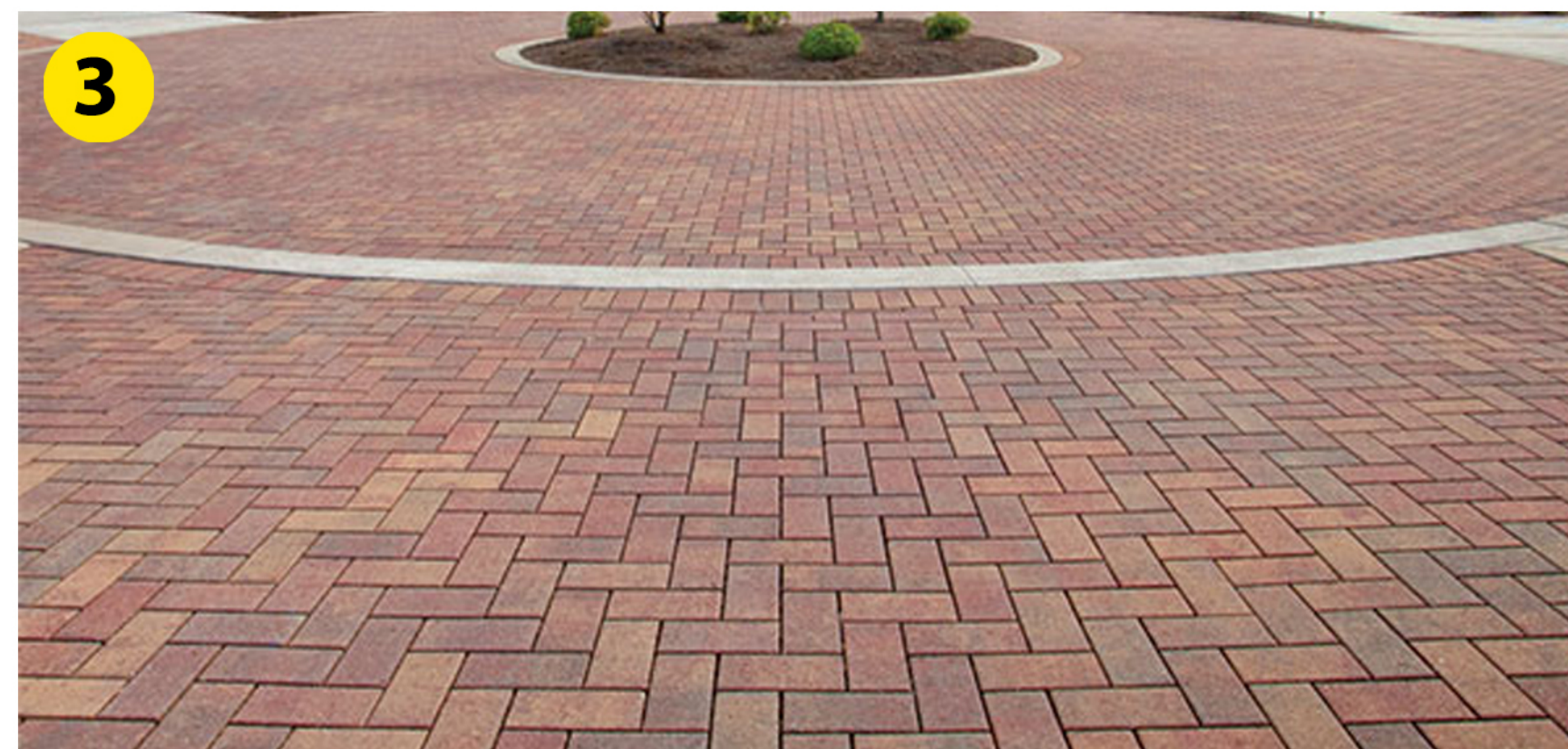
BROOM FINISHED CONCRETE WITH TROWEL FINISHED EDGES



BRICK EDGING AT CONCRETE



BRICK PLAZA



EXPOSED AGGREGATE CONCRETE PATHWAY AT CEDAR AVENUE



6' BENCH - Victor Stanley CR-96



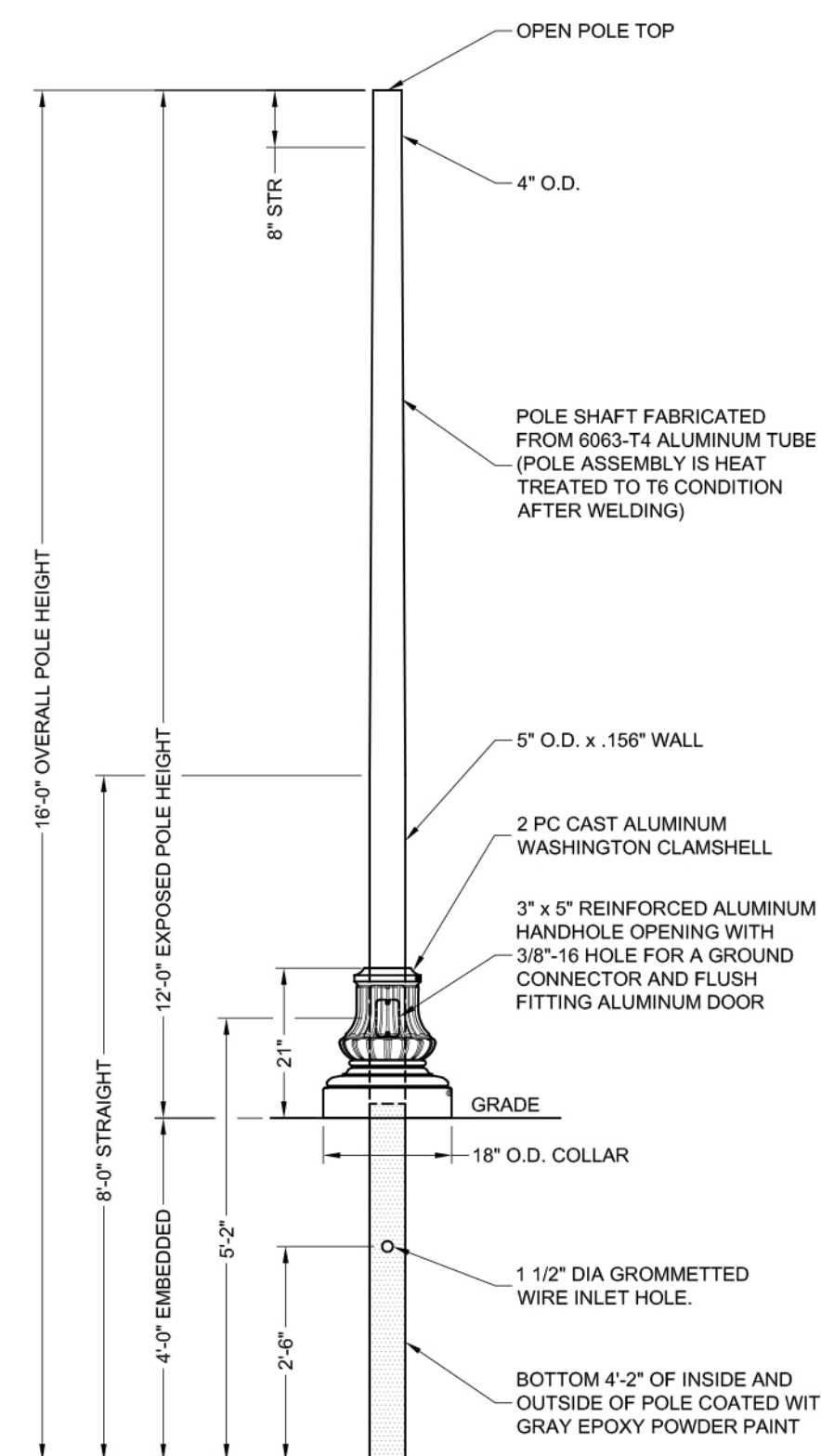
TRASH RECEPTACLE - Victor Stanley SD-42



BOLLARD LIGHT -HADCO DB30 bollard



LIGHT POST - VALMONT Embedded Aluminum Pole



LED POST TOP Coopers Lighting Solutions ACN-080-LED-E-U-33-1-4-3-BK



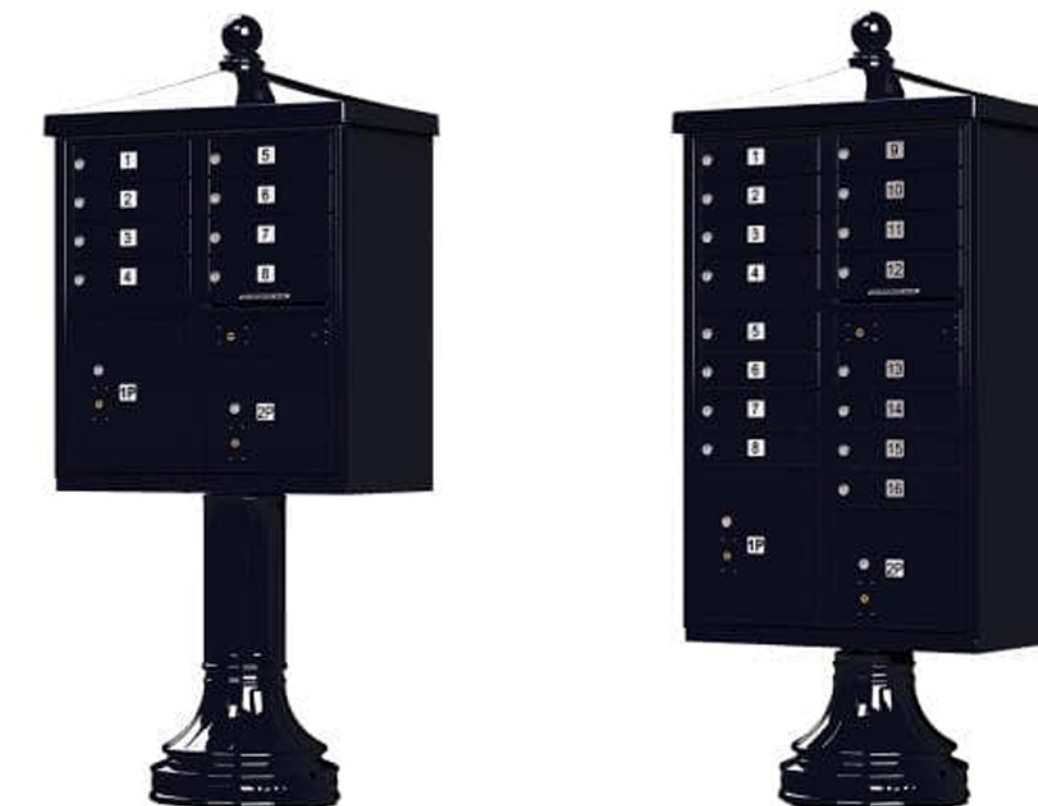
BIKE RACK



BISTRO TABLE



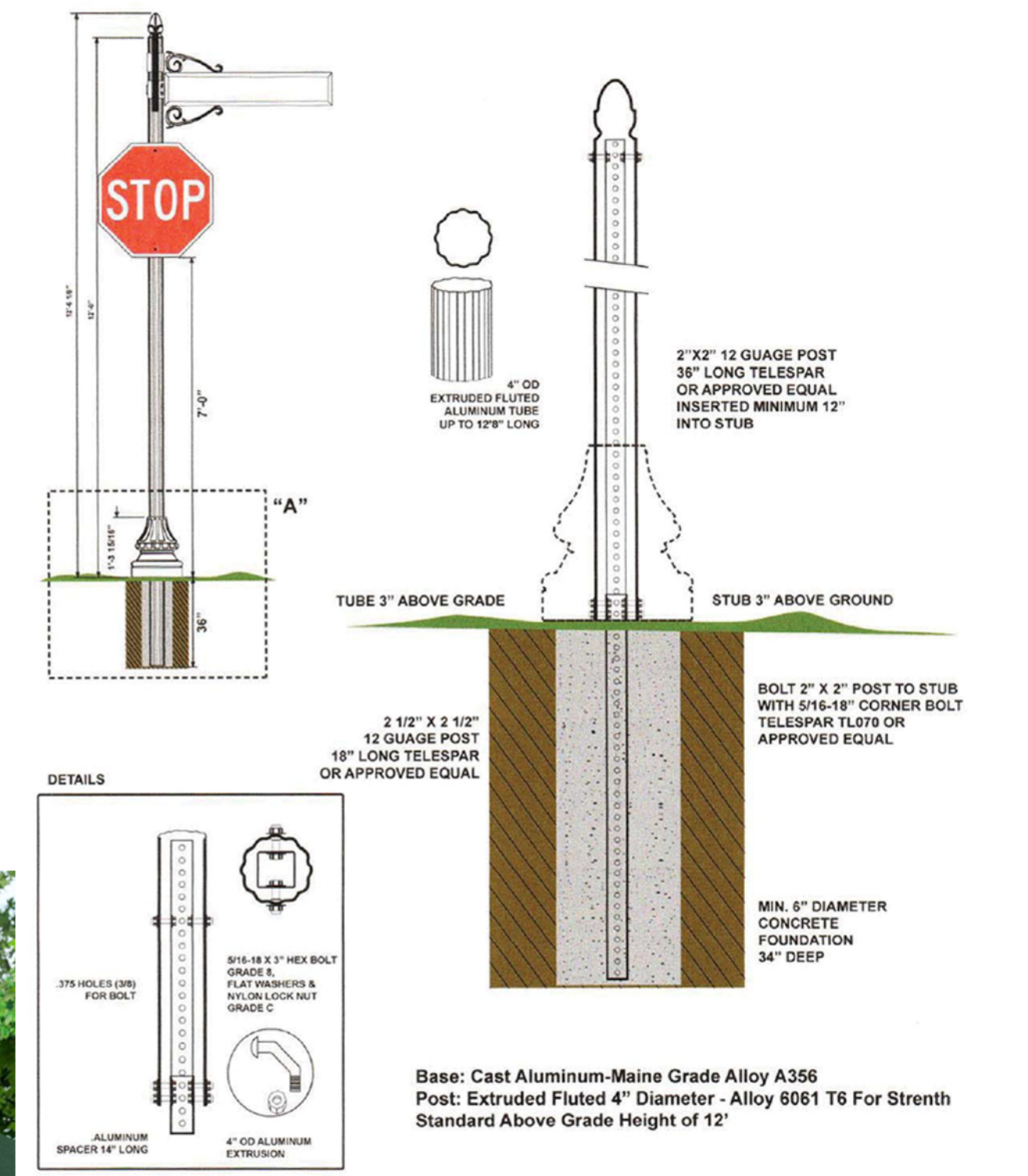
MAILBOX - AF Florence vogue™ Traditional Series VITAL™ 1570-8V2 VITAL™ 1570-16V2



4' FENCE - AMERISTAR Montage Plus ATF Majestic 3 Rail



4" FLUTED VDOT TRAFFIC SIGN



CUSTOMIZED PLAY STRUCTURE BY ALL RECREATION



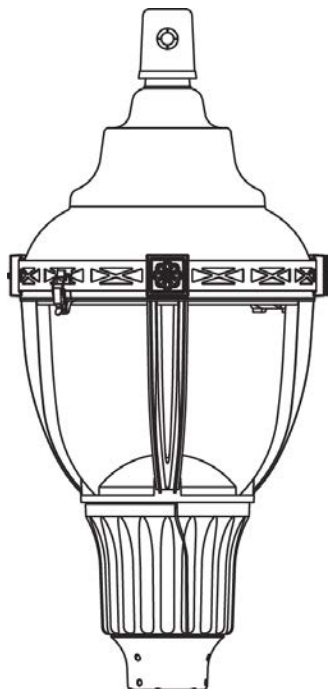




Catalog Number	
Notes	Type

## WFCL2

Utility Washington Series Luminaire  
Full Cutoff LED2



### Mechanical

- Heavy grade A360 cast aluminum (<1% copper)
- Tool-less access with a spring-loaded latch
- Hidden hinge door allowing the door to swing open and remain open
- Optional internal or external NEMA twist lock photocontrol receptacle. Housing contains a tempered glass window to allow light to reach the cell for internal versions.
- Mount to slip-fitter that will accept 3" high by 2-7/8" to 3-1/8" O.D. pole tenon
- Decorative top cover contains stainless steel hinge which secures entry the LED optical chamber
- Polyester power coat paint to ensure maximum durability
- Finish meets 5,000-hour salt spray testing
- Holophane and RAL Classic finishes.

### Electrical

- All surge protection meets ANSI/IEEE C62.41.2 10kV/10kA.
- Standard SPD meets 10kV/5kA per ANSI C136.2-2015.
- 20KV Option meets 20kV/10kA per ANSI C136.2-2015.
- Quick disconnect connectors for ease of installation and maintenance.
- Three pole terminal block is standard, with optional prewired leads for ease of installation
- LLED drivers meet maximum total harmonic distortion (THD) of 20%, >0.90 Power Factor and are ROHS compliant. Minimum operating temperature is -40C. Electronic driver has an estimated minimum life of 100,000 hours at 25°C.

### Optical

- IP65 rated optical compartment
- LED circuit board located in the top cover
- Asymmetric or Symmetric full cutoff distributions
- 2700K, 3000K, 4000K, and 5000K CCT
- 70CRI Standard

### Control Options

- Field Adjustable Output (AO) module - Onboard device that adjusts the light output and input wattage to meet site specific requirements. The AO module is preset at the factory to position number 8 (see chart).
- Wireless remote control for monitoring performance and/or maintenance of the system – ROAM
- Factory Programmed Driver (FPDxx) - Customize lumen output prior to manufacturing and still enables control leads so other options can also be used
- Long Life Photocontrols (PCLL) - 20 Year Life
- 3 and 7 pin photocontrol receptacles internally (P3, P7) or externally (P3E, P7E) mounted
- Part-night dimming (PND) enables luminaire to monitor and adjust 50% lumens based on season and geographic location, 8-day rolling average

### Testing/Compliance

- UL 1598 - Wet Locations Safety Listing
- Suitable for ambient temperatures -40°C to 40°C
- DesignLights Consortium® (DLC) qualified product. Not all versions of this product may be DLC qualified. Please check with the DLC Qualified Products List at [www.designlights.org/QPL](http://www.designlights.org/QPL) for updated list

### Manufacturing

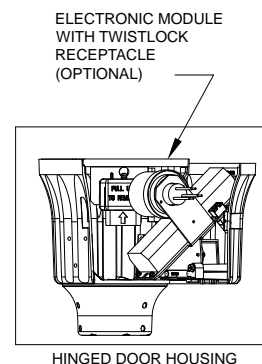
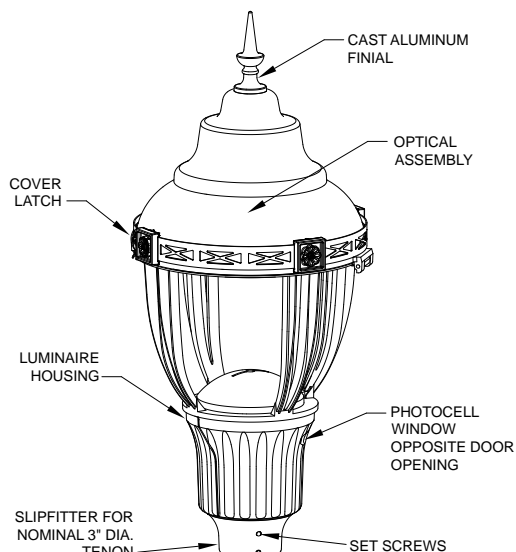
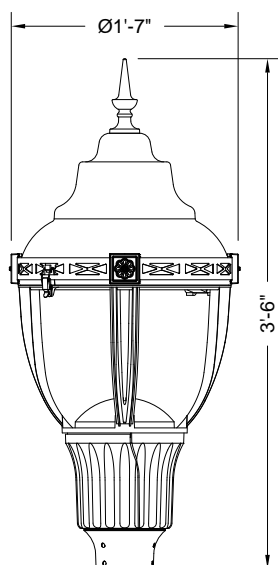
- Manufactured in Crawfordsville, Indiana, ARRA compliant
- 100% electrical testing on all luminaires before shipment
- Ten (10) years minimum experience in manufacturing LED based products

### Warranty

5-year limited warranty. Complete warranty terms located at: [www.acuitybrands.com/CustomerResources/Terms\\_and\\_Conditions.aspx](http://www.acuitybrands.com/CustomerResources/Terms_and_Conditions.aspx).

**Note:** Actual performance may differ as a result of end-user environment and application. All values are design or typical values, measured under laboratory conditions at 25°C. Specifications subject to change without notice.

## DIMENSIONAL DATA

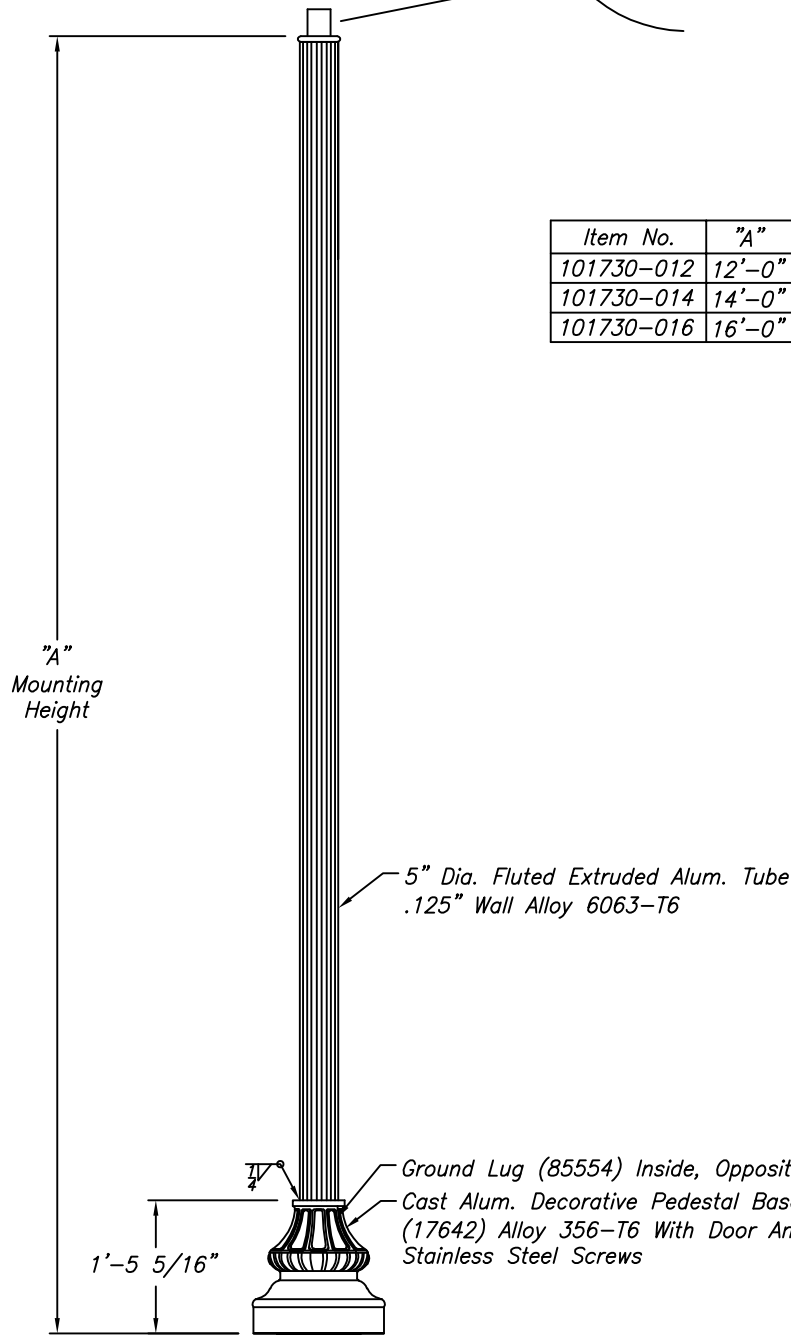
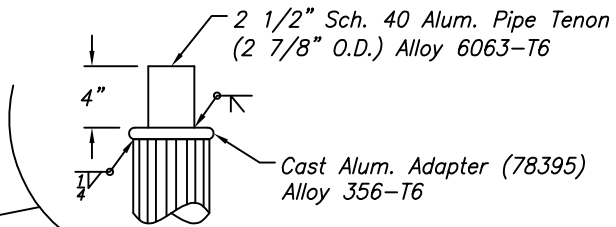


Maximum Weight - 57 lbs  
Maximum Effective Projected Area - 1.72 sq. ft.

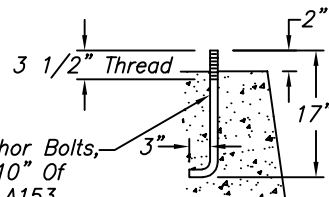
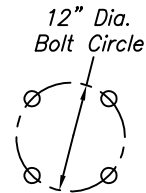
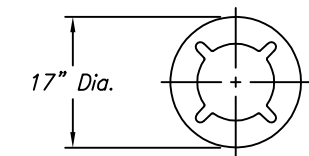
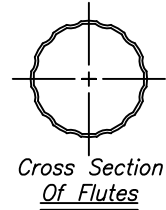


Model: L200M100-1000-1000-1000





Item No.	"A"
101730-012	12'-0"
101730-014	14'-0"
101730-016	16'-0"



- (4) 3/4"-10NC Galv. Stl. Anchor Bolts, AASHTO M314-90 Grade 55, 10" Of Threaded End Galv. Per ASTM A153.
- (4) 3/4"-10NC Galv. Stl. Hex. Nuts
- (4) 3/4" Galv. Stl. Lockwashers
- (4) 3/4" Galv. Stl. Flatwashers

Ref: 26973

**WARNING: DO NOT INSTALL LIGHTING POLES WITHOUT LUMINAIRES**

B101730

NO.	REVISIONS	DATE
1	Was Clamshell Base (tnb)	4/19

Abingdon, Va.

TITLE ARLEN SERIES LIGHT POLES

CUSTOMER Dominion Power

SCALE 16 DATE 02/08/2019

BY TNB DWG. NO.

CHK'D B101730







# American Revolution Deluxe Full Cutoff LED Series ARDCL

## PRODUCT OVERVIEW



### Features:

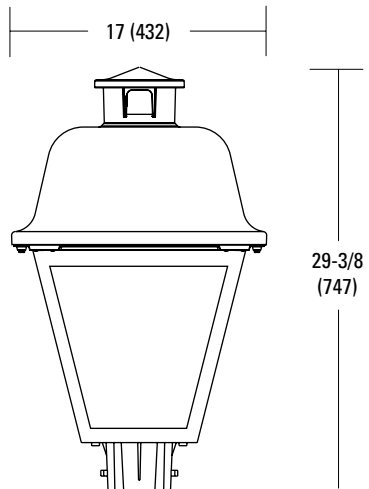
- Colonial LED lantern, replaces HID models up to 150W HPS for street and area lighting applications
- Eleven (11) LED performance packages deliver just the right amount of light for any given application up to 12,800 lumens
- Available in color temperature choices of 2700K, 3000K, 4000K, and 5000K
- Designed for up-light restrictive applications, ARDCL has zero up-light
- Four (4) distinct light distribution options provide design flexibility, available in Type II, Type III, Type IV, and Type V
- Die-cast aluminum housing, engineered for sturdy life-long performance
- Die-cast aluminum hood features a trigger latch (TL) option and captive thumb screws for fast, easy electrical and optical chamber access
- Standard paint finish is smooth / gloss
- Housing is tenon pole-mounted and designed for use with a 3" tall by 2-3/8" to 3" diameter tenon, and secured by three set screws.
- Rated L70, LED life greater than 100,000 hours at 25°C
- Complies with all applicable ANSI C136 standards
- CSA listed and suitable for up to 40°C ambient
- Surge protection device (standard) exceeds ANSI/IEEE C62.41-2002 Category C High (10kV/10kA) and ANSI C136.2-2015 Enhanced (10kV/5kA). 20KV Option exceeds ANSI/IEEE C62.41-2002 Category C High (10kV/10kA) and ANSI C136.2-2015 Extreme (20kV/10kA)
- Equipped with LED electronic 0-10V dimmable driver

### Applications:

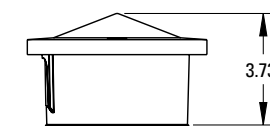
Streetscapes  
Walkways  
Pathways  
Parks



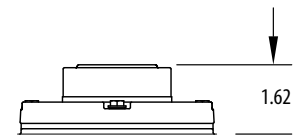
## DIMENSIONS



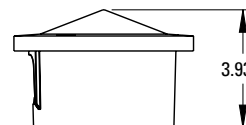
**Effective Projected Area (EPA)**  
The EPA for the ARDCL 1.35 sq. ft.  
P5 or P7 option total height is 24.9 (633).  
Approx. Wt. = 39 lbs.



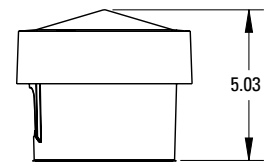
Cupola height  
P3 without ROAM  
Shown in line diagram



No Cupola height  
XC Option



Cupola height  
P5/P7 without ROAM



Cupola height  
P5/P7 with ROAM

*All dimensions are inches (millimeters) unless otherwise noted.*



