

Material Specifications

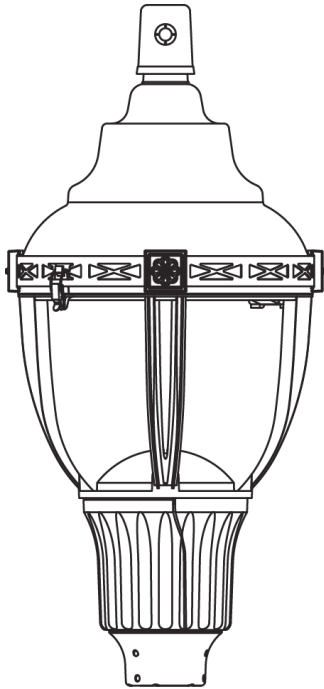




Catalog Number	
Notes	Type

WFCL2

Utility Washington Series Luminaire
Full Cutoff LED2



Mechanical

- Heavy grade A360 cast aluminum (<1% copper)
- Tool-less access with a spring-loaded latch
- Hidden hinge door allowing the door to swing open and remain open
- Optional internal or external NEMA twist lock photocontrol receptacle. Housing contains a tempered glass window to allow light to reach the cell for internal versions.
- Mount to slip-fitter that will accept 3" high by 2-7/8" to 3-1/8" O.D. pole tenon
- Decorative top cover contains stainless steel hinge which secures entry the LED optical chamber
- Polyester power coat paint to ensure maximum durability
- Finish meets 5,000-hour salt spray testing
- Holophane and RAL Classic finishes.

Electrical

- All surge protection meets ANSI/IEEE C62.41.2 10kV/10kA.
- Standard SPD meets 10kV/5kA per ANSI C136.2-2015.
- 20KV Option meets 20kV/10kA per ANSI C136.2-2015.
- Quick disconnect connectors for ease of installation and maintenance.
- Three pole terminal block is standard, with optional prewired leads for ease of installation
- LLED drivers meet maximum total harmonic distortion (THD) of 20%, >0.90 Power Factor and are ROHS compliant. Minimum operating temperature is -40C. Electronic driver has an estimated minimum life of 100,000 hours at 25°C.

Optical

- IP65 rated optical compartment
- LED circuit board located in the top cover
- Asymmetric or Symmetric full cutoff distributions
- 2700K, 3000K, 4000K, and 5000K CCT
- 70CRI Standard

Control Options

- Field Adjustable Output (AO) module - Onboard device that adjusts the light output and input wattage to meet site specific requirements. The AO module is preset at the factory to position number 8 (see chart).
- Wireless remote control for monitoring performance and/or maintenance of the system – ROAM
- Factory Programmed Driver (FPDxx) - Customize lumen output prior to manufacturing and still enables control leads so other options can also be used
- Long Life Photocontrols (PCLL) - 20 Year Life
- 3 and 7 pin photocontrol receptacles internally (P3, P7) or externally (P3E, P7E) mounted
- Part-night dimming (PND) enables luminaire to monitor and adjust 50% lumens based on season and geographic location, 8-day rolling average

Testing/Compliance

- UL 1598 - Wet Locations Safety Listing
- Suitable for ambient temperatures -40°C to 40°C
- DesignLights Consortium® (DLC) qualified product. Not all versions of this product may be DLC qualified. Please check with the DLC Qualified Products List at www.designlights.org/QPL for updated list

Manufacturing

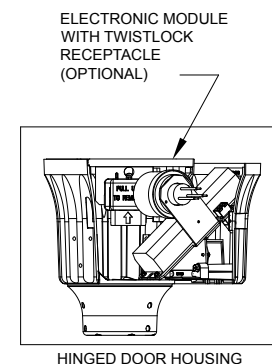
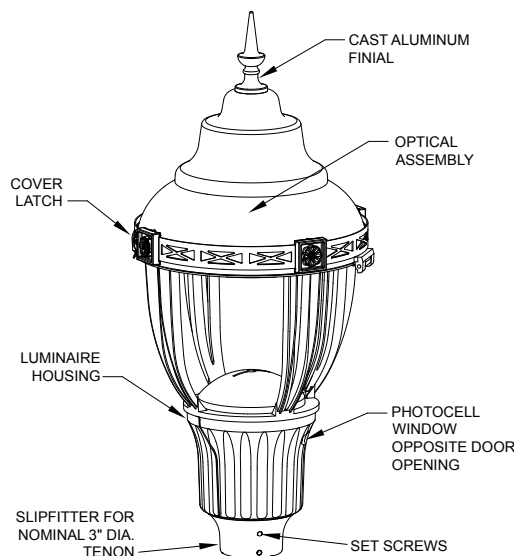
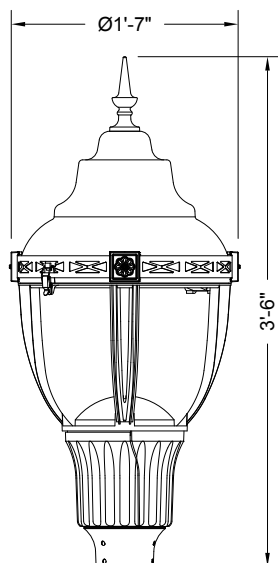
- Manufactured in Crawfordsville, Indiana, ARRA compliant
- 100% electrical testing on all luminaires before shipment
- Ten (10) years minimum experience in manufacturing LED based products

Warranty

5-year limited warranty. Complete warranty terms located at: www.acuitybrands.com/CustomerResources/Terms_and_Conditions.aspx.

Note: Actual performance may differ as a result of end-user environment and application. All values are design or typical values, measured under laboratory conditions at 25°C. Specifications subject to change without notice.

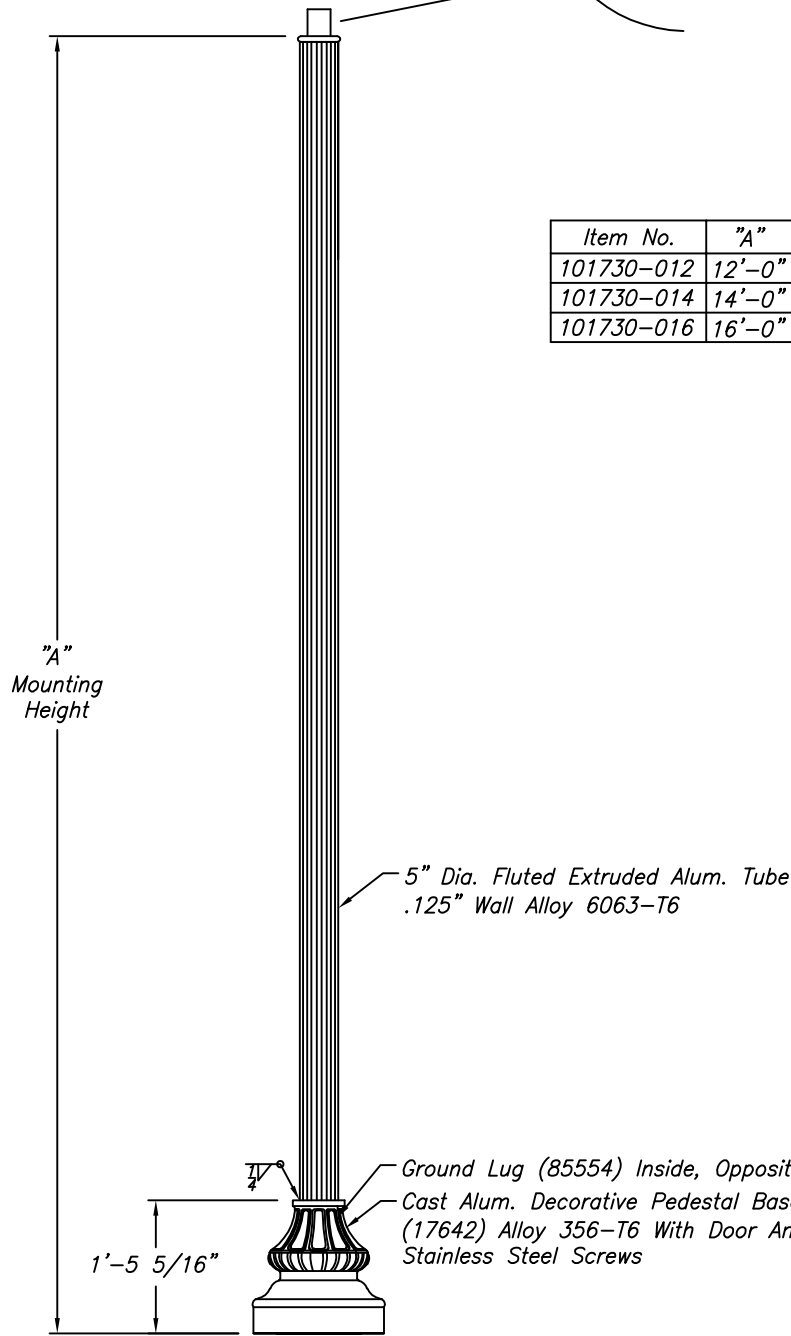
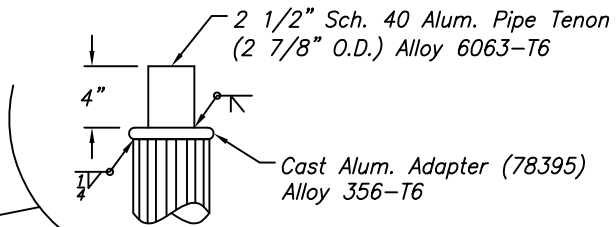
DIMENSIONAL DATA



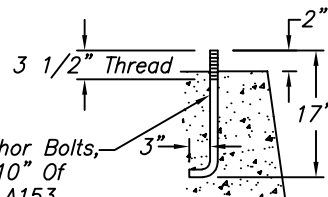
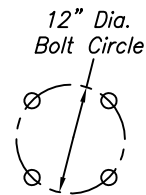
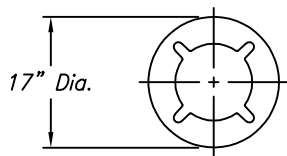
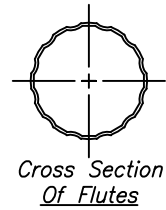
Maximum Weight - 57 lbs
Maximum Effective Projected Area - 1.72 sq. ft.



Model: L200M100-1000-1000-1000-1000



Item No.	"A"
101730-012	12'-0"
101730-014	14'-0"
101730-016	16'-0"



- (4) 3/4"-10NC Galv. Stl. Anchor Bolts, AASHTO M314-90 Grade 55, 10" Of Threaded End Galv. Per ASTM A153.
- (4) 3/4"-10NC Galv. Stl. Hex. Nuts
- (4) 3/4" Galv. Stl. Lockwashers
- (4) 3/4" Galv. Stl. Flatwashers

Ref: 26973

WARNING: DO NOT INSTALL LIGHTING POLES WITHOUT LUMINAIRES

NO.	REVISIONS	DATE
1	Was Clamshell Base (tnb)	4/19

hapco
Abingdon, Va.

TITLE ARLEN SERIES LIGHT POLES	
CUSTOMER Dominion Power	
SCALE 16	DATE 02/08/2019
BY TNB	DWG. NO.
CHK'D	B101730

B101730



American Revolution Deluxe Full Cutoff LED Series ARDCL

PRODUCT OVERVIEW



Features:

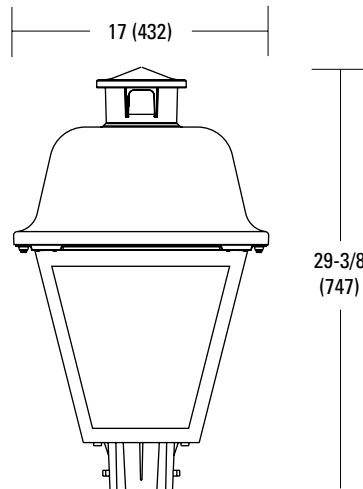
- Colonial LED lantern, replaces HID models up to 150W HPS for street and area lighting applications
- Eleven (11) LED performance packages deliver just the right amount of light for any given application up to 12,800 lumens
- Available in color temperature choices of 2700K, 3000K, 4000K, and 5000K
- Designed for up-light restrictive applications, ARDCL has zero up-light
- Four (4) distinct light distribution options provide design flexibility, available in Type II, Type III, Type IV, and Type V
- Die-cast aluminum housing, engineered for sturdy life-long performance
- Die-cast aluminum hood features a trigger latch (TL) option and captive thumb screws for fast, easy electrical and optical chamber access
- Standard paint finish is smooth / gloss
- Housing is tenon pole-mounted and designed for use with a 3" tall by 2-3/8" to 3" diameter tenon, and secured by three set screws.
- Rated L70, LED life greater than 100,000 hours at 25°C
- Complies with all applicable ANSI C136 standards
- CSA listed and suitable for up to 40°C ambient
- Surge protection device (standard) exceeds ANSI/IEEE C62.41-2002 Category C High (10kV/10kA) and ANSI C136.2-2015 Enhanced (10kV/5kA). 20KV Option exceeds ANSI/IEEE C62.41-2002 Category C High (10kV/10kA) and ANSI C136.2-2015 Extreme (20kV/10kA)
- Equipped with LED electronic 0-10V dimmable driver

Applications:

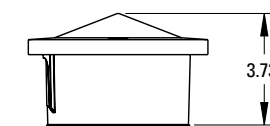
Streetscapes
Walkways
Pathways
Parks



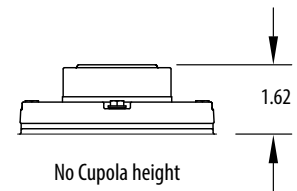
DIMENSIONS



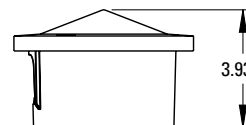
Effective Projected Area (EPA)
The EPA for the ARDCL 1.35 sq. ft.
P5 or P7 option total height is 24.9 (633).
Approx. Wt. = 39 lbs.



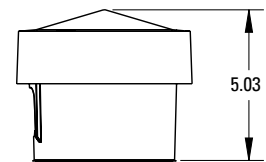
Cupola height
P3 without ROAM
Shown in line diagram



No Cupola height
XC Option



Cupola height
P5/P7 without ROAM

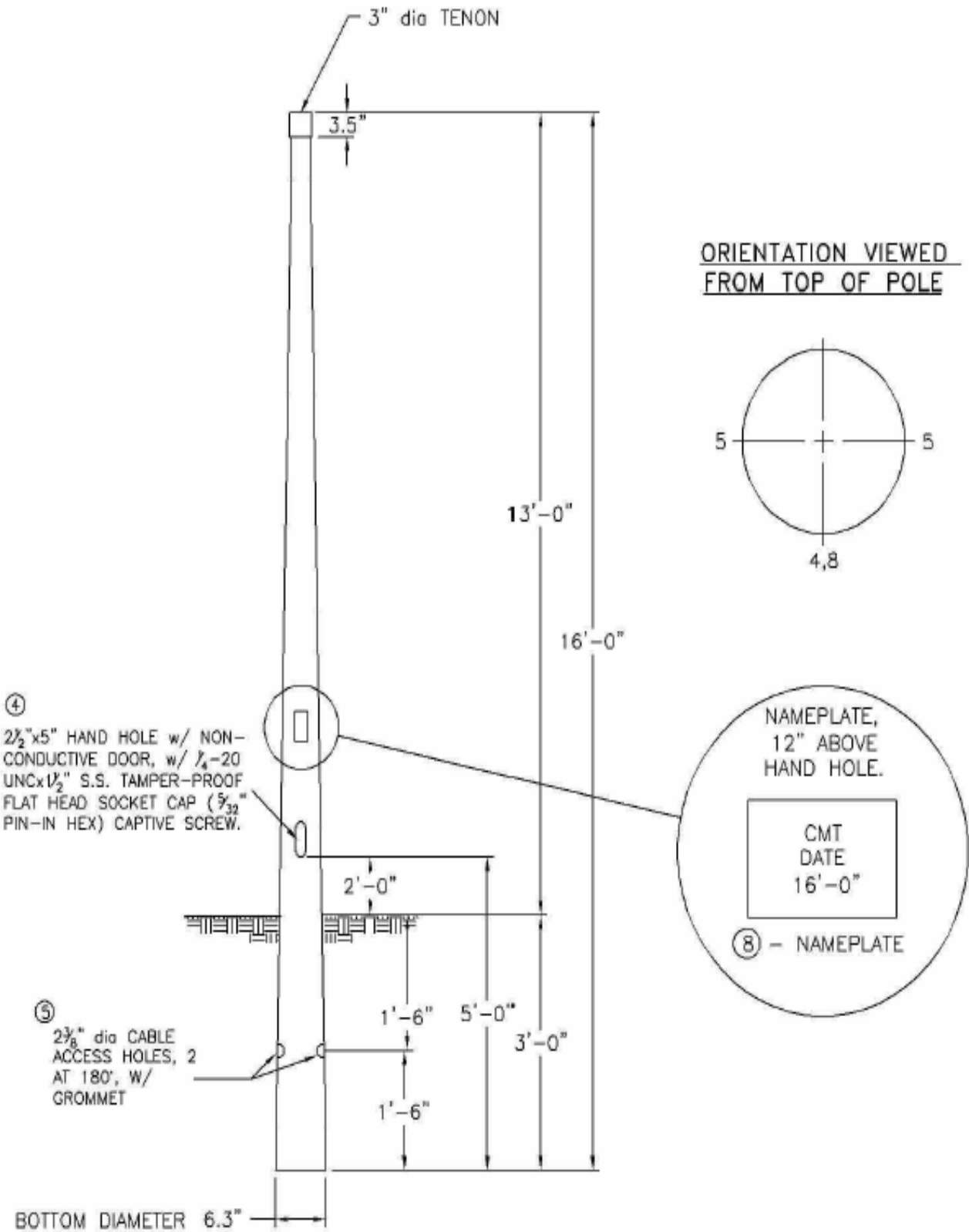


Cupola height
P5/P7 with ROAM

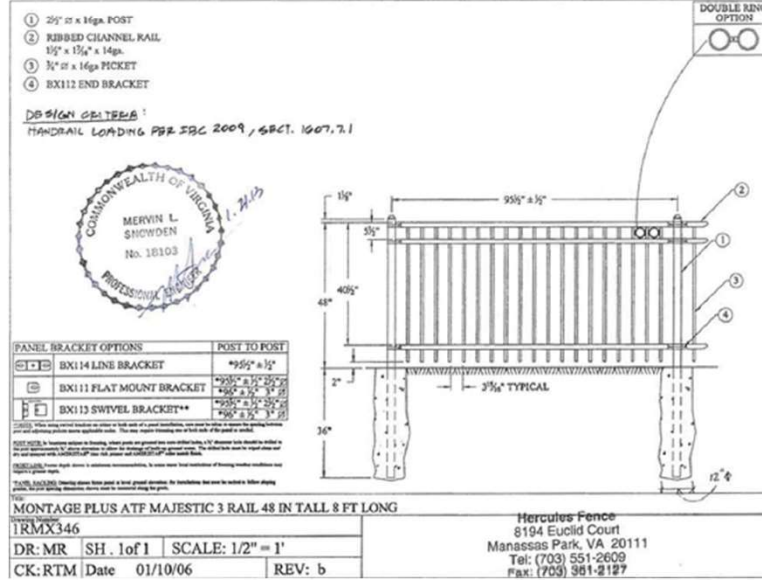
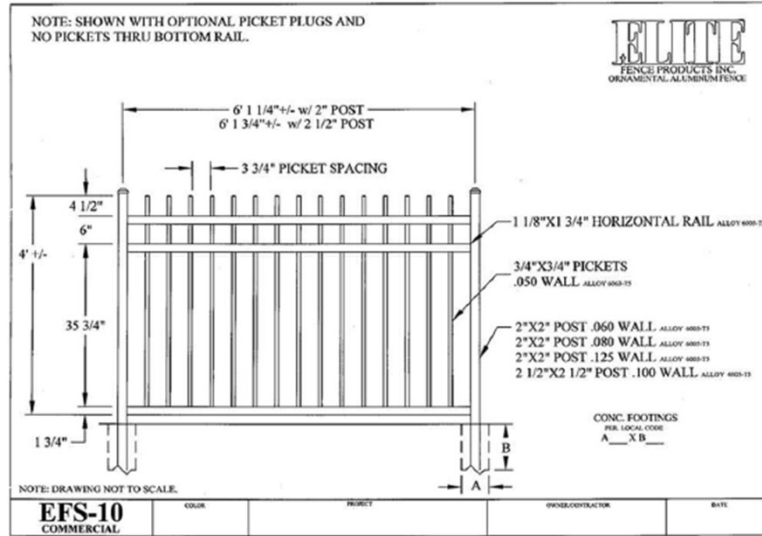
All dimensions are inches (millimeters) unless otherwise noted.

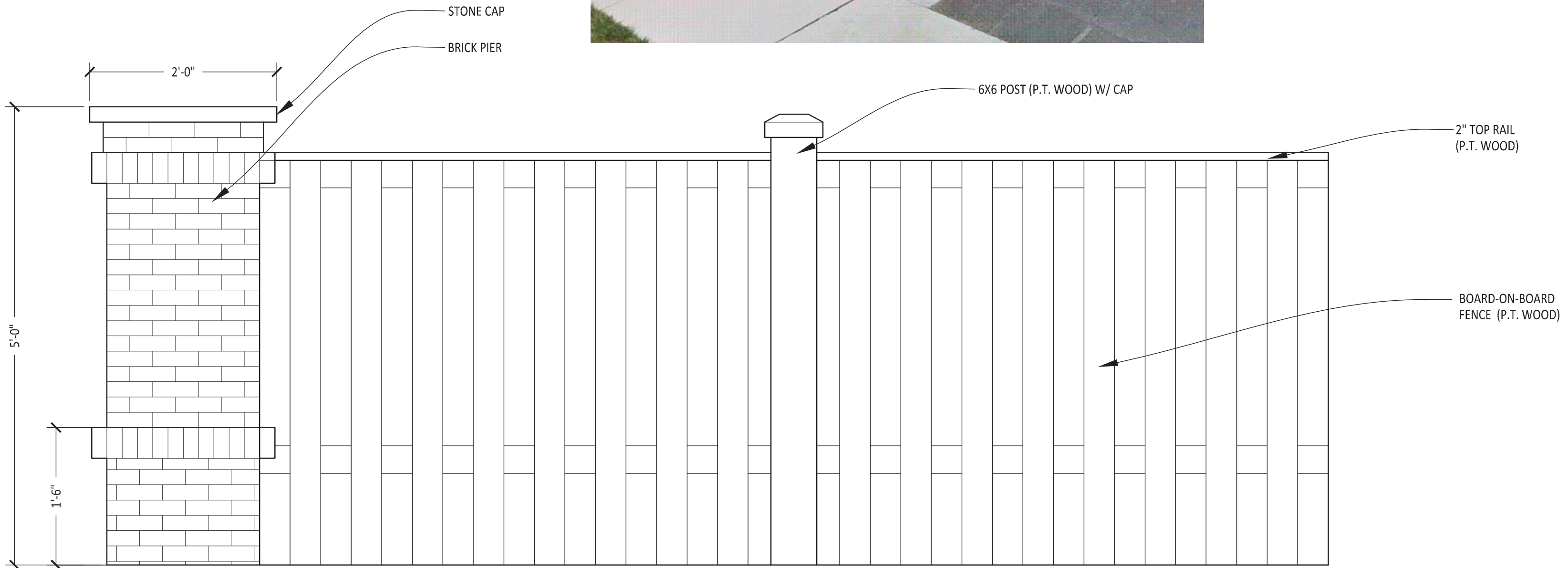


16' Direct Embed Composite Pole



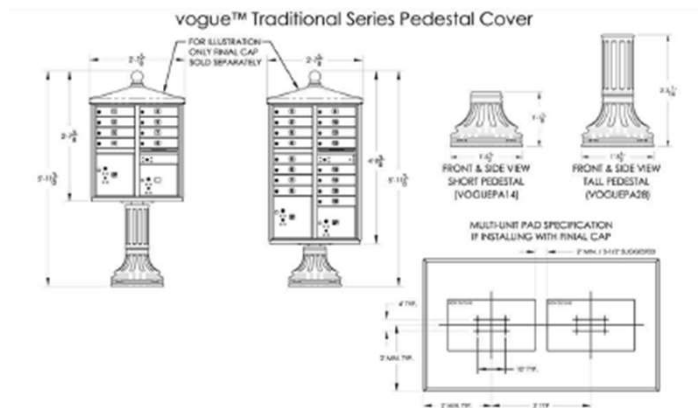
Landscape Features Ornamental Fencing





3 WOOD PRIVACY FENCE WITH MASONRY PIER
NTS

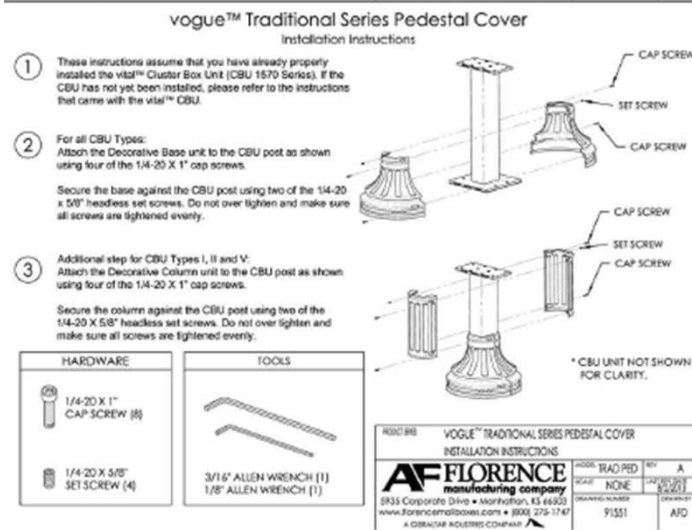
Landscape Features Mailboxes



NOTES:

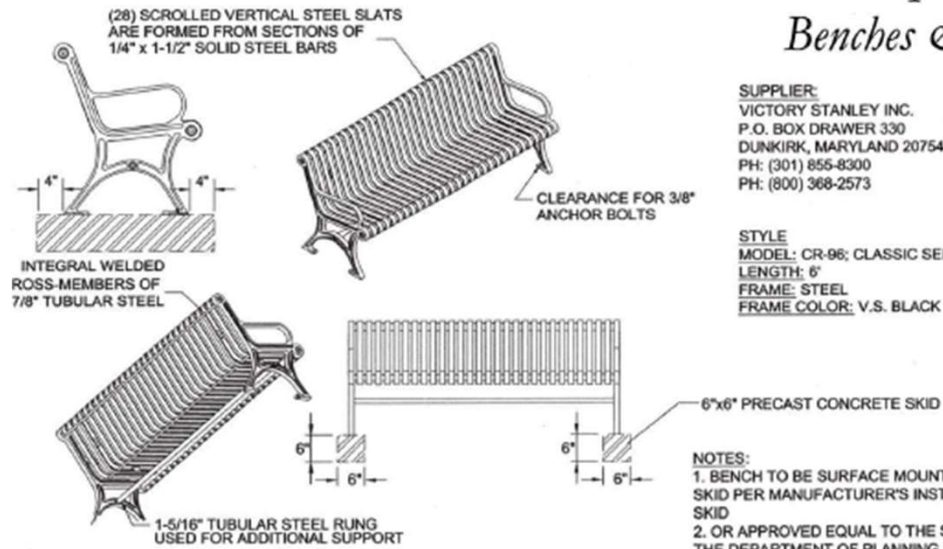
1. CBU & PEDESTAL MUST BE ASSEMBLED AND FULLY INSTALLED PRIOR TO ADDING ACCESSORIES.
2. TRADITIONAL CAP AND BASE PEDESTAL COVER SOLD SEPARATELY.
3. AVAILABLE IN ALL STANDARD CBU POWDER COAT FINISHES.
4. TRADITIONAL PEDESTAL COVER INSTALLED USING CAP SCREWS & SET SCREWS (INCLUDED).
5. TRADITIONAL PEDESTAL COVER DESIGNED TO FIT OVER FLORENCE 1570 SERIES CBU PEDESTAL.

VOGUE™ TRADITIONAL SERIES PEDESTAL COVER INSTALLATION INSTRUCTIONS			
	MODEL: TRAD PED SCALE: NONE DRAWING NUMBER: 91551	REV: A DATE: 03/2017 DRAWN BY: AFD	APPROVED BY:
	3933 Corporate Drive • Marlborough, MA 01752 www.florencemailboxes.com • 800.275.1747 A GIBBS&IRVING COMPANY		



VOGUE™ TRADITIONAL SERIES PEDESTAL COVER INSTALLATION INSTRUCTIONS			
	MODEL: TRAD PED SCALE: NONE DRAWING NUMBER: 91551	REV: A DATE: 03/2017 DRAWN BY: AFD	APPROVED BY:
	3933 Corporate Drive • Marlborough, MA 01752 www.florencemailboxes.com • 800.275.1747 A GIBBS&IRVING COMPANY		

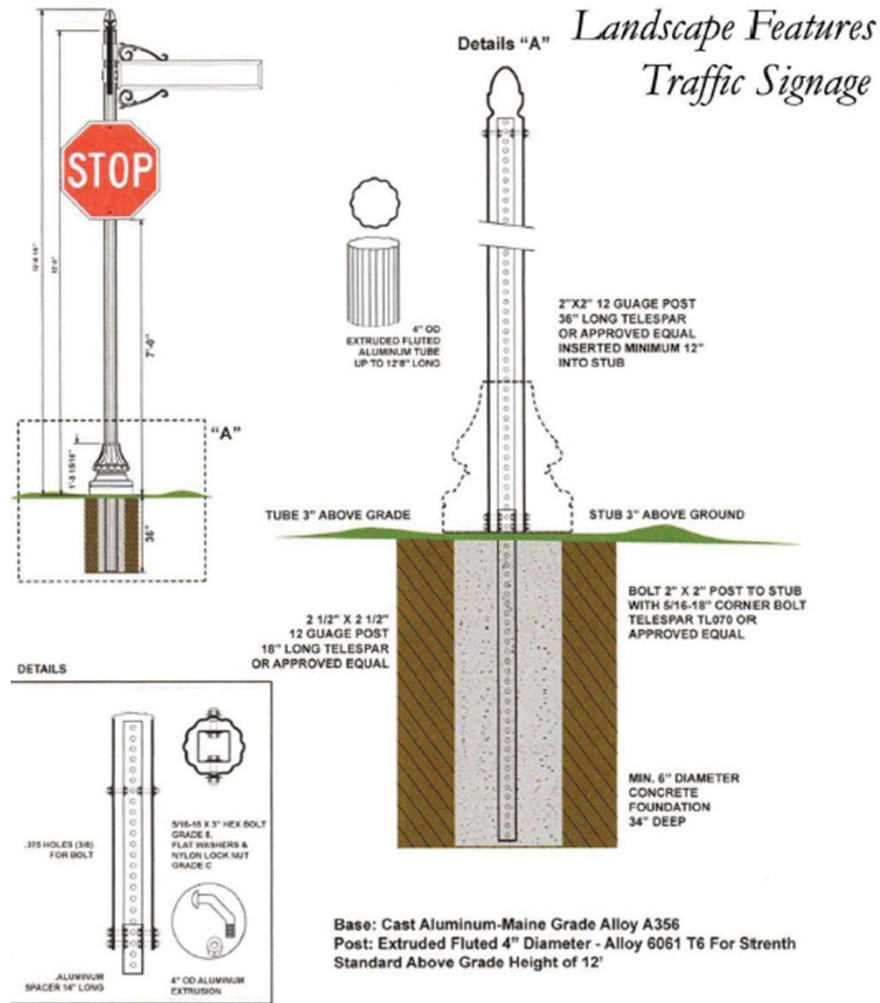
Landscape Features Benches & Arbors



SUPPLIER:
VICTORY STANLEY INC.
P.O. BOX DRAWER 330
DUNKIRK, MARYLAND 20754
PH: (301) 855-8300
PH: (800) 368-2573

STYLE
MODEL: CR-96; CLASSIC SERIES C SERIES
LENGTH: 6'
FRAME: STEEL
FRAME COLOR: V.S. BLACK

- NOTES:
1. BENCH TO BE SURFACE MOUNTED TO CONCRETE SKID PER MANUFACTURER'S INSTRUCTIONS. BURY SKID
 2. OR APPROVED EQUAL TO THE SATISFACTION OF THE DEPARTMENT OF PLANNING AND ZONING AND/OR DEPARTMENT OF RECREATION, PARKS, AND CULTURAL ACTIVITIES.
 3. SEE PLAN FOR QUANTITY.



**4" Fluted VDOT Install
Spec Sheet**

Landscape Feature
Tot Lot

800.244.1230



SPECIFICATIONS

Certifications/Qualifications

Energy Star	Yes
Title 20 Compliant	Yes
	www.kichler.com/warranty

Dimensions

Base Backplate	4.75 X 5.00
Extension	6.50"
Weight	2.95 LBS
Height	10.25"
Width	6.00"

Light Source

Dimmable	Yes
Lamp Included	Included
Lamp Type	A19
Light Source	LED
Max or Nominal Watt	10W
# of Bulbs/LED Modules	1
Socket Type	Medium
Socket Wire	150"

Mounting/Installation

Interior/Exterior	Exterior
Location Rating	Wet
Mounting Style	Wall Mount
Mounting Weight	1.63 LBS

Photometrics

Color Rendering Index	92
Kelvin Temperature	3000K

FIXTURE ATTRIBUTES

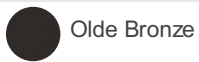
Housing

Diffuser Description	Satin Etched
Primary Material	Aluminum

Product/Ordering Information

SKU	49686OZL18
Finish	Olde Bronze
Style	Transitional
UPC	783927563550

Finish Options



ALSO IN THIS FAMILY



49686BKL18



49690BK



49686BK



49687BK



49688BK

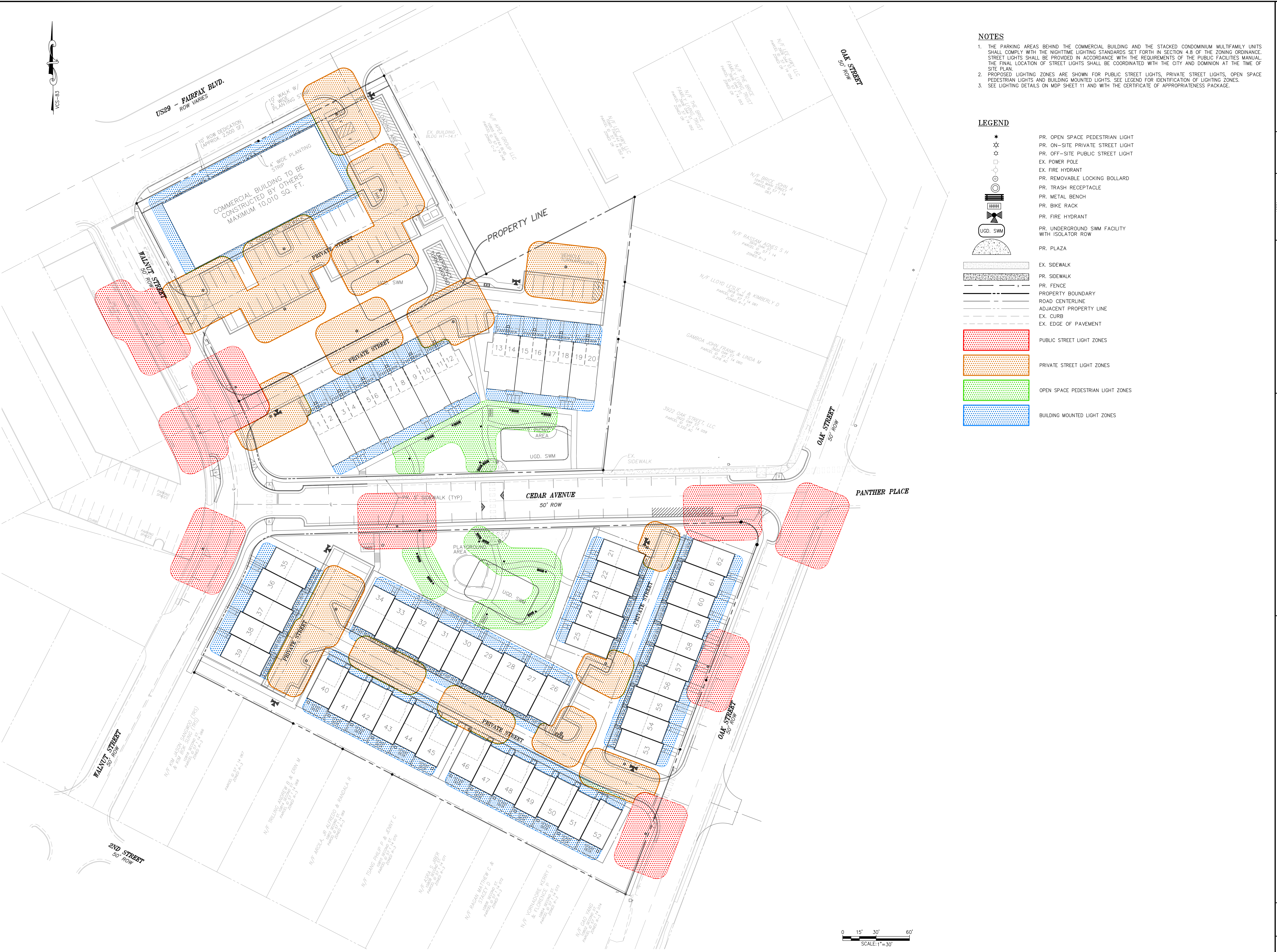


49689BK

Lighting Plan



FILE PATH: S:\Projects\001271_Breezeway_Motel\Civil\Design\1271-REZONING MASTER DEVELOPMENT PLAN\01271 -Breezeway - 18 - Lighting Concept.dwg PLOT DATE: 12/20/2021 4:48:57 PM BY: CHRIS NEIFERT



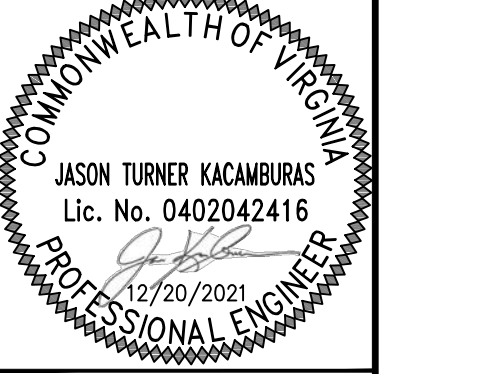
NOTES

1. THE PARKING AREAS BEHIND THE COMMERCIAL BUILDING AND THE STACKED CONDOMINIUM MULTIFAMILY UNITS SHALL COMPLY WITH THE NIGHTTIME LIGHTING STANDARDS SET FORTH IN SECTION 4.8 OF THE ZONING ORDINANCE. STREET LIGHTS SHALL BE PROVIDED IN ACCORDANCE WITH THE REQUIREMENTS OF THE PUBLIC FACILITIES MANUAL. THE FINAL LOCATION OF STREET LIGHTS SHALL BE COORDINATED WITH THE CITY AND DOMINION AT THE TIME OF SITE PLAN.
2. PROPOSED LIGHTING ZONES ARE SHOWN FOR PUBLIC STREET LIGHTS, PRIVATE STREET LIGHTS, OPEN SPACE PEDESTRIAN LIGHTS AND BUILDING MOUNTED LIGHTS. SEE LEGEND FOR IDENTIFICATION OF LIGHTING ZONES.
3. SEE LIGHTING DETAILS ON MDP SHEET 11 AND WITH THE CERTIFICATE OF APPROPRIATENESS PACKAGE.

LEGEND

- PR. OPEN SPACE PEDESTRIAN LIGHT
- PR. ON-SITE PRIVATE STREET LIGHT
- PR. OFF-SITE PUBLIC STREET LIGHT
- EX. POWER POLE
- EX. FIRE HYDRANT
- PR. REMOVABLE LOCKING BOLLARD
- PR. TRASH RECEPTACLE
- PR. METAL BENCH
- PR. BIKE RACK
- PR. FIRE HYDRANT
- PR. UNDERGROUND SWM FACILITY WITH ISOLATOR ROW
- PR. PLAZA
- EX. SIDEWALK
- PR. SIDEWALK
- PR. FENCE
- PROPERTY BOUNDARY
- ROAD CENTERLINE
- ADJACENT PROPERTY LINE
- EX. CURB
- EX. EDGE OF PAVEMENT
- PUBLIC STREET LIGHT ZONES
- PRIVATE STREET LIGHT ZONES
- OPEN SPACE PEDESTRIAN LIGHT ZONES
- BUILDING MOUNTED LIGHT ZONES

SUBMISSION		REVISION	
NO.	DATE	NO.	DESCRIPTION
1	6/6/2019	1	ADDRESS CITY COMMENTS
2	6/7/2019	2	ADDRESS CITY COMMENTS
3	9/20/2019	3	ADDRESS CITY COMMENTS
4	11/2/2020	4	ADDRESS CITY COMMENTS
5	7/23/2021	5	ADDRESS CITY COMMENTS
6	10/7/2021	6	ADDRESS CITY COMMENTS
7	10/19/2021	7	ADDRESS CITY COMMENTS
8	11/17/2021	8	ADDRESS CITY COMMENTS



CLIENT
 PULTE HOME COMPANY LLC
 9302 LEE HIGHWAY, SUITE 1000
 FAIRFAX, VA 22031

ATCS
 13861 SUNRISE VALLEY DRIVE, SUITE 200
 HERNDON, VIRGINIA 20171
 (703) 430-7500 FAX (703) 430-0889
 HERNDON - LARGO - BALTIMORE
 BLACKSBURG - RALEIGH - RICHMOND
 WWW.ATCSPLC.COM

MASTER LIGHTING CONCEPT PLAN
RT. 50 BREEZEWAY
 MASTER DEVELOPMENT PLAN
 LOCATION
 FAIRFAX CITY, VIRGINIA

AUTHOR: ZME
 CHECK: JTK
 PROJ.#: 001271
 DATE: 10/30/2020
 SCALE: 1"=30'

SHEET: 18 of 21

