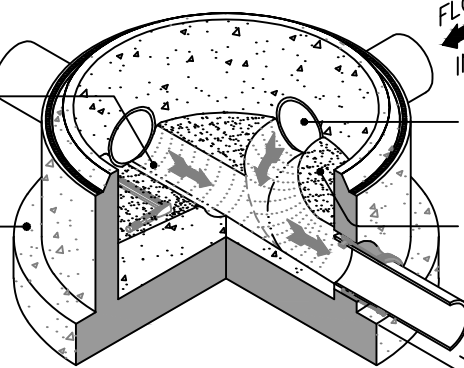


PLAN VIEWS

SLOPE OF CHANNEL
THRU MANHOLE =
0.20' FALL UNLESS
SHOWN OTHERWISE
ON PLANS.



EXTENDED BASE



PRECAST OPENING REQUIRED
FOR ALL PIPES.
SEE PLANS FOR PIPE SIZES.

SLOPE SHELF 1"/FT MAX.



2" MIN.

ISOMETRIC VIEW

NOTES:

1. Concrete benches should be no lower than the pipe spring line elevation at manhole wall.
2. Service line entries to have cast in place troughs.
3. Radius of invert must have enough room to be able to insert air plugs and TV equipment.
4. Concrete strength to be 4,000 PSI minimum.



Department of Public Works
10455 Armstrong Street
Fairfax, VA 22030-3630

CITY of FAIRFAX

USE WITH THE FAIRFAX STANDARD SPECIFICATIONS ONLY

Voice (703) 385-7810
FAX (703) 591-5727
www.fairfaxva.gov

**STANDARD SEWER INVERT
PLANS FOR MANHOLE**

SCALE:
Not To Scale

DETAIL #
4.05

REVISION DATE:
February 2017

SHEET #:
1 of 1