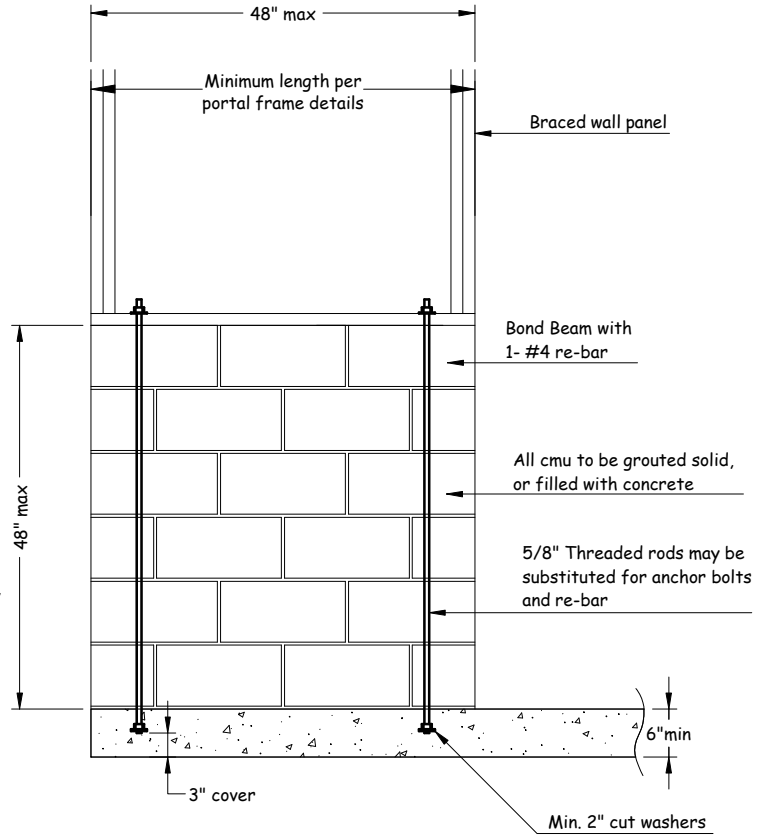
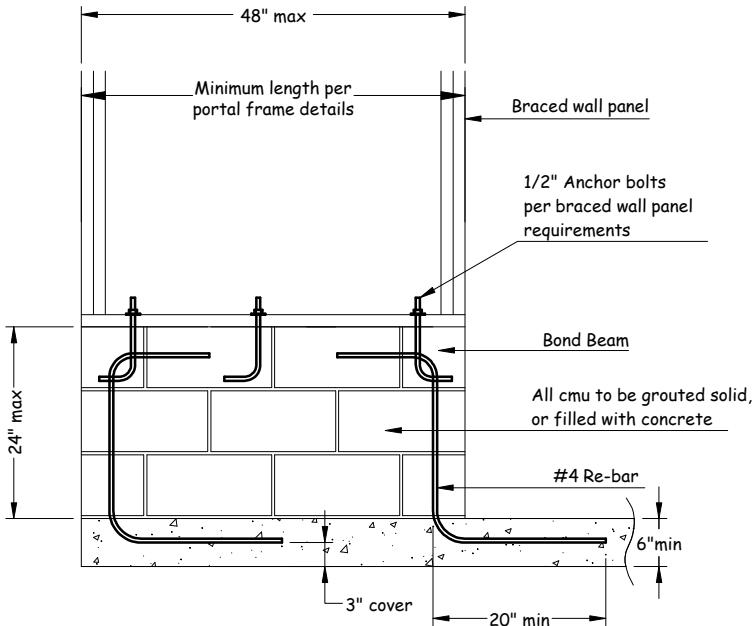


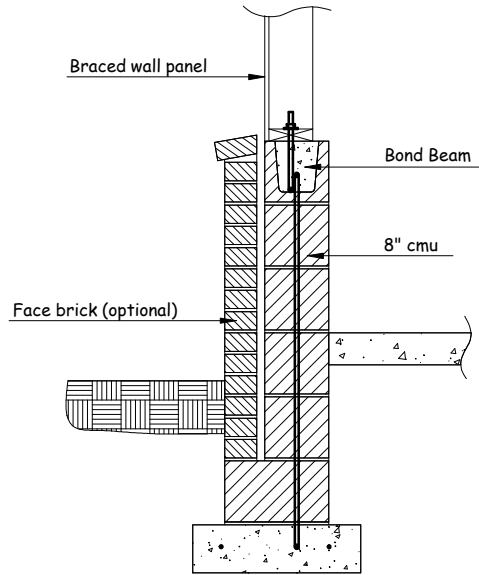
Tall Stemwall Reinforcement



Optional Stemwall Reinforcement



Short Stemwall Reinforcement



Typical Stemwall Section

Notes:

1. Stemwall reinforcement must extend into the concrete footer, or min. 8" thick concrete basement wall.
2. The maximum stemwall heights shown are to be measured above the footer, or the top of a concrete basement wall.
3. Configurations outside the parameters shown, will require an engineered design.