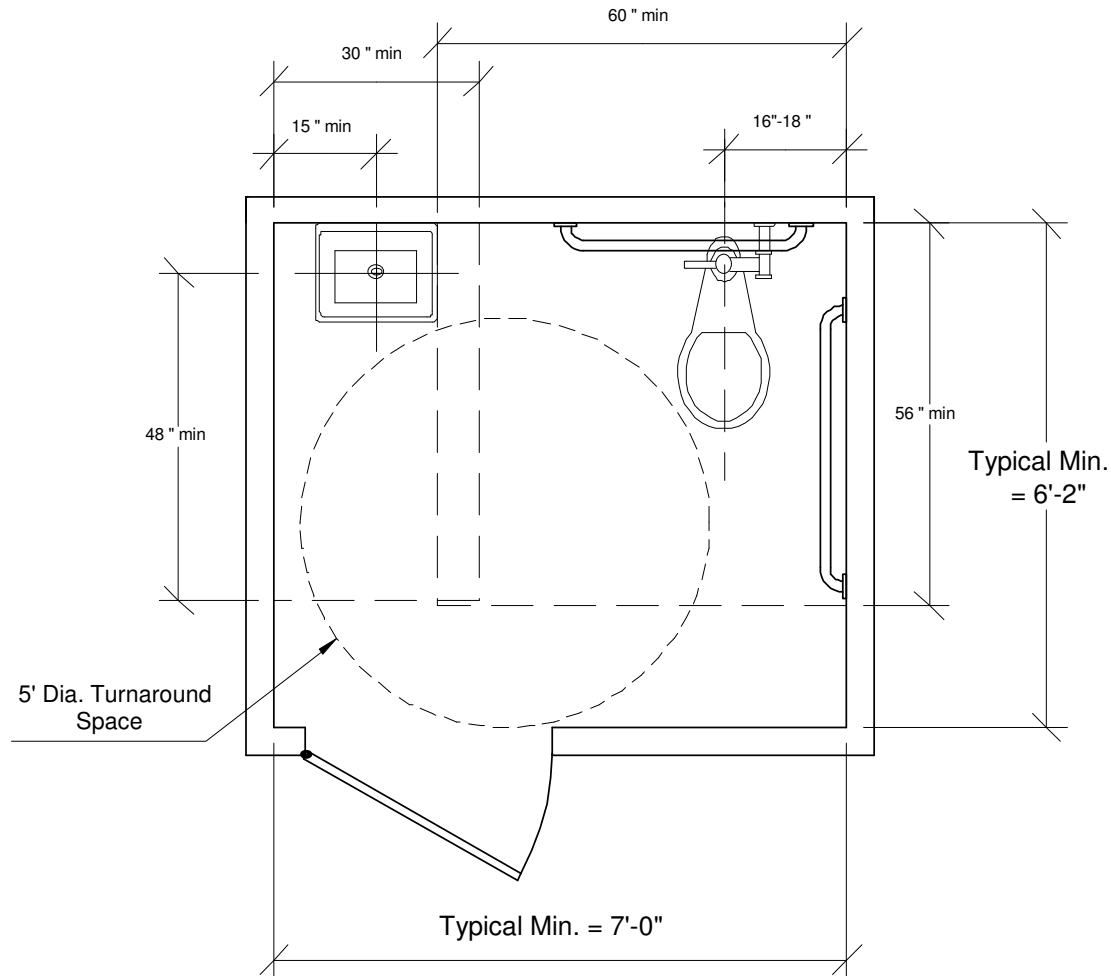


Typical Accessible Toilet Room

Based upon ICC A117.1-2003



- A minimum clear floor space of 60"x 56" is required for the WC.
- The lavatory requires a minimum clear floor space of 30" x 48".
- The clear floor spaces may overlap as shown in the drawing above. The amount of overlap will depend upon the width of the lavatory.
- Typical minimum inside dimensions for an accessible toilet room are 84"wide by 74" deep.

This is not the **only** configuration which will meet the accessibility requirements of the building code. Please contact the Code Administration Department at 703 385-7830 if you have questions about accessible toilet rooms.

